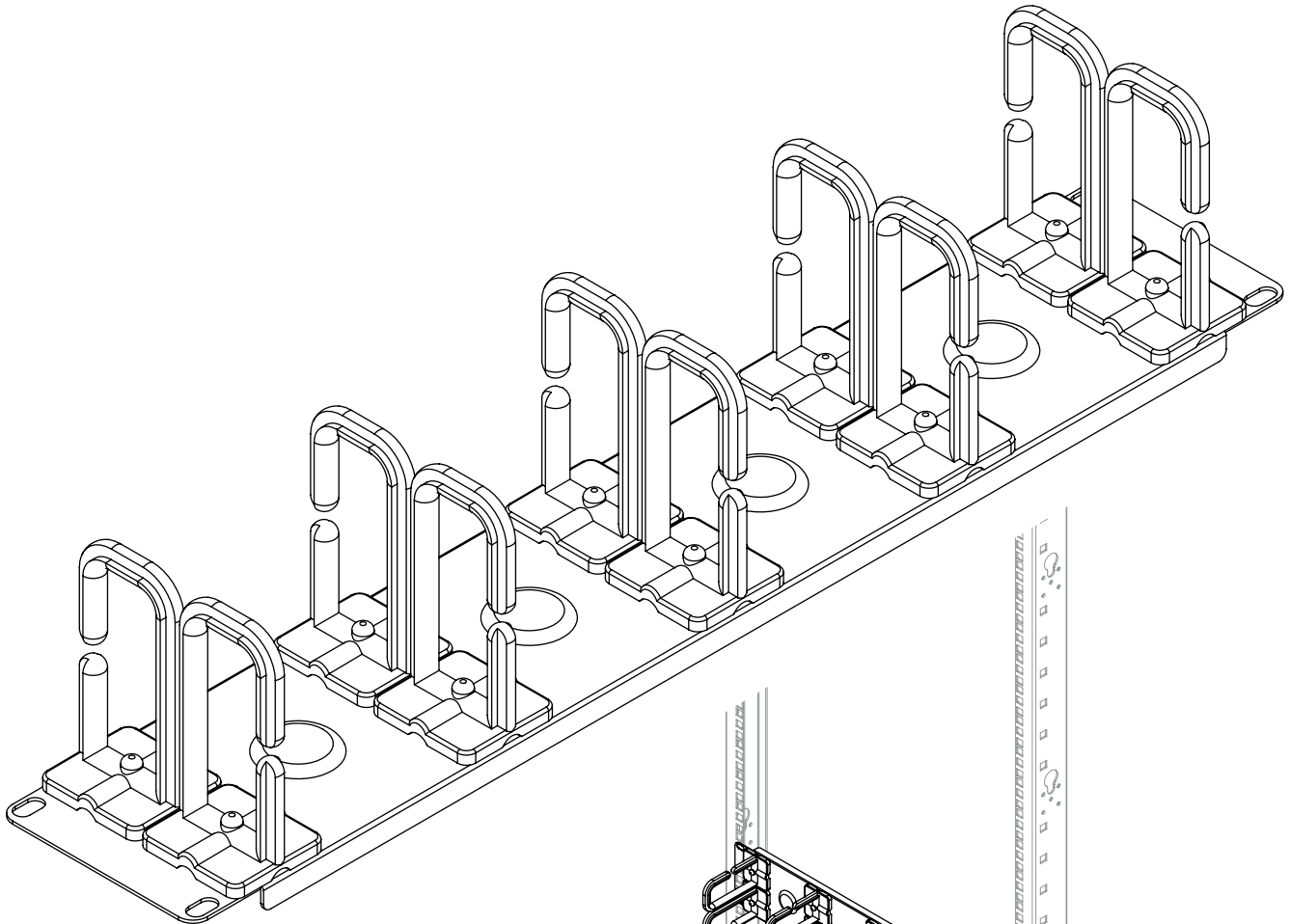


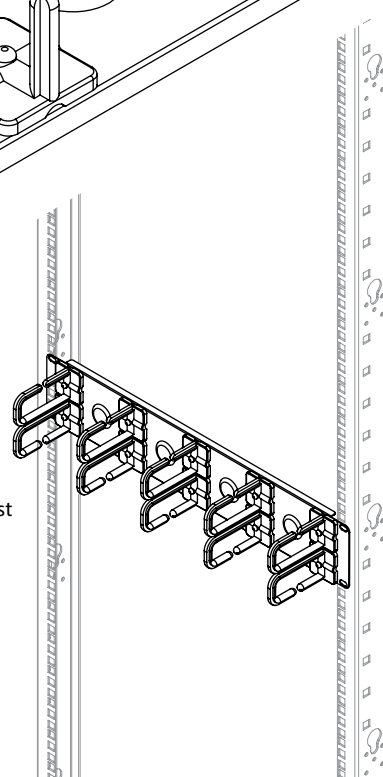
MODEL:

SRCABLERING2U

Horizontal Cable Manager (Flexible Ring Type)



SRCABLERING2U organizes cables and helps eliminate cable stress. It is compatible with most standard 19" enclosures and open frame racks. Includes mounting hardware.



Specifications



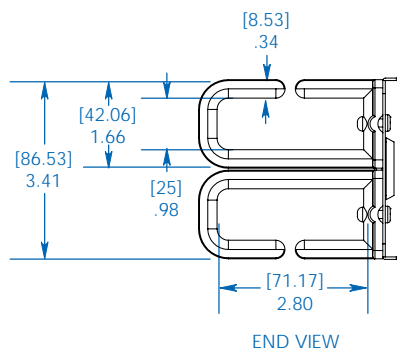
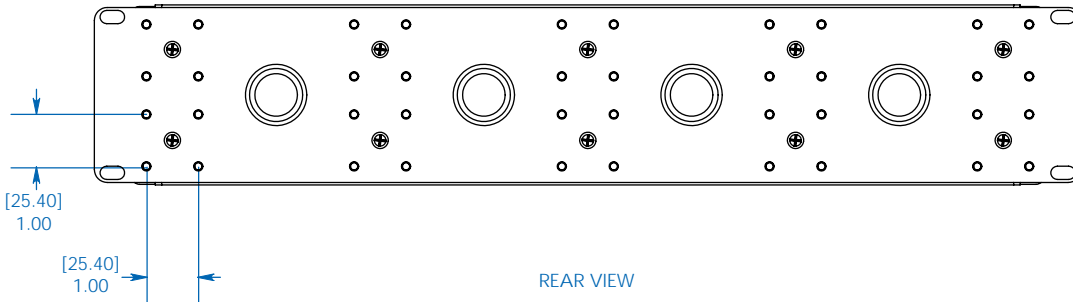
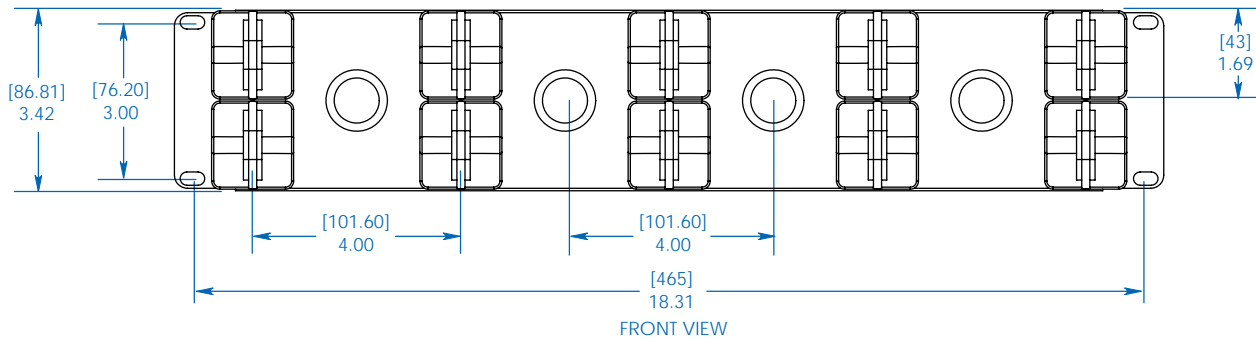
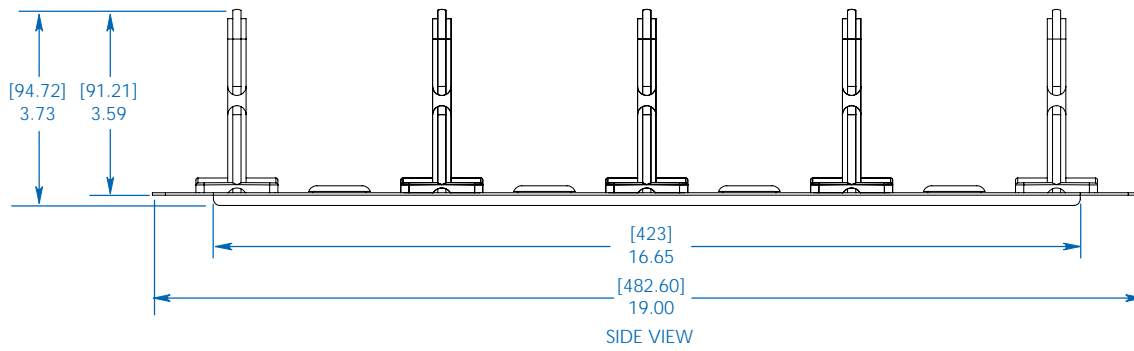
Model	SRCABLERING2U
Unit Dimensions (H x W x D)	1.77 x 3.9 x 19.13 in (45 x 99.1 x 485.9 mm)
Shipping Dimensions (H x W x D)	5 x 20 x 4 in (63.5 x 108 x 495.3 mm)
Unit Weight	1.5 lb (.68 kg)
Shipping Weight	1.8 lb (.81 kg)
Regulatory Compliance	Meets RoHS standards

Tripp Lite has a policy of continuous improvement. Specifications are subject to change without notice.

SEE NEXT PAGE FOR DETAILED UNIT MEASUREMENTS

TRIPP-LITE

1111 W. 35th Street
Chicago, IL 60609 USA
773.869.1234
www.tripplite.com



Dimensions: [mm] INCHES

Tripp Lite has a policy of continuous improvement. Specifications are subject to change without notice.

MODEL:
SRCABLERING2U



1111 W. 35th Street
Chicago, IL 60609 USA
773.869.1234

www.tripplite.com