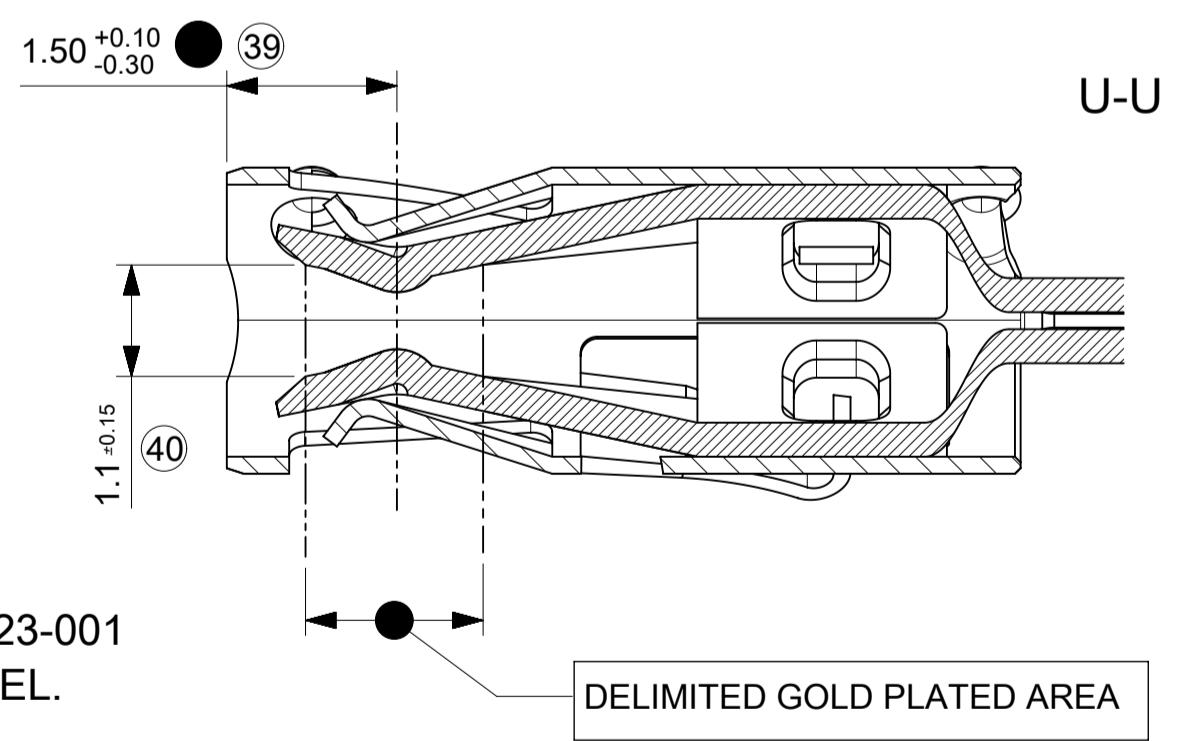


NOTE:
 - APPLICATION SPECIFICATION ACCORDING TO AS-64323-001
 - ALL DIMENSIONS ARE TAKE OVER FROM THE 3D MODEL.



(SKC) COTES CARACTERISTIQUES SPECIALES
 SPECIAL KEY CHARACTERISTICS

- INDICATION DIMENSIONS S.P.C DENOTES S.P.C DIMENSIONS
- INDICATION DIMENSIONS CRITIQUES DENOTES CRITICAL DIMENSIONS
- INDICATION DIMENSIONS FONCTIONNELLES DENOTES FUNCTIONAL DIMENSIONS

QUANTITE PAR FEUILLE INDIVIDUELLE
 QUANTITY PER INDIVIDUAL SHEET

1 0 4 (SKC) 0

2	BOX TERMINAL	STAINLESS STEEL thickness : 0.15 mm	
1	BODY TERMINAL	HIGH CONDUCTIVITY COPPER ALLOY thickness : 0.3 mm	
MARK	DESIGNATION	MATERIAL	

MATERIAL NUMBER	CONTACT AREA	CRIMPING AREA	UNDERLAYER	CRIMPING RANGE (mm2)	A±0.3	B±0.3	rC±0.2	D±0.3	E±0.3	rF±0.2	G ±0.1	WEIGHT (g)
0643231029	Sn	Sn		0.50 TO 1	3.1	2.8	0.575	3.25	3.45	0.95	0.15	0.2420
0643231319	Au 1.27µ MINI	Sn	Ni	0.50 TO 1	3.1	2.8	0.575	3.25	3.45	0.95	0.15	0.2442
0643231039	Sn	Sn		>1 TO 2	3.7	3.3	0.9	3.95	4.15	1.15	0.3	0.2580
0643231219	Au 1.27µ MINI	Sn	Ni	>1 TO 2	3.7	3.3	0.9	3.95	4.15	1.15	0.3	0.2602

THIS DRAWING CONTAINS INFORMATION THAT IS PROPRIETARY TO MOLEX ELECTRONIC TECHNOLOGIES, LLC AND SHOULD NOT BE USED WITHOUT WRITTEN PERMISSION

DIMENSION UNITS: MM SCALE: 15:1

GENERAL TOLERANCES (UNLESS SPECIFIED):
 ANGULAR TOL ± 2.0°
 4 PLACES ± 0.1
 3 PLACES ± 0.1
 2 PLACES ± 0.1
 1 PLACE ± 0.1
 0 PLACES ± 0.1

DRAFT WHERE APPLICABLE MUST REMAIN WITHIN DIMENSIONS

CURRENT REV DESC: NX RE-MASTERING

EC NO: 114689
 DRWN: GMANIVANNAN 2018/03/15
 CHK'D: SLAFAURE 2018/06/04
 APPR: SLAFAURE 2018/06/14

INITIAL REVISION:
 DRWN: VGUERIN 2007/11/07
 APPR: LSTICKEIR 2007/11/07

FIRST ANGLE PROJECTION DRAWING SERIES: A1-SIZE 64323

DOCUMENT NUMBER: SD-64323-001
 DOC TYPE: PSD
 DOC PART: 000
 REVISION: C1

PRODUCT CUSTOMER DRAWING

MATERIAL NUMBER: SEE CHART
 CUSTOMER: GENERAL MARKET
 SHEET NUMBER: 1 OF 1

MOLEX
 CP RCPT TRM 1.5