

MATERIALS AND FINISHES

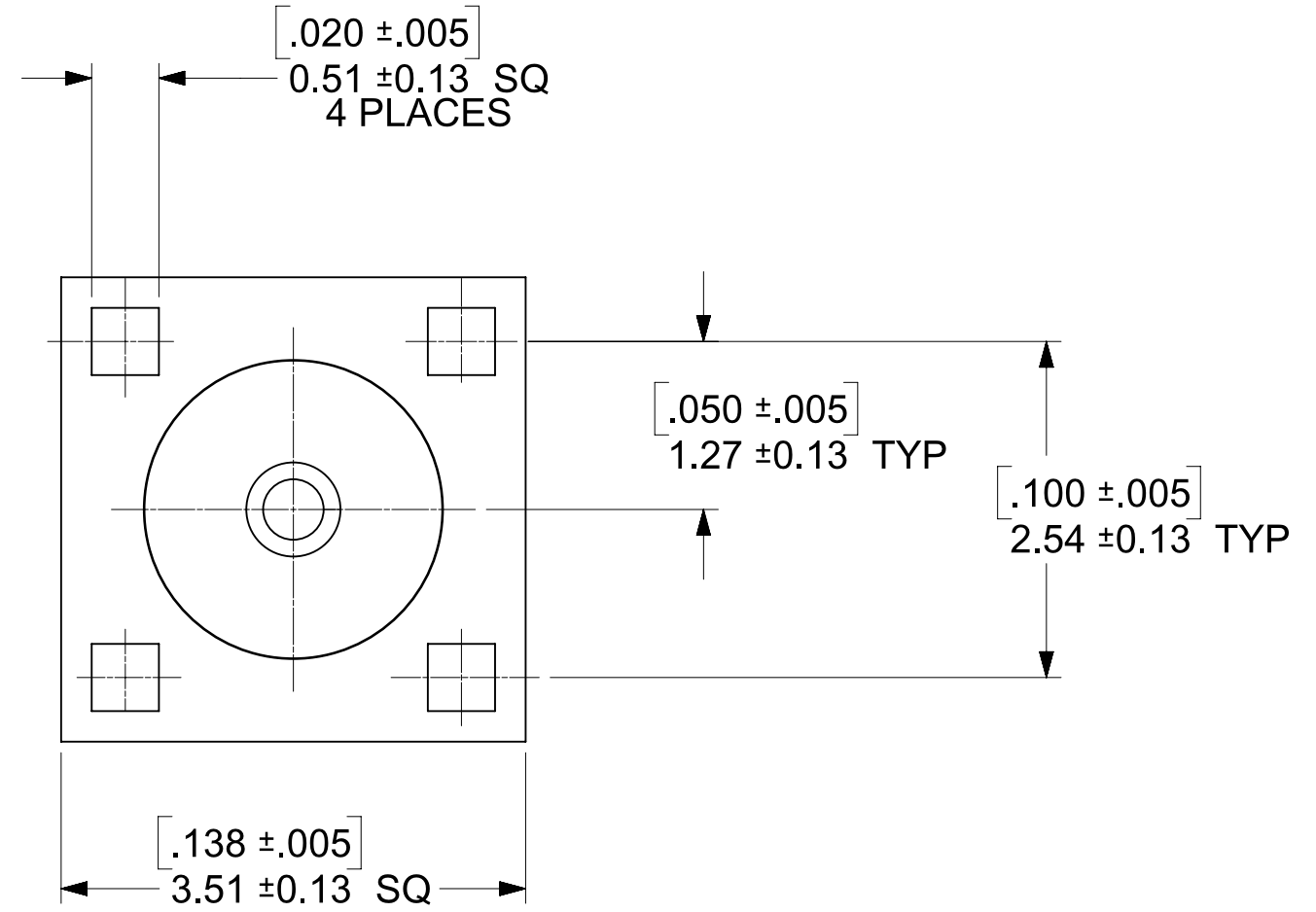
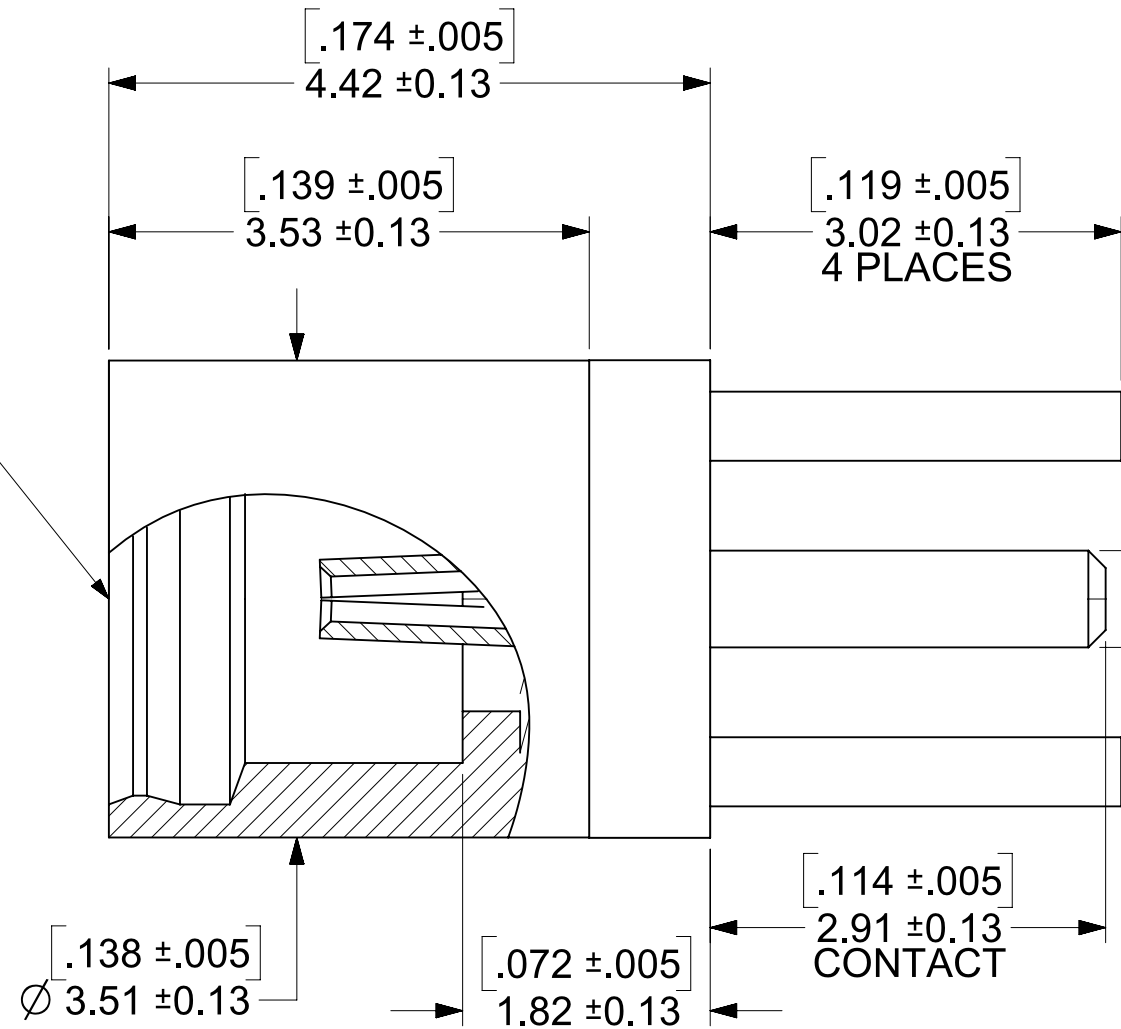
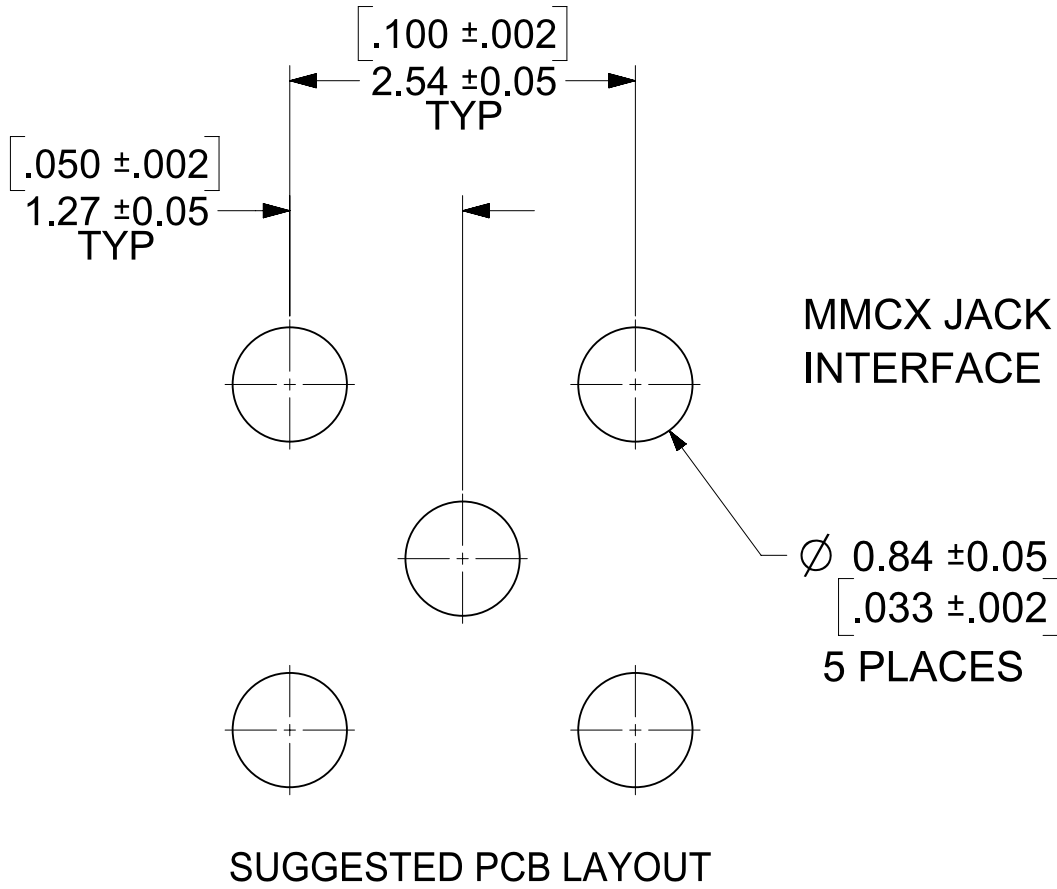
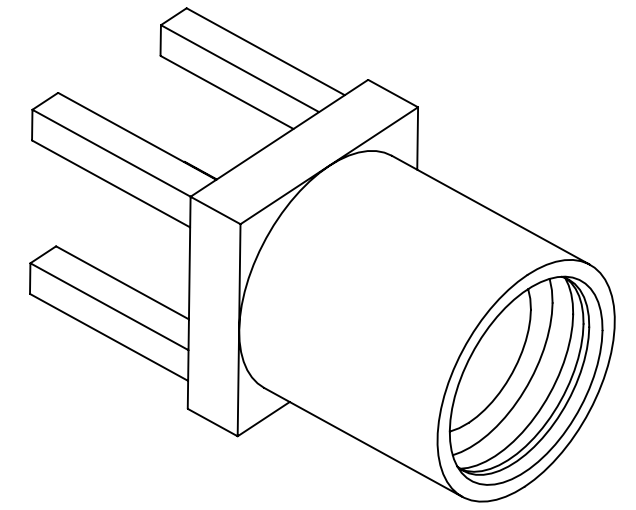
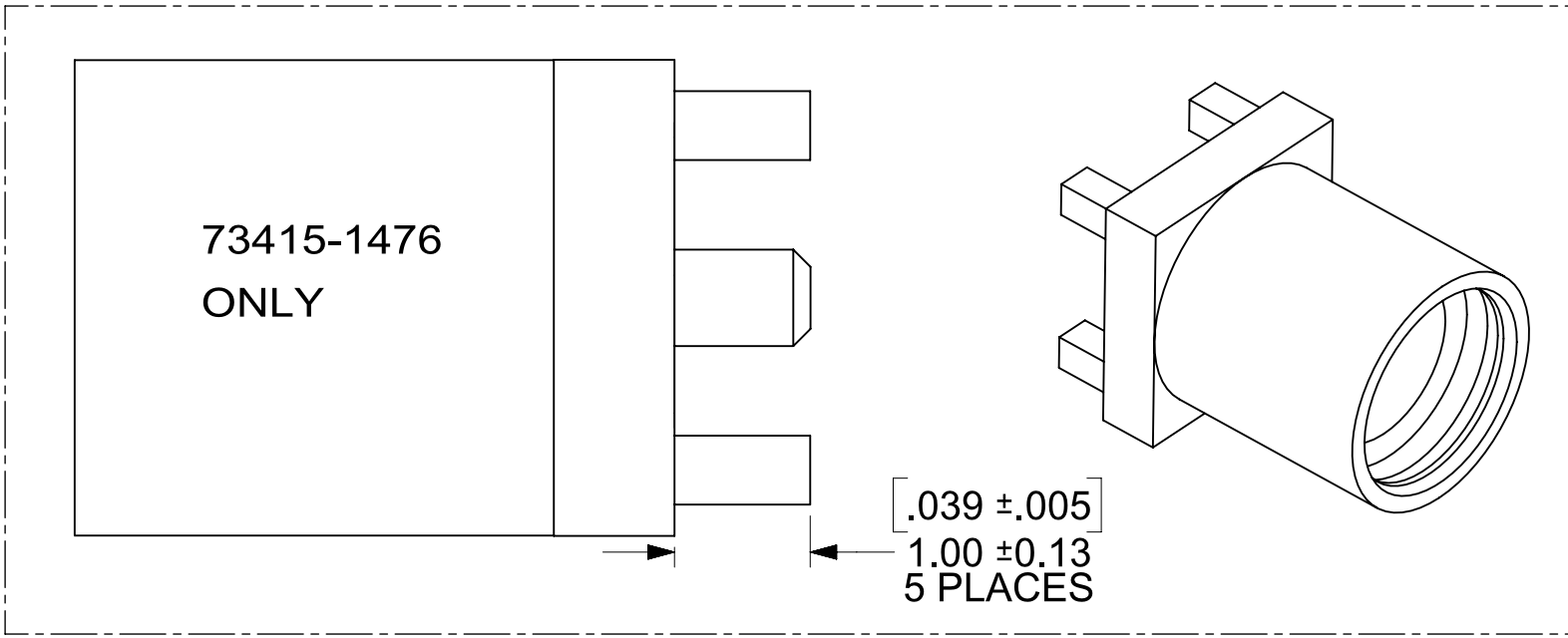
BODY SEE TABLE
 PLATED SEE TABLE

CENTER CONTACT BERYLLIUM COPPER
 PLATED SEE TABLE

INSULATOR TEFLON

NOTE
 PART # 73415-1473 IS

NON-MAGNETIC



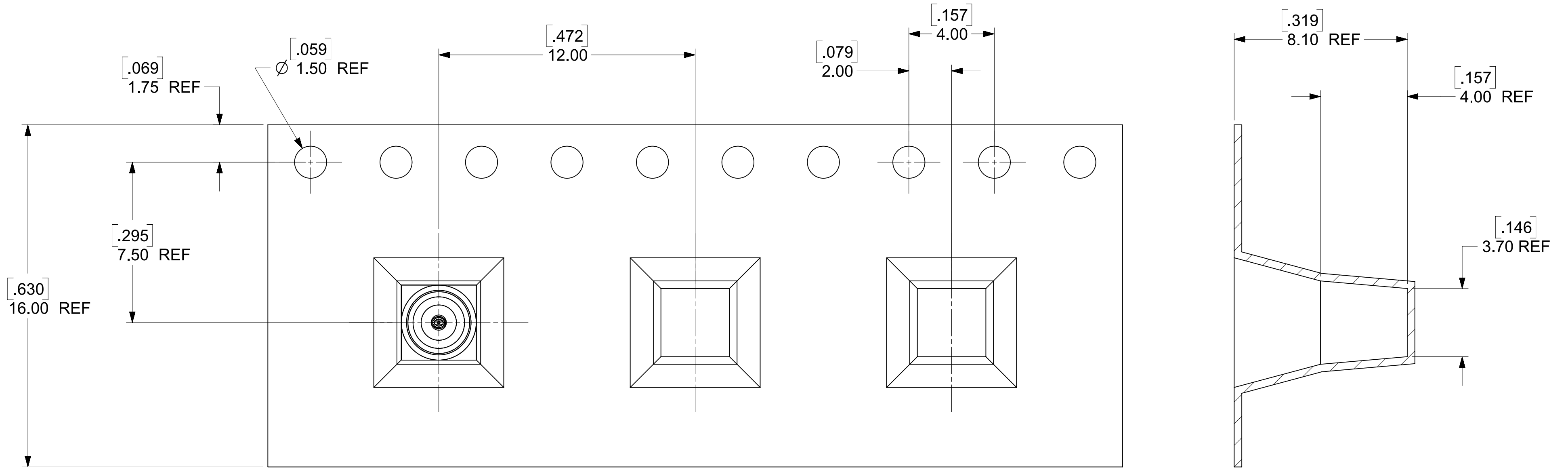
73414-0990	P/N 73415-1471 , TAPE AND REEL WITHOUT KAPTON TAPE (SEE 89542-0450 DRAWING)	BRASS/GOLD 1u" (PER COMMERCIAL REQUIRMENT)	GOLD 30u"
73415-1477	TRAY	BRASS/GOLD 1u" (PER COMMERCIAL REQUIRMENT)	GOLD 1u"
73415-1476	TRAY (1.00 MM LEG LENGTHS)	BRASS/GOLD 1u" (PER COMMERCIAL REQUIRMENT)	GOLD 30u"
73415-1475	P/N 73415-1471 , TAPE AND REEL WITH KAPTON TAPE (SEE 89542-0440 DRAWING)	BRASS/GOLD 1u" (PER COMMERCIAL REQUIRMENT)	GOLD 30u"
73415-1474	TRAY	BRASS/GOLD 1u" (PER COMMERCIAL REQUIRMENT)	GOLD 30u"
73415-1473	BAG (SEE 89542-0103 DRAWING)	BeCu/GOLD 10u" (NON MAGNETIC)	GOLD 30u"
73415-1472	P/N 73415-1471, ONE PER BAG	BRASS/GOLD 1u" (PER COMMERCIAL REQUIRMENT)	GOLD 30u"
73415-1471	BAG (SEE 89542-0102 DRAWING)	BRASS/GOLD 1u" (PER COMMERCIAL REQUIRMENT)	GOLD 30u"
73415-1470	BAG (SEE 89542-0102 DRAWING)	BRASS/ GOLD 30u" (PER MILITARY REQUIRMENT)	GOLD 50u"
PART NO.	PACKAGING	MATERIAL/PLATING (BODY)	PLATING (CENTER CONTACT)

CECC 22 340	INTERFACE
PS-89675-1920	ELECTRO/MECH PER.
SPECIFICATION	DESCRIPTION

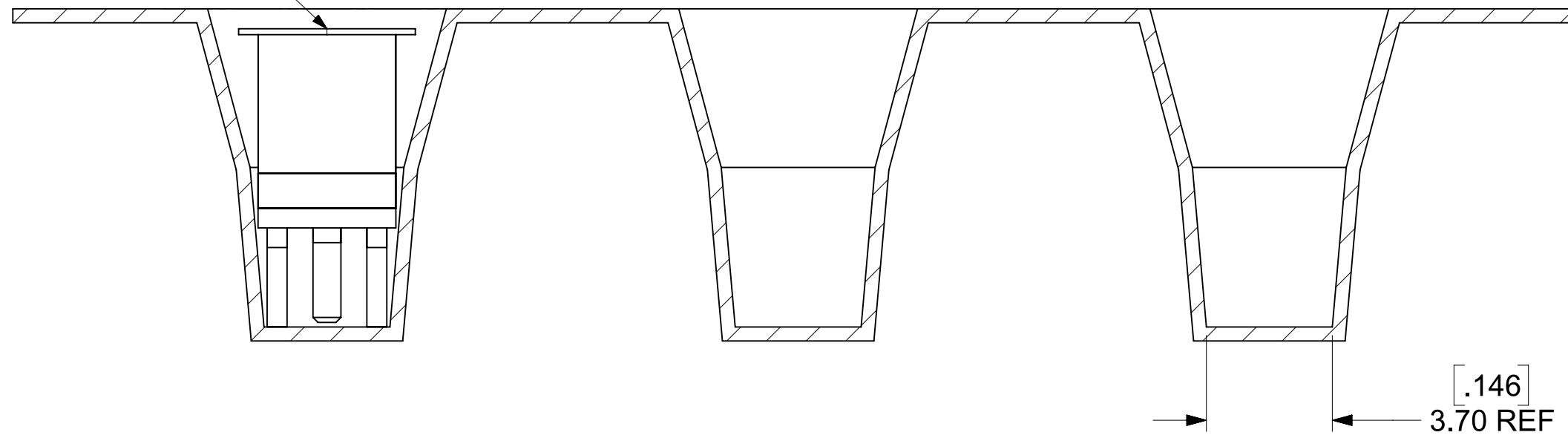
SYMBOLS		THIS DRAWING CONTAINS INFORMATION THAT IS PROPRIETARY TO MOLEX ELECTRONIC TECHNOLOGIES, LLC AND SHOULD NOT BE USED WITHOUT WRITTEN PERMISSION	
DIMENSION UNITS	SCALE	CURRENT REV DESC:	
MM/INCH	NTS	EWR-14517-B ADDED 73414-0990 PART NO	
GENERAL TOLERANCES (UNLESS SPECIFIED)		EC NO: 675460	
ANGULAR TOL	± 2.0°	DRWN: JSU18	2021/08/19
4 PLACES	±	CHK'D: YCHENG	2021/08/31
3 PLACES	±	APPR: YCHENG	2021/08/31
2 PLACES	±	INITIAL REVISION:	
1 PLACE	±	DRWN: RFC_PLMIMP	2017/12/28
0 PLACES	±	APPR: JWIENER	2007/01/09
DRAFT WHERE APPLICABLE MUST REMAIN WITHIN DIMENSIONS		THIRD ANGLE PROJECTION	DRAWING
		C-SIZE	SERIES
			73415

molex			
MMCX JACK, PCB MOUNT 50 OHMS MMCX-J/PCB			
PRODUCT CUSTOMER DRAWING			
DOCUMENT NUMBER	DOC TYPE	DOC PART	REVISION
SD-73415-147	PSD	001	C5
MATERIAL NUMBER	CUSTOMER	SHEET NUMBER	
	GENERAL MARKET	1 OF 3	

NOTE
DIMENSIONS ARE PROVIDED FOR REFERENCE ONLY



KAPTON



(FOR 73415-1475)

THIS DRAWING CONTAINS INFORMATION THAT IS PROPRIETARY TO MOLEX ELECTRONIC TECHNOLOGIES, LLC AND SHOULD NOT BE USED WITHOUT WRITTEN PERMISSION									
SYMBOLS		DIMENSION UNITS		SCALE		CURRENT REV DESC:			
▽ = 0	MM/INCH	NTS	EWR-14517-B			molex			
▽ = 0	GENERAL TOLERANCES (UNLESS SPECIFIED)		ADDED 73414-0990 PART NO						
▽ = 0	ANGULAR TOL ± 2.0°		EC NO: 675460			MMCX JACK, PCB MOUNT			
▽ = 0	4 PLACES ±		DRWN: JSU18 2021/08/19			50 OHMS MMCX-J/PCB			
▽ = 0	3 PLACES ±		CHK'D: YCHENG 2021/08/31			PRODUCT CUSTOMER DRAWING			
▽ = 0	2 PLACES ±		APPR: YCHENG 2021/08/31			DOCUMENT NUMBER			
▽ = 0	1 PLACE ±		INITIAL REVISION:			SD-73415-147		DOC TYPE	
▽ = 0	0 PLACES ±		DRWN: RFC_PLMIMP 2017/12/28			PSD		DOC PART	
▽ = 0	DRAFT WHERE APPLICABLE MUST REMAIN WITHIN DIMENSIONS		THIRD ANGLE PROJECTION		SERIES		REVISION		
▽ = 0			DRAWING		73415		C5		
		C-SIZE		GENERAL MARKET		SHEET NUMBER		2 OF 3	

13" REEL SIZE

$12.993 \pm .020$
 $\varnothing 330.02 \pm 0.51$

$.647$
 16.43 MIN

$.502$
 $\varnothing 12.75$ REF

250 MM EMPTY MIN


250 MM EMPTY MIN

ORDER QUANTITY PACKED

230.00 MIN

LABEL

- ORDER NO.
- QUANTITY
- PART NO.
- LOT NO.

SYMBOLS $\nabla = 0$ $\nabla = 0$ $\nabla = 0$ $\nabla = 0$ $\nabla = 0$ $\nabla = 0$ $\nabla = 0$ $\nabla = 0$ $\nabla = 0$ $\nabla = 0$	THIS DRAWING CONTAINS INFORMATION THAT IS PROPRIETARY TO MOLEX ELECTRONIC TECHNOLOGIES, LLC AND SHOULD NOT BE USED WITHOUT WRITTEN PERMISSION	SCALE		CURRENT REV DESC:		 MMCX JACK, PCB MOUNT 50 OHMS MMCX-J/PCB				
	DIMENSION UNITS	MM/INCH	SCALE	NTS	EWR-14517-B ADDED 73414-0990 PART NO				DOCUMENT NUMBER	DOC TYPE
	GENERAL TOLERANCES (UNLESS SPECIFIED)		ANGULAR TOL $\pm 2.0^\circ$		EC NO: 675460		PRODUCT CUSTOMER DRAWING			
	4 PLACES \pm		1 PLACE \pm		DRWN: JSU18 2021/08/19		SD-73415-147			
3 PLACES \pm		0 PLACES \pm		CHK'D: YCHENG 2021/08/31		PSD 001 C5				
2 PLACES \pm		DRAFT WHERE APPLICABLE MUST REMAIN WITHIN DIMENSIONS		APPR: YCHENG 2021/08/31		GENERAL MARKET				
1 PLACE \pm		THIRD ANGLE PROJECTION		INITIAL REVISION:		SHEET NUMBER				
0 PLACES \pm		DRAWING		DRWN: RFC_PLMIMP 2017/12/28		3 OF 3				
		SERIES		APPR: JWIENER 2007/01/09		C-SIZE 73415				
		MATERIAL NUMBER		CUSTOMER		GENERAL MARKET				