

REF. SD-75586-001 FOR RECEPTACLE AND PCB LAYOUT INFORMATION

REF. SHEET 3 FOR GROUND PAD ALLEY LAYOUT INFORMATION

81.25 (MIN CENTER TO CENTER RAIL SPACING USING M2X0.4 FLAT HEAD OR BUTTON HEAD SCREWS)

SAS 2.1 KEYWAY IN KEY #5 POSITION

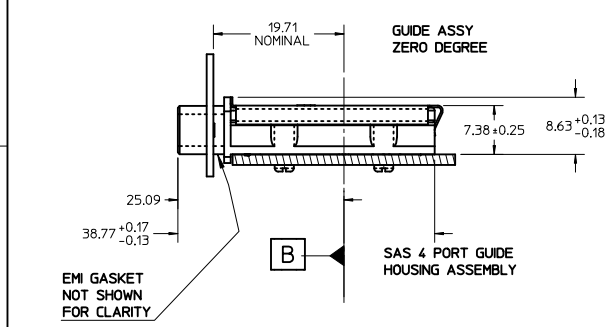
CONDUCTIVE ZONE, GUIDE RAIL SIDE

POSITION LOWER EDGE OF OPENING FLUSH TO 0.10MM BELOW PCB SURFACE, TYP.

NOTES:

1. PCB AND BRACKET SHOWN FOR REFERENCE ONLY.
2. REF. SD-74547-100 FOR KEY POSITIONS
3. GUIDE HOUSING MOUNTING THREAD= M2 X 0.40, SEE SHEET 3 FOR SCREW LENGTH + TORQUE SPEC.
4. PLATE GROUND PAD WITH EMERSION SILVER OR GOLD.
5. MATERIAL:  
GUIDE HOUSING - ZINC DIECAST, NICKEL PLATED  
COVER - STAINLESS STEEL
6. THIS PRODUCT MEETS THE RESTRICTION OF HAZARDOUS SUBSTANCES IN ELECTRICAL AND ELECTRONIC EQUIPMENT (RoHS) DIRECTIVE (2002/95/EC)
7. GUIDE HOUSING PEGS FOR ALIGNMENT ONLY, DO NOT SOLDER.
8. THIS GUIDE HOUSING ASSEMBLY IS UNIVERSAL FOR SAS 2.1 AND SAS 2.0 CABLE ASSEMBLIES.

PART NUMBER	PORT SIZE	SW	OAW	KEY(S) PORT1	KEY(S) PORT2	KEY(S) PORT3	KEY(S) PORT4	IDENTIFIERS	SCREWS INCLUDED	SCREW LENGTH
1110490307	4	76.30	80.00	2.4	2.4	2.4	2.4	SAS OUT PORT/END DEVICE	NONE	N/A
1110490308	4	76.30	80.00	4.6	4.6	4.6	4.6	SAS IN PORT/END DEVICE	NONE	N/A
1110490309	4	76.30	80.00	4	4	4	4	SAS UNIVERSAL PORT	NONE	N/A

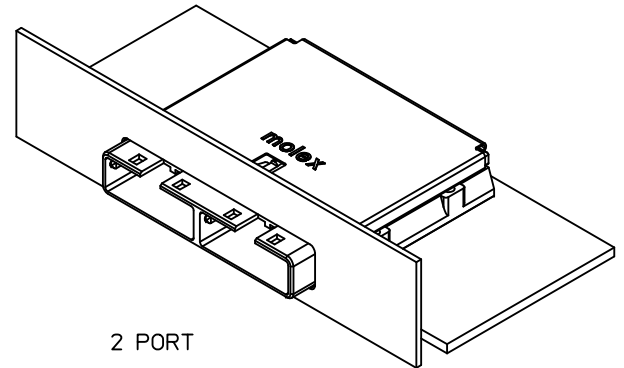
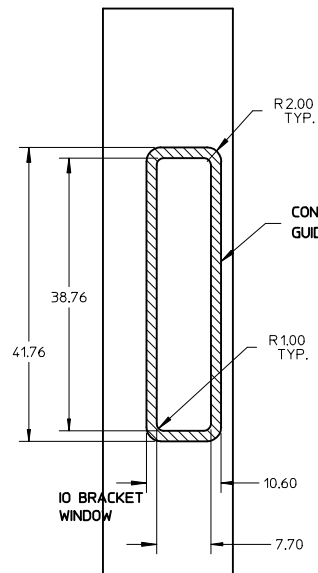
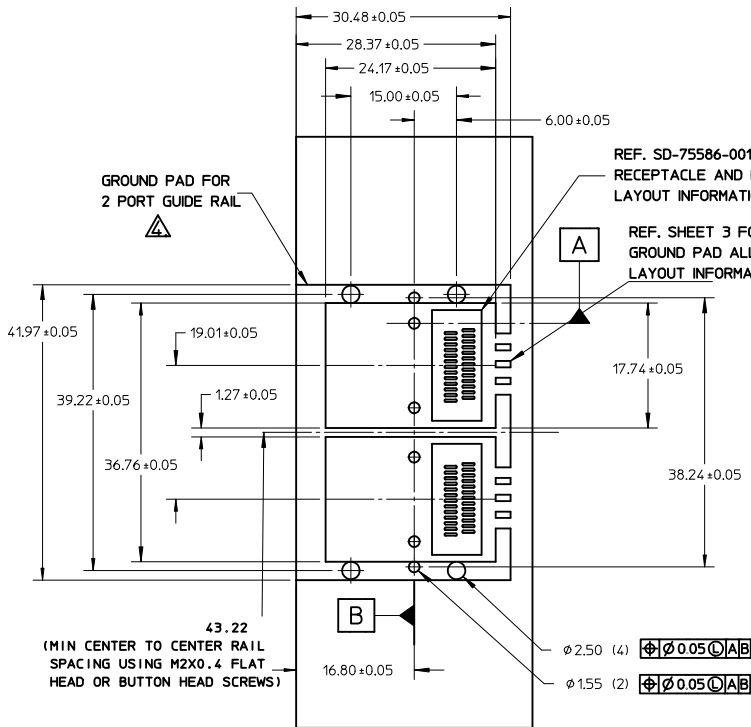


UPDATE P/N CHART

REV	DESCRIPTION	DATE
D	DRWN:TPRATT	2011/11/03
	CHKD:AJOHNSTON	2011/11/03
	APPR:RMKHAN	2011/11/15

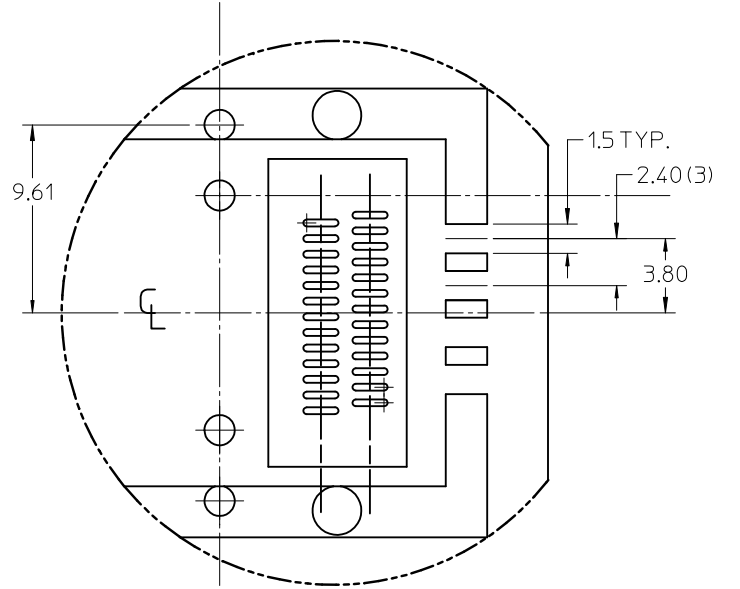
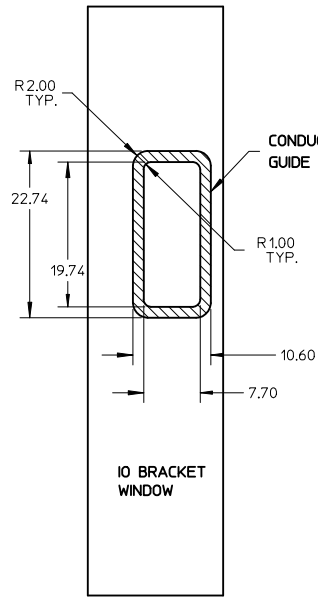
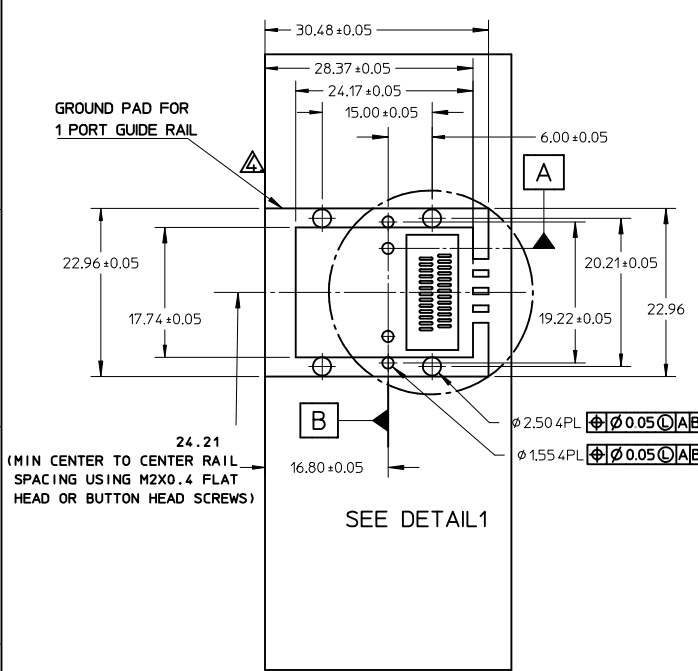
QUALITY SYMBOLS ▽=0 ▽=0	GENERAL TOLERANCES (UNLESS SPECIFIED)	DIMENSION STYLE MM ONLY	SCALE 1:1	DESIGN UNITS METRIC	THIRD ANGLE PROJECTION
	4 PLACES ± --- ± --- 3 PLACES ± --- ± --- 2 PLACES ± 0.13 ± --- 1 PLACE ± 0.25 ± --- ANGULAR ± 1 °	DRAWN BY BREED	DATE 2009/12/02	TITLE IPASS MINISAS 2.1 26CKT GUIDE HOUSING ASSEMBLY 0 DEGREE, MULTI-PORT	MOLEX INCORPORATED
DRAFT WHERE APPLICABLE MUST REMAIN WITHIN DIMENSIONS	SEE TABLE	APPROVED BY DDOYE	DATE 2010/04/21	DOCUMENT NO. SD-111049-030	SHEET NO. 1 OF 3

THIS DRAWING CONTAINS INFORMATION THAT IS PROPRIETARY TO MOLEX INCORPORATED AND SHOULD NOT BE USED WITHOUT WRITTEN PERMISSION

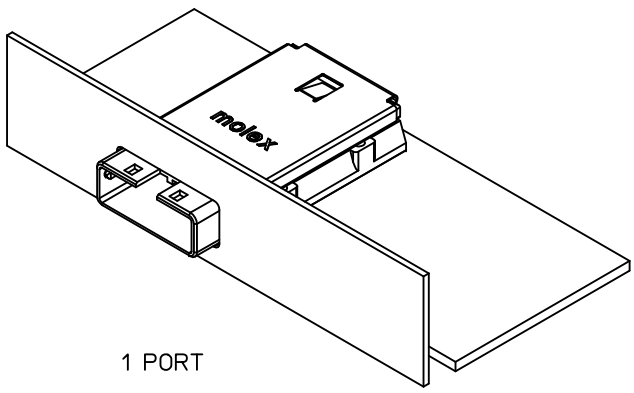


PART NUMBER	PORT SIZE	SW	OAW	KEY(S) PORT1	KEY(S) PORT2	IDENTIFIERS	SCREWS INCLUDED	SCREW LENGTH
1110490304	2	38.26	41.96	2,4	2,4	SAS OUT PORT/END DEVICE	NONE	N/A
1110490305	2	38.26	41.96	4,6	4,6	SAS IN PORT/END DEVICE	NONE	N/A
1110490306	2	38.26	41.96	4	4	SAS UNIVERSAL PORT	NONE	N/A
1110490310	2	38.26	41.96	2,4	4,6	SAS OUT PORT/SAS IN PORT	NONE	N/A
1110490321	2	38.26	41.96	6	6	SAS IN PORT	NONE	N/A

UPDATE P/N CHART EC NO: USY2012-0469 DRWN: PRATT 2011/11/03 CHKD: A JOHNSTON 2011/11/03 APPR: RINKHAN 2011/11/15	DESCRIPTION D	QUALITY SYMBOLS	GENERAL TOLERANCES (UNLESS SPECIFIED)	DIMENSION STYLE	SCALE	DESIGN UNITS	THIRD ANGLE PROJECTION	
		▽=0 ▽=0	mm INCH 4 PLACES ± --- ± --- 3 PLACES ± --- ± --- 2 PLACES ± 0.13 ± --- 1 PLACE ± 0.25 ± --- ANGULAR ± 1 °	MM ONLY	1:1	METRIC		
			DRAFT WHERE APPLICABLE MUST REMAIN WITHIN DIMENSIONS	DRAWN BY DATE BREED 2009/12/02 CHECKED BY DATE DDOYE 2009/12/02 APPROVED BY DATE DDOYE 2010/04/21	TITLE	IPASS MINISAS 2.1 26CKT GUIDE HOUSING ASSEMBLY 0 DEGREE, MULTI-PORT		
				MATERIAL NO. SEE TABLE SIZE B	MOLEX INCORPORATED DOCUMENT NO. SD-111049-030	SHEET NO.	2 OF 3	



DETAIL1  
SCALE 4:1



PCB THICKNESS	SCREW LENGTH	TORQUE (IN LBS)
1.6 (.063')	5MM	2.3
2.38 (.093')	6MM	2.3
3.2 (.125')	6MM	2.3
X	+4MM MAX	2.3

PART NUMBER	PORT SIZE	SW	OAW	KEY(S)	IDENTIFIERS	SCREWS INCLUDED	SCREW LENGTH
1110490301	1	19.24	22.95	2,4	SAS OUT PORT/END DEVICE	NONE	N/A
1110490302	1	19.24	22.95	4,6	SAS IN PORT/END DEVICE	NONE	N/A
1110490303	1	19.24	22.95	4	SAS UNIVERSAL PORT	NONE	N/A
1110490320	1	19.24	22.95	2	SAS OUT PORT	NONE	N/A
1110490303	1	19.24	22.95	4	SAS UNIVERSAL PORT	NONE	N/A
1110490323	1	19.24	22.95	4	SAS UNIVERSAL PORT	74540-0042	6MM

UPDATE P/N CHART  
EC NO: USY2012-0469  
DRWN:TPRATT 2011/11/03  
CHKD:AJHONSTON 2011/11/03  
APPR:RMKHAN 2011/11/15

QUALITY SYMBOLS  
▽=0  
▽=0

GENERAL TOLERANCES (UNLESS SPECIFIED)	
mm	INCH
4 PLACES ± ---	± ---
3 PLACES ± ---	± ---
2 PLACES ± 0.13	± ---
1 PLACE ± 0.25	± ---
ANGULAR ± 1 °	

DIMENSION STYLE	
MM ONLY	
DRAWN BY	DATE
BREED	2009/12/02
CHECKED BY	DATE
DDOYE	2009/12/02
APPROVED BY	DATE
DDOYE	2010/04/21

SCALE 1:1  
DESIGN UNITS METRIC  
THIRD ANGLE PROJECTION  
TITLE  
IPASS MINISAS 2.1 26KCT  
GUIDE HOUSING ASSEMBLY  
0 DEGREE, MULTIPORT  
Molex MOLEX INCORPORATED

DRAFT WHERE APPLICABLE  
MUST REMAIN  
WITHIN DIMENSIONS

MATERIAL NO.  
SEE TABLE  
SIZE B

DOCUMENT NO. SD-111049-030  
SHEET NO. 3 OF 3  
THIS DRAWING CONTAINS INFORMATION THAT IS PROPRIETARY TO MOLEX INCORPORATED AND SHOULD NOT BE USED WITHOUT WRITTEN PERMISSION