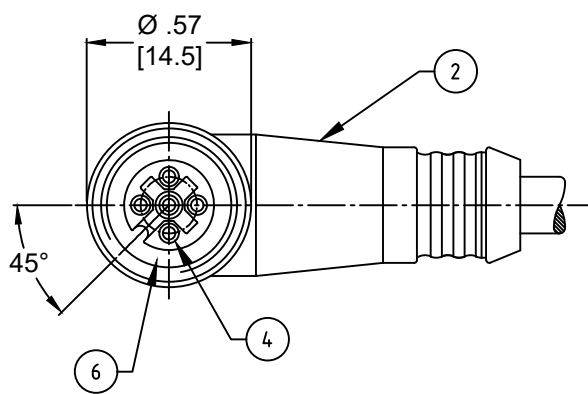
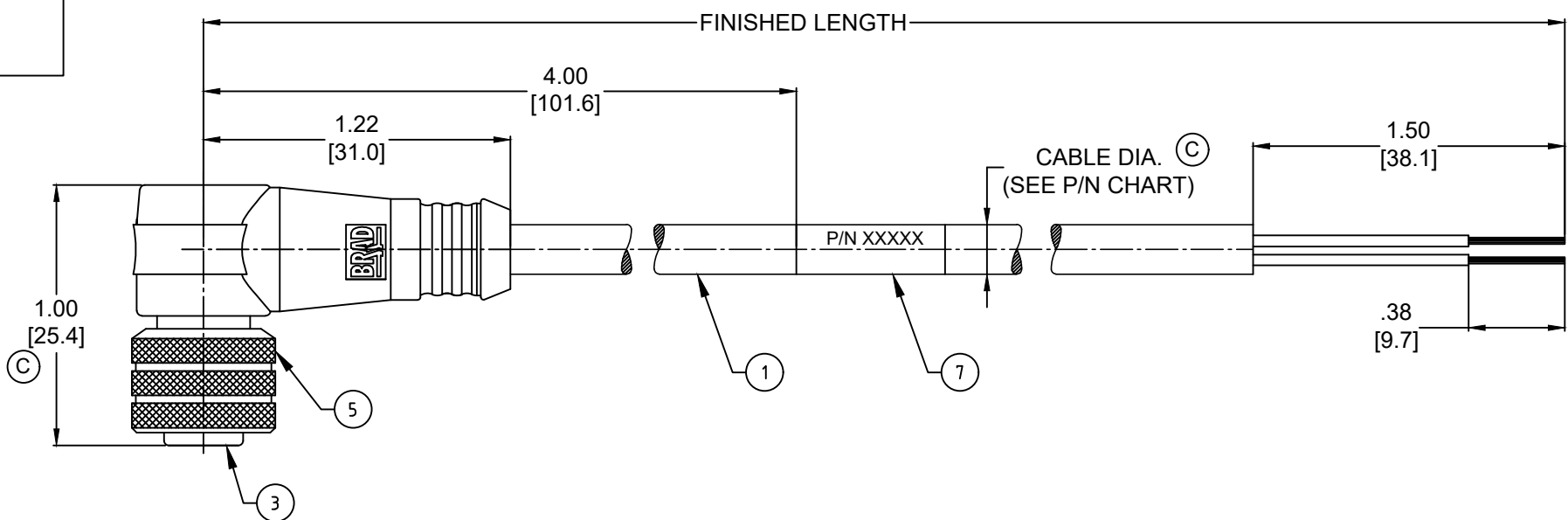


PART NO	ENGINEERING NO.	FINISHED LENGTH	POLES	CABLE DIA.
1200651443	803001A09M010	1M [3FT 3 IN]	3	.20 [5.1]
1200651567	804001A09M100	10M [32FT 9 IN]	4	.21 [5.4]
1200659216	805001A09M200	20M [65FT 7 IN]	5	.22 [5.6]



- NOTES:**
- MATERIAL: AS NOTED
  - FINISH: AS NOTED
  - ELECTRICAL:  
VOLTAGE: 250VAC/VDC  
CURRENT: 4A
  - TEMP RATING: -20°TO +105°C
  - PROTECTION: IP67 (WHEN MATED)
  - COUPLING THREAD: M12X1
  - UL RECOGNIZED FILE: E152210  
CSA CERTIFIED FILE: LR6837 (C)
  - ALL DIMENSIONS ARE FOR REFERENCE UNLESS TOLERANCED OR NOTED OTHERWISE

**PART NO. MATRIX**  
**803001A09M010**

POLES (3, 4 & 5)  
FINISHED LENGTH  
M005 = 0.5 METER  
M010 = 1 METER  
M100 = 10 METER

**CABLE LENGTH TOLERANCES**

<.3M [1FT]:	+19mm-0 [+1.75in-0]
.3 - .9M [1 - 3FT]:	+44.5mm-0 [+1.75in-0]
.9 - 1.8M [3 - 6FT]:	+55.6mm-0 [+2.19in-0]
1.8 - 3.7M [6 - 12FT]:	+88.9mm-0 [+3.50in-0]
3.7 - 7.3M [12 - 24FT]:	+165.1mm-0 [+6.50in-0]
7.3-14.6M [24 - 48FT]:	+317.5mm-0 [+12.50in-0]
14.6 - 30.5M [48-100FT]:	+622.3mm-0 [+24.50in-0]
OVER 30M [100FT]:	+2% OF FINISHED LENGTH

ITEM	DESCRIPTION	MATERIAL	FINISH
7	LABEL	VINYL	BLACK/YELLOW
6	O-RING	VITON	RED
5	COUPLER	BRASS	NICKEL PLATED
4	CONTACT SOCKET	COPPER ALLOY	GOLD OVER NICKEL
3	INSERT	PUR	BLACK
2	OVERMOLD	PUR	YELLOW
1	#22/3-5 CABLE	PVC JACKET	YELLOW

THIS DRAWING CONTAINS INFORMATION THAT IS PROPRIETARY TO MOLEX ELECTRONIC TECHNOLOGIES, LLC AND SHOULD NOT BE USED WITHOUT WRITTEN PERMISSION

FUNCTIONAL SYMBOLS FA=0 FB=0 FC=0	DIMENSION UNITS <b>INCH/MM</b>	SCALE <b>NTS</b>	CURRENT REV DESC: ITEM #3 WAS NYLON & #7 WAS MYLAR. ADDED "CSA", CABLE DIA & TOL CHART. MODIFIED PN CHART & FACE VIEWS		
	GENERAL TOLERANCES (UNLESS SPECIFIED)		EC NO: 669893		
DIVISIONAL SYMBOLS	4 PLACES ±----	mm	DRWN: ABENJAMINLW	2021/03/18	
	3 PLACES ±----	INCH	CHK'D: RSTONE	2021/07/12	
2 PLACES ±----	INITIAL REVISION:	APPR: BWOODMAN	2021/07/14		
1 PLACE ±----	DRWN: LSTEMMLE	2010/01/13			
0 PLACES ±----	APPR: NSTAUDIG	2010/01/25			
ANGULAR TOL ± --- °	DRAFT WHERE APPLICABLE MUST REMAIN WITHIN DIMENSIONS	THIRD ANGLE PROJECTION	DRAWING	SERIES	
			A3-SIZE	120065	
DOCUMENT NUMBER		CUSTOMER	DOC TYPE	DOC PART	REVISION
SD-120065-027		GENERAL MARKET	PSD	001	C
MATERIAL NUMBER		CUSTOMER	SHEET NUMBER		
SEE CHART		GENERAL MARKET	1 OF 1		