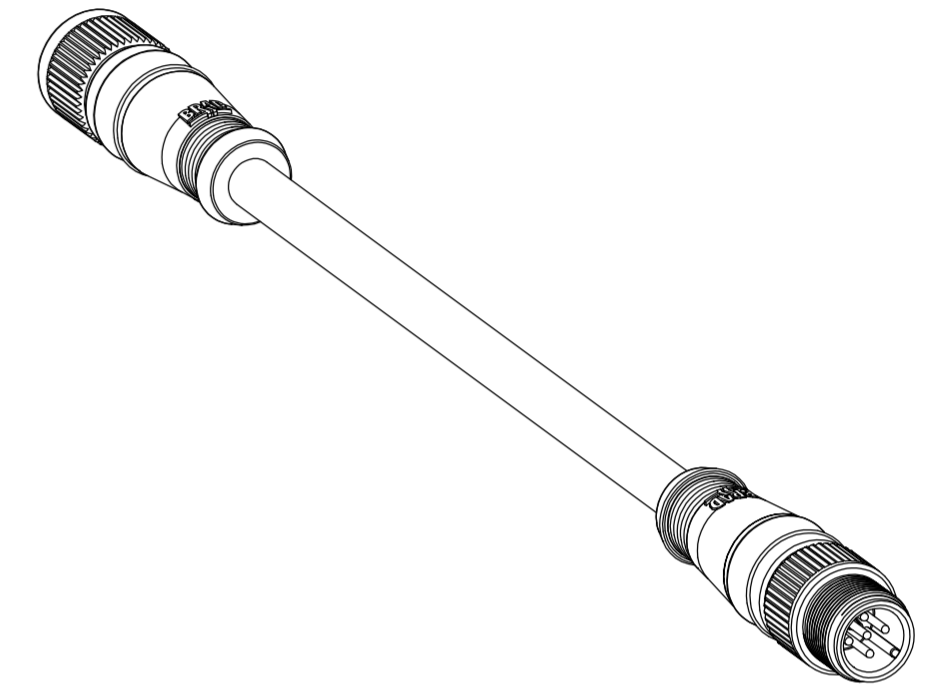
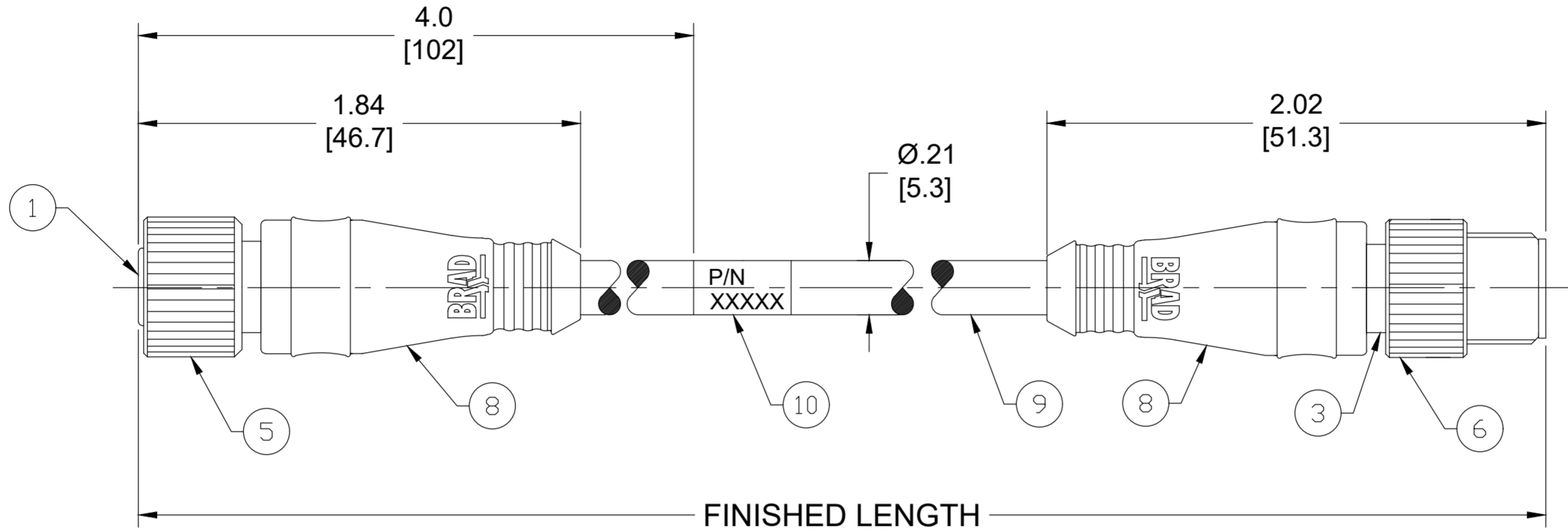
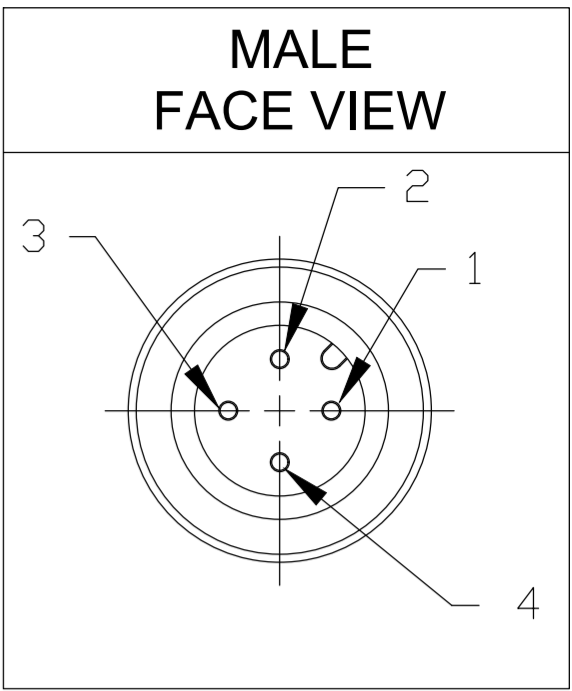
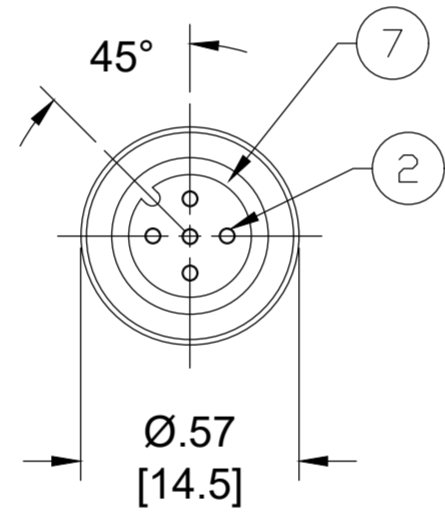


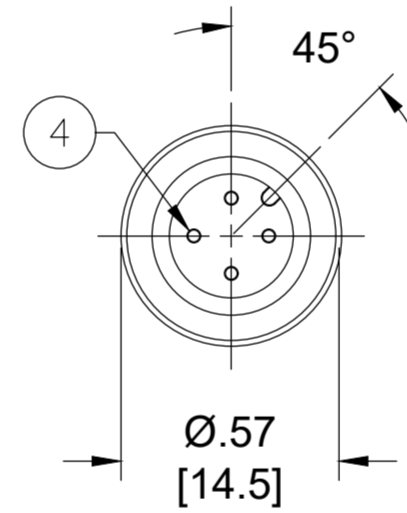
PART NO	ENGINEERING NO.	FINISHED LENGTH
1200660259	884030A09M003	0.3M [ 1FT ]
1200660297	884030A09M100	10M [ 32FT 9 IN ]
1200661907	884030A09M350	35M [ 114FT 10 IN ]



- NOTES:**
- MATERIAL: AS NOTED
  - FINISH: AS NOTED
  - ELECTRICAL:  
VOLTAGE: 250V  
CURRENT: 4A
  - TEMP RATING: -20°TO +105°C
  - PROTECTION: IP67 (WHEN MATED)
  - COUPLING THREAD: M12X1
  - UL RECOGNIZED FILE: E152210  
CSA CERTIFIED FILE: LR6837
  - ALL DIMENSIONS ARE FOR REFERENCE UNLESS TOLERANCED OR NOTED OTHERWISE



FEMALE FACE VIEW



MALE FACE VIEW

1	BROWN	1
2	WHITE	2
3	BLUE	3
4	BLACK	4

WIRING DIAGRAM

10	LABEL	VINYL	BLACK/YELLOW
9	CABLE #22 AWG,	PVC	YELLOW
8	OVERMOLD	TPU	YELLOW
7	O-RING	VITON	RED
6	MALE COUPLING NUT	BRASS	NICKEL PLATED
5	FEMALE COUPLING NUT	BRASS	NICKEL PLATED
4	CONTACT PIN	COPPER ALLOY	GOLD OVER NICKEL
3	MALE INSERT	PUR	BLACK
2	CONTACT SOCKET	COPPER ALLOY	GOLD OVER NICKEL
1	FEMALE INSERT	PUR	BLACK
ITEM	COMPONENT	MATERIAL	FINISH

**PART NO. MATRIX**  
**884030A09M003**  
 FINISHED LENGTH  
 M005 = 0.5 METER  
 M010 = 1 METER  
 M100 = 10 METER

**CABLE LENGTH TOLERANCES**

<.3M [1FT]:	+19mm-0 [ +.75in-0]
.3 - .9M [1 - 3FT]:	+44.5mm-0 [+1.75in-0]
.9 - 1.8M [3 - 6FT]:	+55.6mm-0 [+2.19in-0]
1.8 - 3.7M [6 - 12FT]:	+88.9mm-0 [+3.50in-0]
3.7 - 7.3M [12 - 24FT]:	+165.1mm-0 [+6.50in-0]
7.3-14.6M [24 - 48FT]:	+317.5mm-0 [+12.50in-0]
14.6 - 30.5M [48-100FT]:	+622.3mm-0 [+24.50in-0]
OVER 30M [100FT]	+2% OF FINISHED LENGTH

FUNCTIONAL SYMBOLS FA=0 FC=0 FP=0	DIMENSION UNITS <b>INCH/MM</b>	SCALE <b>NTS</b>	CURRENT REV DESC: ITEM #8 WAS PUR ITEM #10 WAS MYLAR. ADDED TOL CHART & PN MATRIX. MODIFIED PN CHART	
	GENERAL TOLERANCES (UNLESS SPECIFIED)		EC NO: 671333	2021/05/03
DIVISIONAL SYMBOLS	4 PLACES ±----	±----	DRWN: ABENJAMINLW	2021/07/23
	3 PLACES ±----	±----	CHK'D: RSTONE	2021/07/28
2 PLACES ±----	±----	APPR: BWOODMAN	INITIAL REVISION:	
1 PLACE ±----	±----	DRWN: BWOODMAN		
0 PLACES ±----	±----	APPR: JFMURPHY	2009/03/27	2009/04/01
ANGULAR TOL ± --- °		THIRD ANGLE PROJECTION	DRAWING	SERIES
DRAFT WHERE APPLICABLE MUST REMAIN WITHIN DIMENSIONS			C-SIZE	120066
DOCUMENT STATUS		P1	RELEASE DATE	2021/07/28 23:37:22
DOCUMENT NUMBER		SD-120066-005		DOC TYPE/DOC PART/REVISION
MATERIAL NUMBER		SEE CHART	CUSTOMER	GENERAL MARKET
SHEET NUMBER		1 OF 1		

**molex**

MICRO-CHANGE CORDSET, M12,  
4 POLE, FEMALE-MALE, STRAIGHT,  
SINGLE KEY, #22 AWG

PRODUCT CUSTOMER DRAWING

DOCUMENT NUMBER: SD-120066-005  
DOC TYPE/DOC PART/REVISION: PSD 001 B