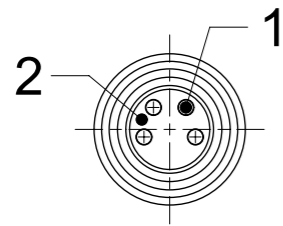


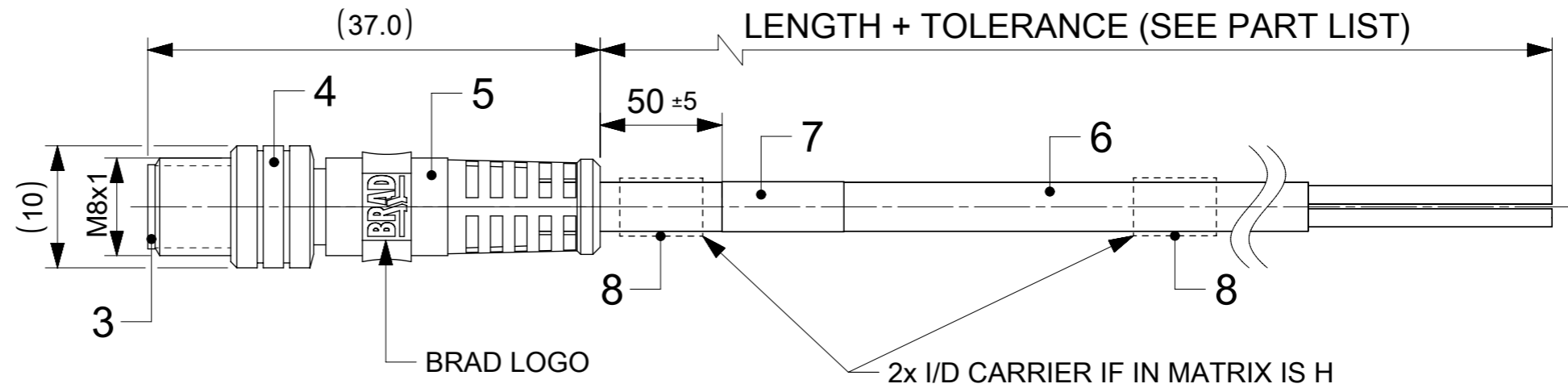
MALE PLUG M8 STRAIGHT SINGLE ENDED

CONTACT POSITION FRONT VIEW:

| 3 POLES MALE | | 4 POLES MALE | | 5 POLES MALE | |
|--------------|-------|--------------|-------|--------------|-------|
| | | | | | |
| PIN | WIRE | PIN | WIRE | PIN | WIRE |
| 1 | BROWN | 1 | BROWN | 1 | BROWN |
| 2 | - | 2 | WHITE | 2 | WHITE |
| 3 | BLUE | 3 | BLUE | 3 | BLUE |
| 4 | BLACK | 4 | BLACK | 4 | BLACK |
| 5 | - | 5 | - | 5 | GREY |



VIEW FROM THE FRONT SIDE



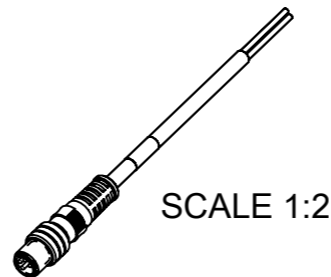
TECHNICAL SPECIFICATION:

CONTACT CURRENT RATING: 3-5 POLES 3 A
 VOLTAGE RATING: 3 POLES 60 V
 4-5 POLES 30 V
 PROTECTION CLASS: IP 67
 TEMPERATURE RANGE: -25° C / +80° C

BILL OF MATERIAL

| ITEM | QTY. | DESCRIPTION | MATERIAL | FINISH / COLOR |
|------|-----------|-------------------------|-------------|----------------------|
| 8 | 0 / 2 | ID CARRIER (SEE MATRIX) | PVC | TRANSPARENT |
| 7 | 1 | LABEL OR PRINTING | VINYL / --- | --- |
| 6 | - | CABLE | SEE MATRIX | --- |
| 5 | - | OVERMOULDING | TPU | BLACK |
| 4 | 1 | COUPLING NUT M8 MALE | BRASS | NICKEL |
| 3 | 1 | SLEEVE | BRASS | NICKEL |
| 2 | 1 | INSERT MALE | TPU | BLACK |
| 1 | 3 / 4 / 5 | CONTACT M8 MALE | BRASS | SELECTIVE Au OVER Ni |
| ITEM | QTY. | DESCRIPTION | MATERIAL | FINISH / COLOR |

| | | | | |
|-----------------|----|--------------|------------|----------|
| DOCUMENT STATUS | P1 | RELEASE DATE | 2021/11/25 | 12:27:14 |
|-----------------|----|--------------|------------|----------|



| | | | | |
|--|---|------------------------|---------------------------------|----------------------------|
| FUNCTIONAL SYMBOLS | THIS DRAWING CONTAINS INFORMATION THAT IS PROPRIETARY TO MOLEX ELECTRONIC TECHNOLOGIES, LLC AND SHOULD NOT BE USED WITHOUT WRITTEN PERMISSION | | CURRENT REV DESC: FIRST RELEASE | |
| △/A = 0 | mm | SCALE | 2:1 | |
| △/E = 0 | GENERAL TOLERANCES (UNLESS SPECIFIED) | | | |
| △/V = 0 | ANGULAR TOL ± 1.0° | | | |
| DIVISIONAL SYMBOLS | 4 PLACES | ± | | |
| | 3 PLACES | ± | | |
| | 2 PLACES | ± 0.05 | | |
| | 1 PLACE | ± 0.3 | | |
| | 0 PLACES | ± 0.5 | | |
| DRAFT WHERE APPLICABLE MUST REMAIN WITHIN DIMENSIONS | | THIRD ANGLE PROJECTION | DRAWING | SERIES |
| | | | A3-SIZE | 120086 |
| | | EC NO: 686590 | DRWN: RSCHIEBER | 2021/11/23 |
| | | CHK'D: RSILLER | APPR: RSILLER | 2021/11/25 |
| | | INITIAL REVISION: | DRWN: RSCHIEBER | 2021/11/23 |
| | | APPR: RSILLER | APPR: RSILLER | 2021/11/25 |
| | | DOCUMENT NUMBER | 1200860183 | DOC TYPE DOC PART REVISION |
| | | PSD | 000 | A |
| | | MATERIAL NUMBER | SEE PART LIST | CUSTOMER |
| | | GENERAL MARKET | SHEET NUMBER | |
| | | 1 OF 3 | | |

ENGINEERING NO. - NUMERICAL CODE (Available parts see PART LIST table. Others on request)



40 = M8x1 SINGLE ENDED
 POLES:
 3 = 3 POLE
 4 = 4 POLE
 5 = 5 POLE
 HEADER
 006 = MALE STRAIGHT
 CABLE TYPE
 SEE CABLE SPECIFICATION
 UNIT
 M = METER
 LENGTH EXAMPLE
 010 = 1 m
 050 = 5 m
 100 = 10 m
 OPTIONS
 * *
 Overmold color:
 Blank (Standard)=Black
 A = Grey / G=Black / Y=Yellow
 For cables K03, K05, A09, S19, S20 & S26 = Yellow
 Coupling Nut:
 Blank (Standard)=Knurled Brass Ni Plated
 1 = Stainless steel
 2 = Nylon
 3 = Nickel Plated Brass
 4 = Valox (polyester)
 5 = Delrin
 6 = clear anodized alum
 7 = Teflon coat
 Blank = 7 for cables: I20, I26, K03, K05, P82, S20 i S26
 8 = Type 316 stainless steel
 9 = Knurled / Hexagonal SW9 Brass Ni Plated
 H= 2 pcs. of I/D Carrier PVC Transparent
 (Cables lxx & P82 always with 2 pcs. of I/D Carrier even if no H in Engineering No.)

CABLE SPECIFICATION

| CABLE TYPE | NO. OF WIRES | CROSS SECTION | CABLE JACKET | UL | CSA | TEMP. RATING | STATIC: TEMP. / BENDING RADIUS | DYNAMIC: TEMP. / BENDING RADIUS | DRAG CHAIN | SHIELD |
|------------|--------------|---------------------|-----------------|----------------|--------------------------|--------------|--------------------------------|---------------------------------|---------------------------------|--------|
| A10 | 4 | 0.25mm ² | PVC YELLOW | UL 2661/1731 | I/II A/B 105°C/300V | 105°C | - | - | - | NO |
| E02 | 3 / 4 / 5 | 0.25mm ² | PVC BLACK | UL 2464/1729 | C22.2 I/II A/B 80°C/300V | - | -30°C to +80°C, 10xO.D. | -10°C to +80°C, 15xO.D. | - | NO |
| H08 | 3 / 4 / 5 | 0.25mm ² | PUR BLACK LS0H | UL 21198/10493 | C22.2 I/II A/B 80°C/300V | - | -40°C to +80°C, 5xO.D. | -25°C to +80°C, 10xO.D. | 2 000 000 cycles, Temp max 60°C | NO |
| I12 | 3 | 0.50mm ² | PVC GREY | - | - | - | -25°C to +70°C, 10xO.D. | -5°C to +70°C, 15xO.D. | - | NO |
| I02 | 3 / 4 | 0.25mm ² | PVC (CEI) GREY | - | - | - | -30°C to +70°C | -5°C to +70°C | - | NO |
| K05 | 3 | 0.34mm ² | TPE YELLOW | UL ITC OR PLTC | I/II A/B 90°C/300V | 105°C | - | - | - | NO |
| P02 | 3 / 4 / 5 | 0.25mm ² | PUR / PVC BLACK | - | - | - | -30°C to +80°C, 7xO.D. | -5°C to +80°C, 15xO.D. | - | NO |
| I70 | 3 | 0.50mm ² | PVC GREY | - | - | - | -25°C to +70°C, 10xO.D. | -5°C to +70°C, 15xO.D. | - | NO |


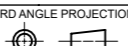
| | | | | | | |
|--|---|---------------------------------|---------------------------|-----------------|-----------------|----------------|
| FUNCTIONAL SYMBOLS FA = 0 FE = 0 FV = 0 | THIS DRAWING CONTAINS INFORMATION THAT IS PROPRIETARY TO MOLEX ELECTRONIC TECHNOLOGIES, LLC AND SHOULD NOT BE USED WITHOUT WRITTEN PERMISSION | CURRENT REV DESC: FIRST RELEASE | | molex | | |
| | DIMENSION UNITS: mm | SCALE: 1:1 | CSE M8 XP AC MA STR XM SE | | | |
| DIVISIONAL SYMBOLS | GENERAL TOLERANCES (UNLESS SPECIFIED) | | EC NO: 686590 | | | |
| | ANGULAR TOL ± 1.0° | | DRWN: RSCHIEBER | | 2021/11/23 | |
| | 4 PLACES ± | | CHK'D: RSILLER | | 2021/11/25 | |
| | 3 PLACES ± | | APPR: RSILLER | | 2021/11/25 | |
| 2 PLACES ± 0.05 | | INITIAL REVISION: | | DOCUMENT NUMBER | | |
| 1 PLACE ± 0.3 | | DRWN: RSCHIEBER | | 1200860183 | | |
| 0 PLACES ± 0.5 | | APPR: RSILLER | | PSD 000 A | | |
| DRAFT WHERE APPLICABLE MUST REMAIN WITHIN DIMENSIONS | | THIRD ANGLE PROJECTION | DRAWING | SERIES | MATERIAL NUMBER | CUSTOMER |
| | | | A3-SIZE | 120086 | SEE PART LIST | GENERAL MARKET |
| | | | | | | SHEET NUMBER |
| | | | | | | 2 OF 3 |

PART LIST

| ITEM | MOLEX PN | ENGINEERING NO | L+TOL.[mm] |
|------|------------|----------------|------------|
| 1 | 1200270105 | 403006E02M050 | 5000+60 |
| 2 | 1200270364 | 403006E02M010 | 1000+40 |
| 3 | 1200270376 | 404006E02M050 | 5000+60 |
| 4 | 1200270453 | 403006P02M040 | 4000+60 |
| 5 | 1200270459 | 403006E02M003 | 300+40 |
| 6 | 1200270547 | 403006I12M010 | 1000+40 |
| 7 | 1200270588 | 405006P02M005 | 500+40 |
| 8 | 1200270657 | 405006P02M050 | 5000+60 |
| 9 | 1200270659 | 403006I12M006 | 600+40 |
| 10 | 1200270752 | 405006P02M020 | 2000+60 |
| 11 | 1200270877 | 405006P02C550 | 550+40 |
| 12 | 1200270911 | 403006P02M020 | 2000+60 |
| 13 | 1200270933 | 403006P02M100 | 10000+80 |
| 14 | 1200271079 | 403006P02M010 | 1000+40 |
| 15 | 1200271179 | 403006P02M004 | 400+40 |
| 16 | 1200271200 | 403006P02M006 | 600+40 |
| 17 | 1200271327 | 403006P02M005 | 500+40 |
| 18 | 1200271332 | 403006P02M003 | 300+40 |
| 19 | 1200271420 | 403006E02M035 | 3500+60 |
| 20 | 1200271421 | 403006E02M040 | 4000+60 |
| 21 | 1200271422 | 403006E02M060 | 6000+80 |
| 22 | 1200860183 | 404006A10M020 | 2000+60 |
| 23 | 1200860474 | 403006P02M050 | 5000+60 |
| 24 | 1200860586 | 405006P02M040 | 4000+60 |
| 25 | 1200860588 | 405006P02M100 | 10000+80 |
| 26 | 1200868031 | 405006P02M030 | 3000+60 |
| 27 | 1200868047 | 403006I12C550 | 550+40 |
| 28 | 1200868056 | 403006E02M006 | 600+40 |
| 29 | 1200868078 | 403006H08M050 | 5000+60 |
| 30 | 1200868087 | 405006P02M010 | 1000+40 |
| 31 | 1200868152 | 405006E02M010 | 1000+40 |
| 32 | 1200868161 | 404006E02M010 | 1000+40 |
| 33 | 1200868164 | 405006E02M300 | 30000+160 |
| 34 | 1200868165 | 405006E02M500 | 50000+500 |
| 35 | 1200868166 | 405006E02M600 | 60000+600 |
| 36 | 1200868173 | 405006E02M020 | 2000+40 |
| 37 | 1200868855 | 405006H08M100 | 10000+80 |
| 38 | 1200868900 | 404006H08M005 | 500+40 |
| 39 | 1200868854 | 405006H08M050 | 5000+60 |
| 40 | 1200868695 | 403006E02M020H | 2000+60 |

| ITEM | MOLEX PN | ENGINEERING NO | L+TOL.[mm] |
|------|------------|----------------|------------|
| 41 | 1200868174 | 405006E02M050 | 5000+60 |
| 42 | 1200868175 | 405006E02M100 | 10000+80 |
| 43 | 1200868182 | 405006P02M012 | 1200+60 |
| 44 | 1200868227 | 404006H08M050 | 5000+60 |
| 45 | 1200868228 | 403006E02M020 | 2000+60 |
| 46 | 1200868302 | 403006E02M002 | 200+40 |
| 47 | 1200868303 | 403006E02M015 | 1500+60 |
| 48 | 1200868304 | 403006E02M025 | 25000+60 |
| 49 | 1200868305 | 403006E02M030 | 3000+60 |
| 50 | 1200868306 | 403006E02M045 | 45000+60 |
| 51 | 1200868307 | 403006E02M100 | 10000+80 |
| 52 | 1200868308 | 403006I02C350 | 350+40 |
| 53 | 1200868309 | 403006I02C450 | 450+40 |
| 54 | 1200868310 | 403006I02M003 | 300+40 |
| 55 | 1200868311 | 403006I02M004 | 400+40 |
| 56 | 1200868312 | 403006I02M006 | 600+40 |
| 57 | 1200868313 | 403006I02M007 | 700+40 |
| 58 | 1200868314 | 403006I02M010 | 1000+40 |
| 59 | 1200868315 | 403006I02M011 | 1100+60 |
| 60 | 1200868316 | 403006I02M014 | 1400+60 |
| 61 | 1200868317 | 403006I02M015 | 1500+60 |
| 62 | 1200868318 | 403006I02M020 | 2000+60 |
| 63 | 1200868319 | 403006I02M030 | 3000+60 |
| 64 | 1200868320 | 403006I02M050 | 5000+60 |
| 65 | 1200868321 | 403006I02M100 | 10000+80 |
| 66 | 1200868322 | 403006I02M150 | 15000+140 |
| 67 | 1200868366 | 404006E02C550 | 550+40 |
| 68 | 1200868367 | 404006E02M015 | 1500+60 |
| 69 | 1200868368 | 404006E02M020 | 2000+60 |
| 70 | 1200868369 | 404006E02M100 | 10000+80 |
| 71 | 1200868370 | 404006I02M003 | 300+40 |
| 72 | 1200868371 | 404006P02M004G | 400+40 |
| 73 | 1200868372 | 404006P02M010 | 1000+40 |
| 74 | 1200868373 | 404006P02M020 | 2000+40 |
| 75 | 1200868374 | 404006P02M030G | 3000+40 |
| 76 | 1200868375 | 404006P02M050 | 5000+60 |
| 77 | 1200868720 | 403006E02M100H | 10000+80 |
| 78 | 1200868755 | 405006P02C180 | 180+40 |
| 79 | 1200868853 | 405006H08M010 | 1000+40 |
| 80 | 1200868684 | 403006E02M045H | 4500+60 |

| ITEM | MOLEX PN | ENGINEERING NO | L+TOL.[mm] |
|------|------------|----------------|------------|
| 81 | 1200868376 | 404006P02M050G | 5000+60 |
| 82 | 1200868377 | 404006P02M100 | 10000+80 |
| 83 | 1200868387 | 403006E02M150 | 15000+140 |
| 84 | 1200868390 | 403006H08M020 | 2000+60 |
| 85 | 1200868392 | 404006H08M020 | 2000+60 |
| 86 | 1200868397 | 405006H08M020 | 2000+60 |
| 87 | 1200868408 | 404006H08M003 | 300+40 |
| 88 | 1200868409 | 404006H08M010 | 1000+40 |
| 89 | 1200868421 | 403006I12M150 | 15000+140 |
| 90 | 1200868425 | 403006I12M050 | 5000+60 |
| 91 | 1200868426 | 403006I12M100 | 10000+80 |
| 92 | 1200868433 | 403006H08M100 | 10000+80 |
| 93 | 1200868436 | 403006I70M150 | 15000+140 |
| 94 | 1200868437 | 403006I70M050 | 5000+60 |
| 95 | 1200868438 | 403006I70M100 | 10000+80 |
| 96 | 1200868471 | 403006E02M020Y | 2000+60 |
| 97 | 1200868472 | 403006E02M150Y | 15000+140 |
| 98 | 1200868488 | 404006H08M100 | 10000+80 |
| 99 | 1200868496 | 403006H08M010 | 1000+40 |
| 100 | 1200868512 | 405006P02C550Y | 550+40 |
| 101 | 1200868514 | 403006P02M030 | 3000+60 |
| 102 | 1200868515 | 403006P02M075 | 7500+80 |
| 103 | 1200868562 | 404006P02M002 | 200+40 |
| 104 | 1200868573 | 405006E02M030 | 3000+60 |
| 105 | 1200868680 | 405006P02M020Y | 2000+60 |
| 106 | 1200868681 | 403006E02M010H | 1000+40 |
| 107 | 1200868682 | 403006E02M035H | 3500+60 |
| 108 | 1200868683 | 403006E02M040H | 4000+60 |

| | | | | | | | | |
|--|---|---|--|---|--------------------------|----------------|----------|--------------|
| FUNCTIONAL SYMBOLS | THIS DRAWING CONTAINS INFORMATION THAT IS PROPRIETARY TO MOLEX ELECTRONIC TECHNOLOGIES, LLC AND SHOULD NOT BE USED WITHOUT WRITTEN PERMISSION | CURRENT REV DESC: FIRST RELEASE | |  | | | | |
| | $\nabla_A = 0$ $\nabla_B = 0$ $\nabla_C = 0$ | DIMENSION UNITS: mm SCALE: 1:1 | GENERAL TOLERANCES (UNLESS SPECIFIED) ANGULAR TOL $\pm 1.0^\circ$ | | | | | |
| DIVISIONAL SYMBOLS | 4 PLACES | \pm | EC NO: 686590 | CSE M8 XP AC MA STR XM SE | | | | |
| | 3 PLACES | \pm | DRWN: RSCHIEBER | 2021/11/23 | PRODUCT CUSTOMER DRAWING | | | |
| | 2 PLACES | ± 0.05 | CHK'D: RSILLER | 2021/11/25 | INITIAL REVISION: | | | |
| | 1 PLACE | ± 0.3 | APPR: RSILLER | 2021/11/25 | DOCUMENT NUMBER | DOC TYPE | DOC PART | REVISION |
| 0 PLACES | ± 0.5 | | DRWN: RSCHIEBER | 2021/11/23 | 1200860183 | PSD | 000 | A |
| DRAFT WHERE APPLICABLE MUST REMAIN WITHIN DIMENSIONS | | THIRD ANGLE PROJECTION | DRAWING | SERIES | MATERIAL NUMBER | CUSTOMER | | SHEET NUMBER |
| | |  | A3-SIZE | 120086 | SEE PART LIST | GENERAL MARKET | | 3 OF 3 |