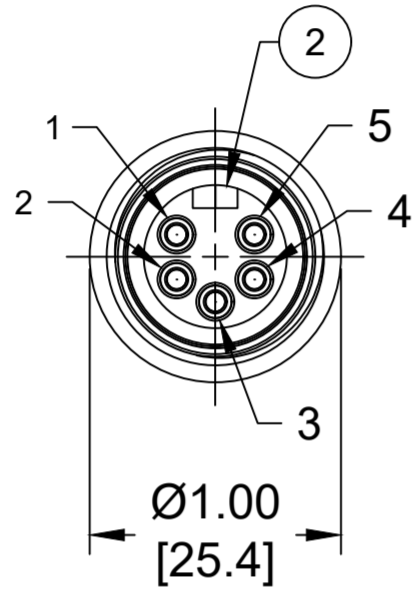
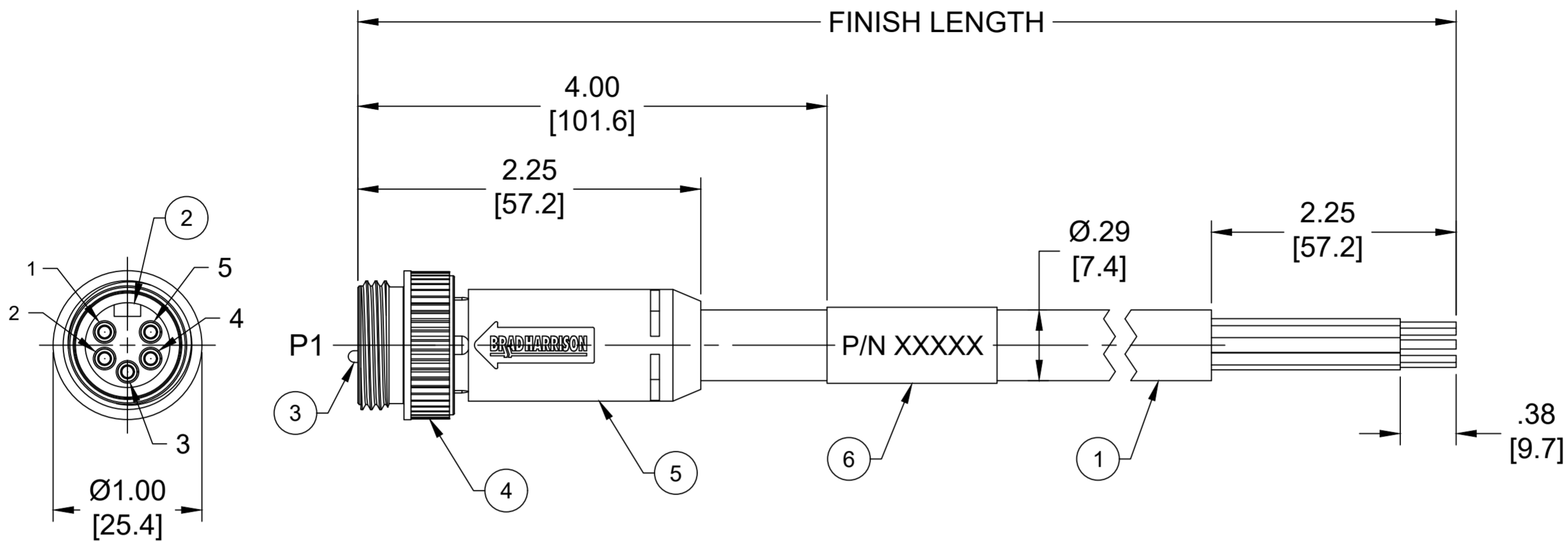
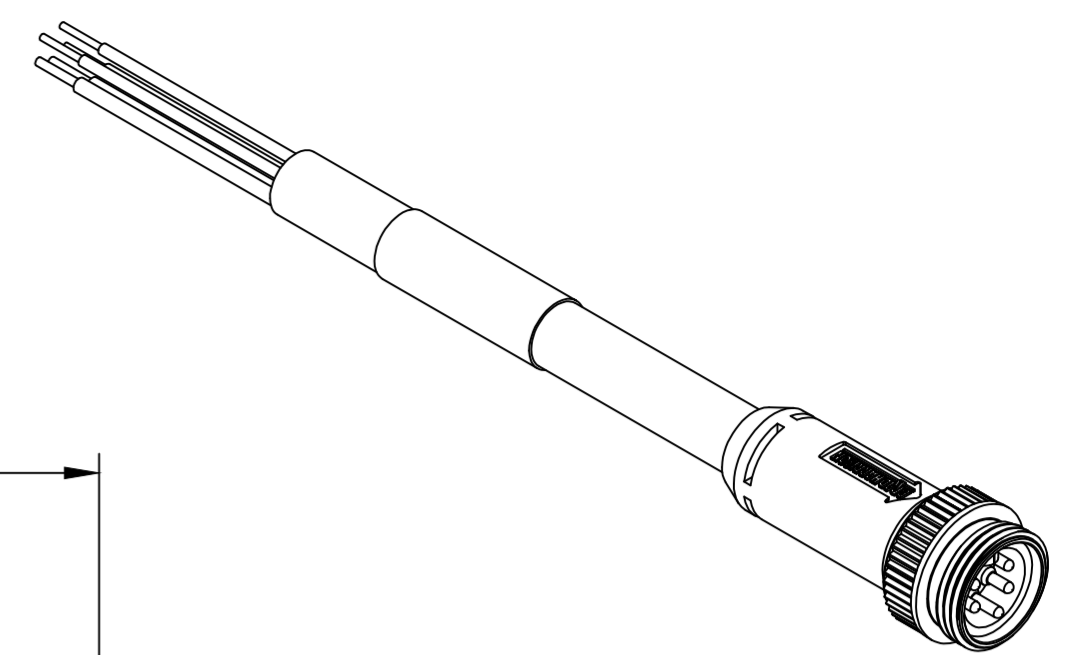


PART NO.	ENGINEERING NO.	FINISHED LENGTH
1300240189	DND01A-M005	0.5M [1FT 8 IN]
1300240198	DND01A-M100	10M [30FT 10 IN]
1300240201	DND01A-M200	20M [65FT 7 IN]

(C)



MALE FACE VIEW

P1	
1	DRAIN
2	RED +V
3	BLACK -V
4	WHITE CAN H
5	BLUE CAN L

WIRING DIAGRAM

NOTES:

- MATERIAL: AS NOTED
- FINISH: AS NOTED
- ELECTRICAL:
VOLTAGE RATING PER IEC60664: 300V
VOLTAGE RATING PER UL: 300V
CURRENT: 4A
- TEMP RATING: -20° TO +80°C
- PROTECTION: IP67 (WHEN MATED)
- COUPLING THREAD: 7/8"-16UN
- UL RECOGNIZED FILE: E152210
CSA CERTIFIED FILE: LR6837 (C)
- ALL DIMENSIONS ARE FOR REFERENCE UNLESS TOLERANCED OR NOTED OTHERWISE

PART NUMBER LEGEND (C)

DND01A-M005
 ↓
 CABLE LENGTH
 M005= 0.5 METER
 M010= 1 METER
 M100= 10 METER

(C) CABLE LENGTH TOLERANCES

<.3M [1FT]:	+19mm-0 [+.75in-0]
.3 - .9M [1 - 3FT]:	+44.5mm-0 [+1.75in-0]
.9 - 1.8M [3 - 6FT]:	+55.6mm-0 [+2.19in-0]
1.8 - 3.7M [6 - 12FT]:	+88.9mm-0 [+3.50in-0]
3.7 - 7.3M [12 - 24FT]:	+165.1mm-0 [+6.50in-0]
7.3-14.6M [24 - 48FT]:	+317.5mm-0 [+12.50in-0]
14.6 - 30.5M [48-100FT]:	+622.3mm-0 [+24.50in-0]
OVER 30M [100FT]:	+2% OF FINISHED LENGTH

ITEM	COMPONENT	MATERIAL	FINISH
6	WRAP LABEL	VINYL	BLACK/YELLOW
5	OVERMOLD	TPE	GRAY
4	COUPLING NUT	ZINC DIE CAST	BLACK-E-COAT
3	CONTACT PIN	BRASS	GOLD OVER NICKEL
2	INSERT	TPE	BLACK
1	CABLE 22 AWG, DEVICENET	PVC JACKET	GRAY

(C)

(C)

FUNCTIONAL SYMBOLS	THIS DRAWING CONTAINS INFORMATION THAT IS PROPRIETARY TO MOLEX ELECTRONIC TECHNOLOGIES, LLC AND SHOULD NOT BE USED WITHOUT WRITTEN PERMISSION			
	DIMENSION UNITS	SCALE	CURRENT REV DESC: ITEM #2 & #5 WERE PVC. ADDED UL & CSA, P/N LEGEND & TOL CHART. MODIFIED P/N CHART	
DIVISIONAL SYMBOLS	INCH/MM	NTS	EC NO: 720800	
	GENERAL TOLERANCES (UNLESS SPECIFIED)		DRWN: ABENJAMINLW	2022/07/14
DIVISIONAL SYMBOLS	4 PLACES	±----	CHK'D: RSTONE	2022/09/09
	3 PLACES	±----	APPR: BWOODMAN	2022/09/09
	2 PLACES	±----	INITIAL REVISION:	
	1 PLACE	±----	DRWN: TWOLDEGE	2010/01/06
0 PLACES	±----	APPR: JFMURPHY	2010/01/20	
ANGULAR TOL ± ---- °		THIRD ANGLE PROJECTION		
DRAFT WHERE APPLICABLE MUST REMAIN WITHIN DIMENSIONS		DRAWING	SERIES	MATERIAL NUMBER
		C-SIZE	130024	SEE CHART
		CUSTOMER		SHEET NUMBER
		GENERAL MARKET		1 OF 1



MINI-CHANGE DEVICENET, A SIZE 5 POLE, MALE, STRAIGHT, SINGLE KEY, #22/4AWG

PRODUCT CUSTOMER DRAWING

DOCUMENT NUMBER: SD-130024-090
 DOC TYPE/DOC PART/REVISION: PSD 001 C