

E

D

C

B

A

6

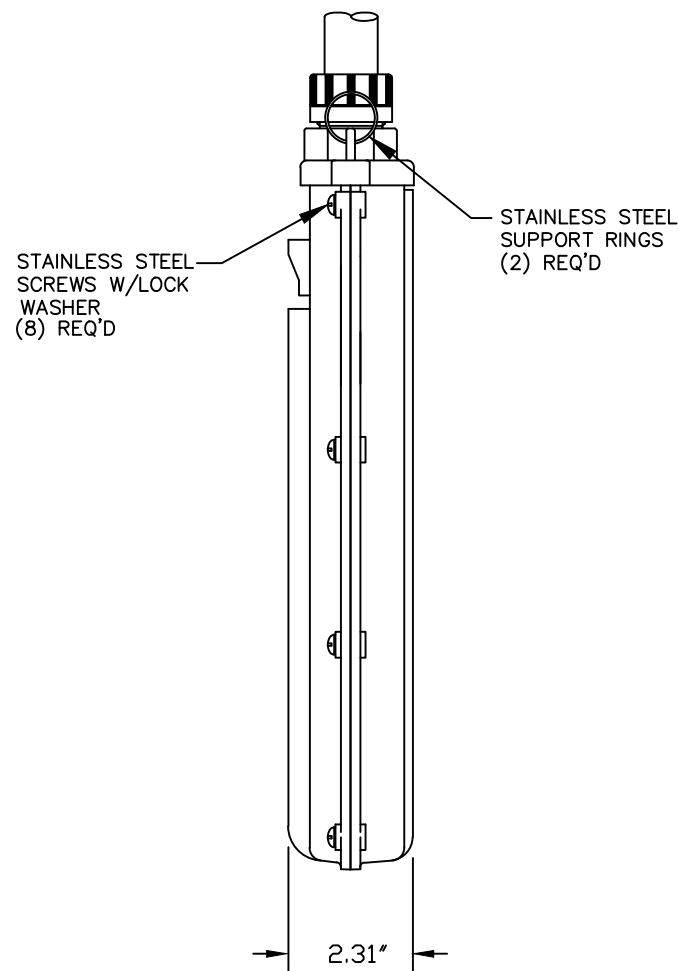
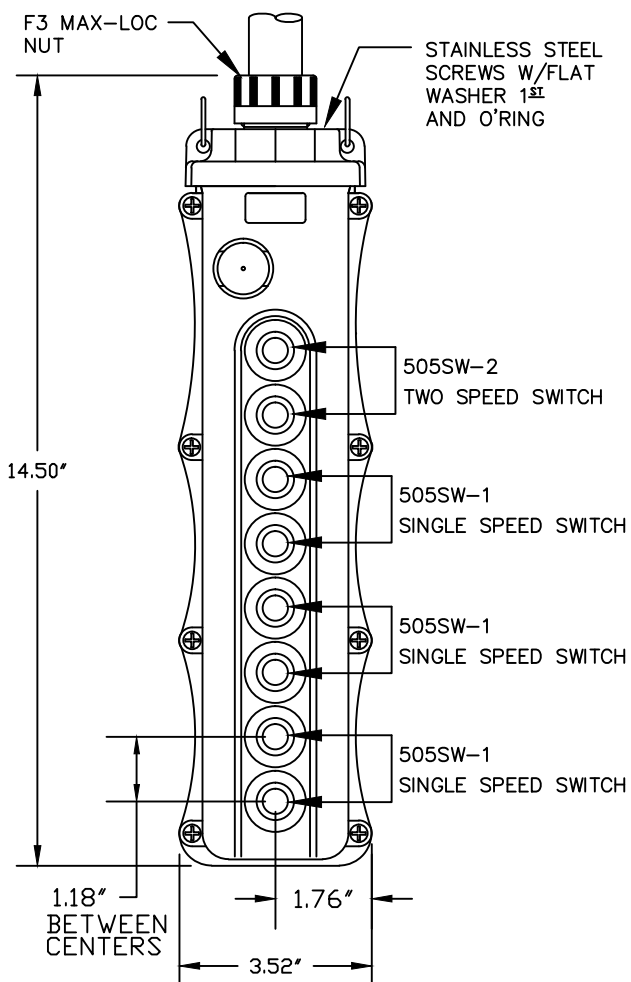
5

4

3

2

1



NOTES:

1. INSTALLATION INSTRUCTIONS, BUTTON ID. LABELS. ARE PACK WITH THE PART.
2. ALL BUTTONS ARE HIGH AMBIENT, CHEMICALLY RESISTANT MATERIAL - COLOR BLACK

DELETED 1 (3) 505SW-1 EC NO: WNA2011-0473 DRWN: HKNEELAN 3/22/11 CHKD: HKNEELAN APPR: DTITUS 2008/06/06	DESCRIPTION REV B	QUALITY SYMBOLS $\nabla=0$ $\nabla/C=0$	GENERAL TOLERANCES (UNLESS SPECIFIED)			DIMENSION STYLE		SCALE	DESIGN UNITS	THIRD ANGLE PROJECTION		
						INCHES		NTS	INCH			
			4 PLACES	mm	INCH	DRAWN BY	DATE	TITLE				
			3 PLACES	±--	±--	TV	2008/06/06	PLASTIC PENDANT				
2 PLACES	±--	±.020	3 PLACES	±--	±.010	CHECKED BY	DATE	5058 W/ 505SW-2				
1 PLACE	±--	±.005	1 PLACE	±--	±.005	HK	2008/06/06	(3) 505SW-1				
ANGULAR ±.5°			DRAFT WHERE APPLICABLE MUST REMAIN WITHIN DIMENSIONS			APPROVED BY	DATE	MOLEX INCORPORATED				
						SZ	2008/06/06	SD-130126-012				
						MATERIAL NO.	1301260290	DOCUMENT NO.	SD-130126-012			
						SIZE	A	THIS DRAWING CONTAINS INFORMATION THAT IS PROPRIETARY TO MOLEX INCORPORATED AND SHOULD NOT BE USED WITHOUT WRITTEN PERMISSION				
									SHEET NO. 1 OF 1			

6

5

4

3

2

1

E

D

C

B

A