

Housing - HC-STA-D25-CHWS-1TTM25-EL-AL - 1424387

Please be informed that the data shown in this PDF Document is generated from our Online Catalog. Please find the complete data in the user's documentation. Our General Terms of Use for Downloads are valid (<http://phoenixcontact.com/download>)



Coupling housings D25, with single locking latch, material: Die-cast aluminum, salt water resistant, cable outlets: 1, straight, height: 68 mm, cable gland: none, support sleeve: no, 1x M25, Standard



Key Commercial Data

Packing unit	1 pc
GTIN	
GTIN	4055626371276

Technical data

Dimensions

Height	68 mm
Width	30 mm
Length	80 mm

Ambient conditions

Degree of protection (IP)	IP66
	IP67
Ambient temperature (operation)	-40 °C ... 125 °C

General

Note	For contact inserts HC-D25, A16
Size	D25
Housing type	Coupling housings
Color	gray aluminum
Locking type	with single locking latch
No. of cable outlets	1
Cable outlet	straight
Screw connection	none
Type of the screw connection	1x M25

Housing - HC-STA-D25-CHWS-1TTM25-EL-AL - 1424387

Technical data

General

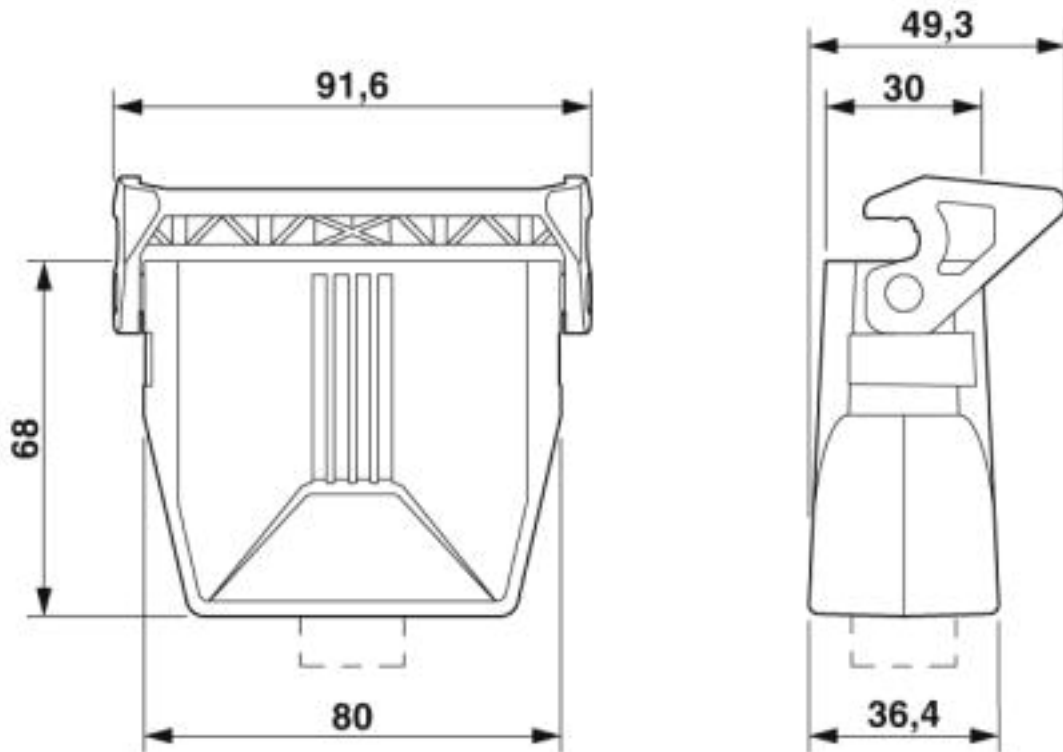
Housing material	Die-cast aluminum, salt water resistant
Housing surface material	uncoated
Material lock	PA

Environmental Product Compliance

China RoHS	Environmentally Friendly Use Period = 50
	For details about hazardous substances go to tab "Downloads", Category "Manufacturer's declaration"

Drawings

Dimensional drawing



Dimensional drawing

Approvals

Approvals

Approvals

EAC / UL Recognized / cUL Recognized / DNV GL / cULus Recognized

Housing - HC-STA-D25-CHWS-1TTM25-EL-AL - 1424387

Approvals

Ex Approvals

Approval details

EAC			EAC-Zulassung
UL Recognized		http://database.ul.com/cgi-bin/XYV/template/LISEXT/1FRAME/index.htm	E255026
cUL Recognized		http://database.ul.com/cgi-bin/XYV/template/LISEXT/1FRAME/index.htm	E255026
DNV GL		https://approvalfinder.dnvgl.com/	TAE000037S
cULus Recognized			

Phoenix Contact 2019 © - all rights reserved
<http://www.phoenixcontact.com>

PHOENIX CONTACT GmbH & Co. KG
Flachsmarktstr. 8
32825 Blomberg
Germany
Tel. +49 5235 300
Fax +49 5235 3 41200
<http://www.phoenixcontact.com>