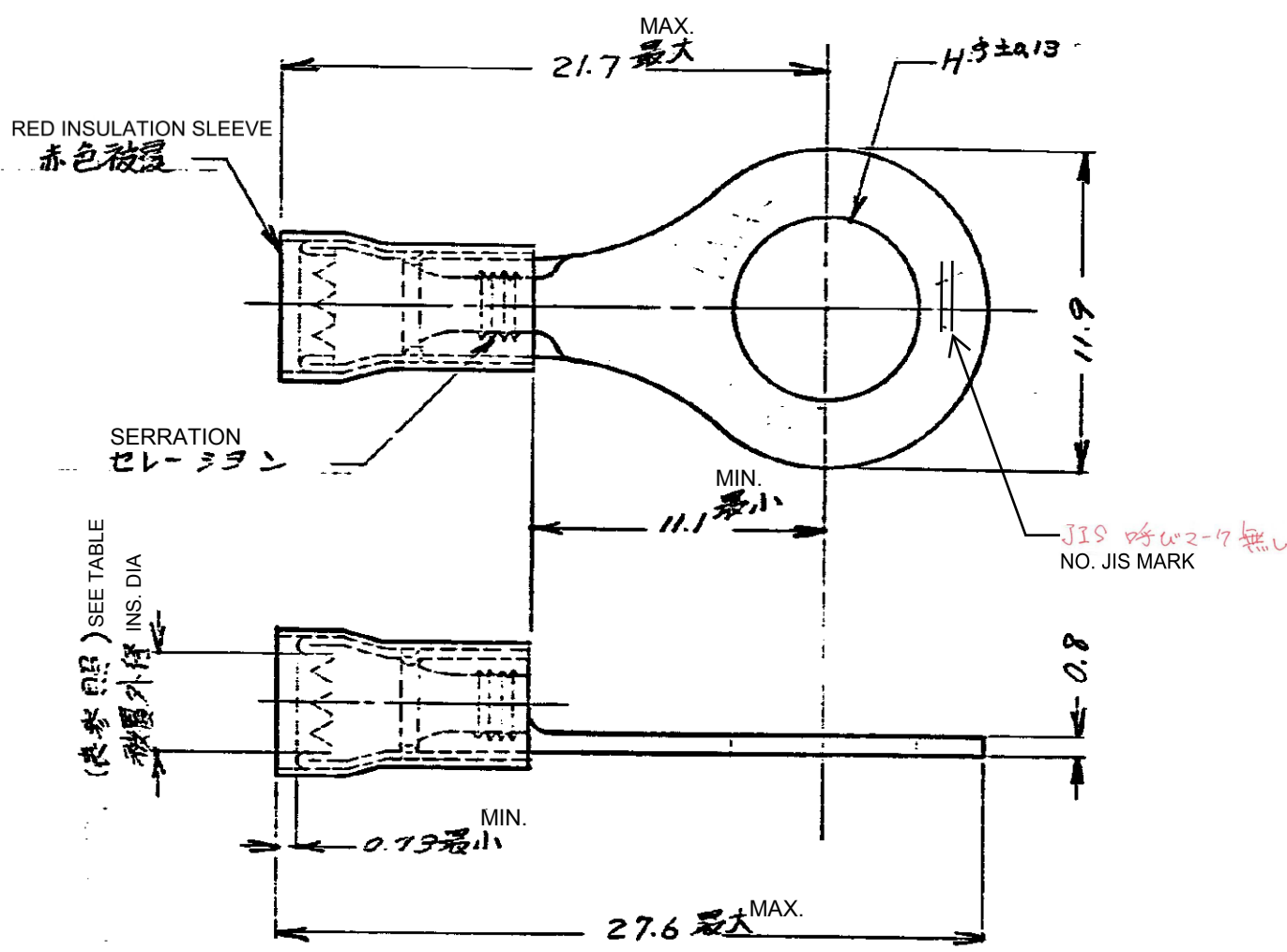


C-171507



PARTS NUMBER	STUD	H DIMENSION	INS. DIA
171507-1	1/4	6.73	2.03 ~ 3.18
↓	5/16	8.33	2.03 ~ 3.18
OBSOLETE	↓	1/4	6.73
OBSOLETE	171507-4	5/16	8.33
			2.66 ~ 3.36

DIMENSIONS IN MM DO NOT SCALE

G	OBSOLETE	Y.O	N.Y	14APR17				
F	Change Applicable Body	Y.O	N.Y	23JAN17	H	REVISED PER ECR-17-017886	E.T	N.Y 08DEC17
E	REVISED (REV-D) <i>P-DWG</i>	X.Y	N.Y	4/2/18	© 1975 BY AMP CORP. ALL RIGHTS RESERVED. AMP PRODUCTS COVERED BY PATENTS AND/OR PATENTS PENDING.			お客様専用 REFERENCE ONLY
D	REVISED (REV-C) <i>P-DWG</i>	S.O	N.Y	11/17	MATERIAL COPPER 銅 電気銅			TE Connectivity
C	ADDED MARK	H.S	ARI	3/1/15	TIN PLATING 鍍金			
B	REVISED (REV-B) <i>P-DWG</i>	H.S	ARI	7/1/15	DIMENSION RANGE 0.26 ~ 1.04			
A	REVISED (REV-A) <i>P-DWG</i>	H.S	K.M	12/1	CLASS			
C	31092-21-31925			10/1/15	SIZE			
4	REVISION RECORD:	DR	CHK	DATE	TOLERANCE EXCEPT AS NOTED	4-1	JIA	C-171507 H
4-1 10/10/17					丸型 端 WIRE TERMINAL ASSEMBLY			