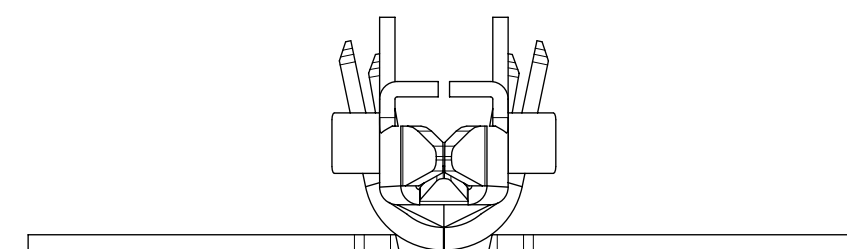


PART LEGEND

172765- * 1 2 *

SERIES	FORM
WIRE GAGE (INS OD RANGE)	1 = CHAIN
1 = 16 (Ø1.98-2.55)	2 = LOOSE
2 = 16 (Ø2.55-3.14)	MATERIAL
3 = 18-20 (Ø1.42-2.10)	2 = BRASS
4 = 18-20 (Ø2.10-2.85)	PLATING
5 = 22-24 (Ø1.07-1.65)	1 = HOT TIN DIP (PRE-PLATE)
6 = 22-24 (Ø1.65-2.38)	

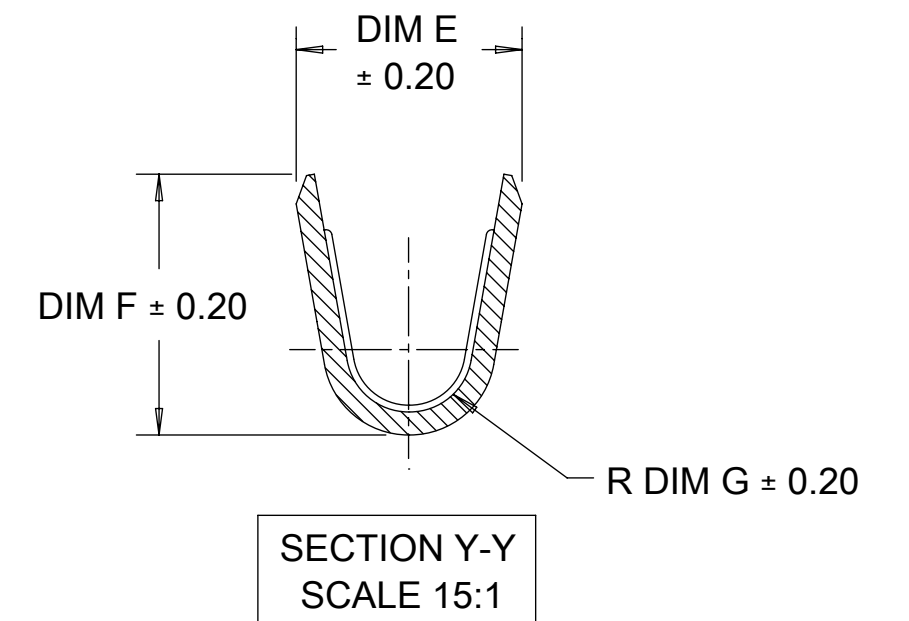
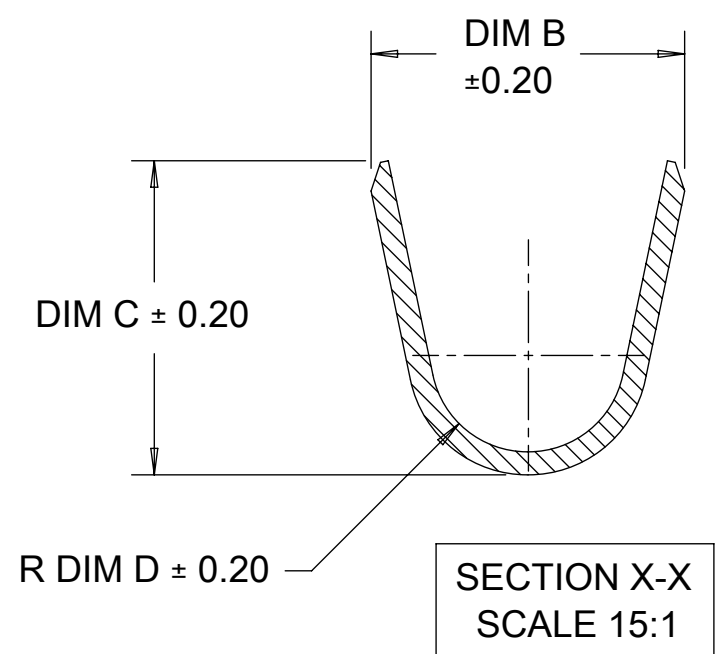
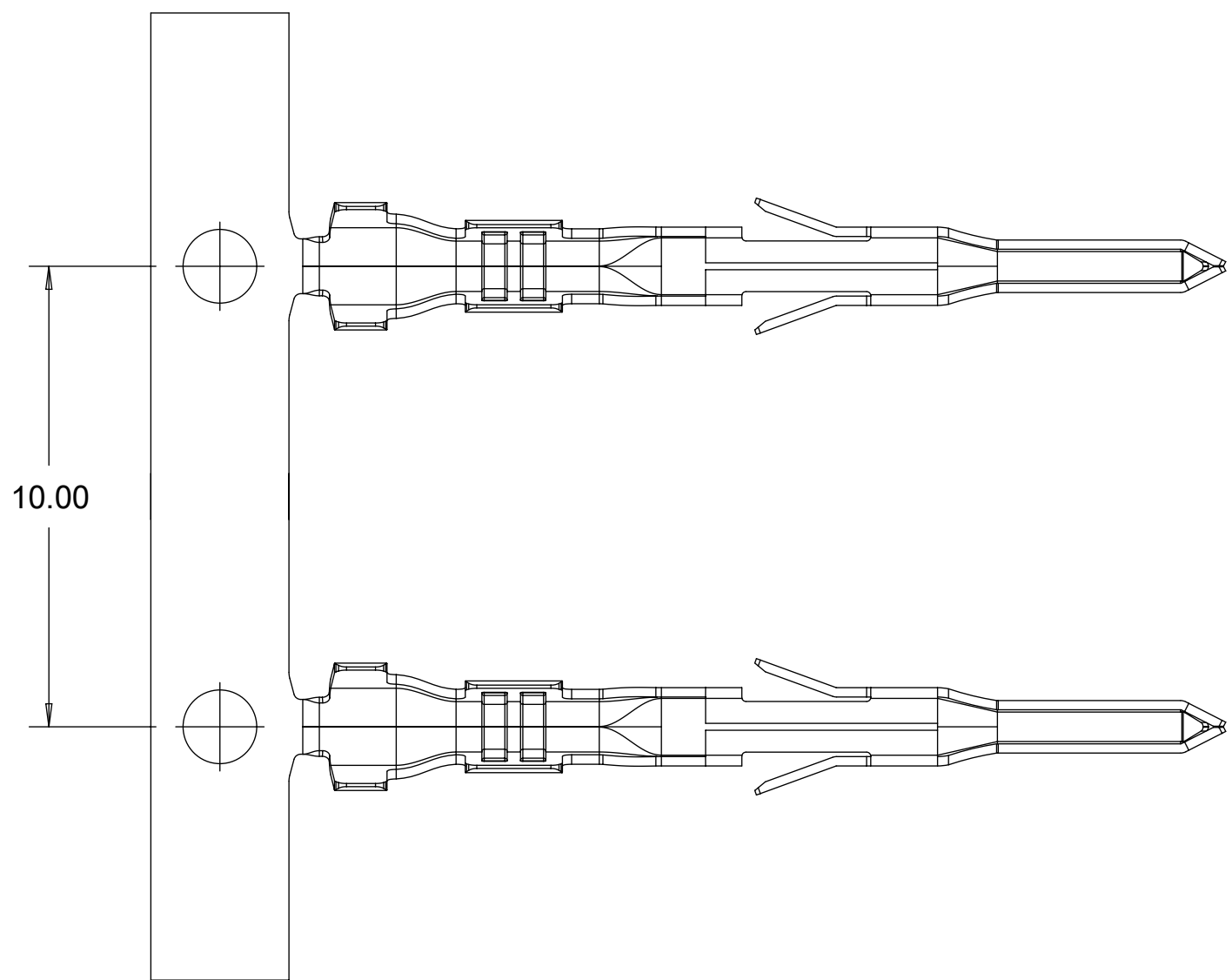
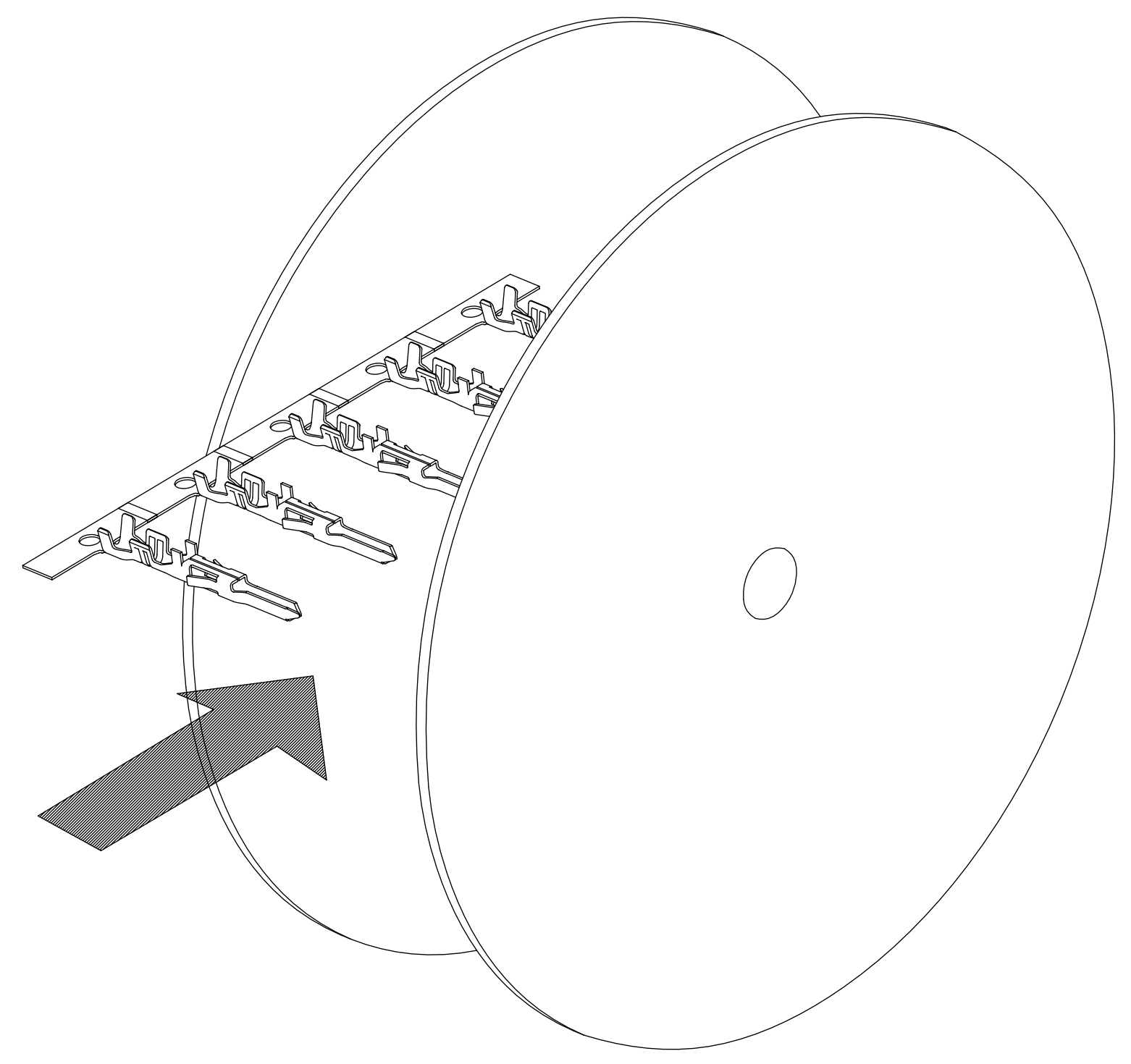


NOTES:

- MATERIAL:
BRASS ALLOY
- PRE-PLATED: HOT TIN DIP, OVERALL 2.5 m MIN
- PRODUCT SPECIFICATION: PS-172718-0000
APPLICATION SPECIFICATION: AS-172718-0000
- THIS TERMINAL TO BE USED WITH HOUSING SERIES 172762 AND 172767.
- THIS TERMINAL MATES WITH FEMALE CRIMP TERMINAL SERIES 5556 & 172718.
- PACKAGING: REELS TO BE PACKED PER PK-172765-0000
LOOSE TERMINALS PER PK-172765-0001
- PART CONFORMS TO CLASS 'B' REQUIREMENTS OF COSMETIC SPEC PS-45499-002.
- WHEN TERMINALS ARE INSTALLED IN THE HOUSING THE WIRE ARE TO BE DRESSED IN SUCH A MANNER TO ALLOW THE TERMINALS TO FLOAT FREELY IN THE HOUSING POCKET
- THIS TERMINALS IS DESIGNED FOR SINGLE WIRE CRIMPING.

THIS DRAWING CONTAINS INFORMATION THAT IS PROPRIETARY TO MOLEX INCORPORATED AND SHOULD NOT BE USED WITHOUT WRITTEN PERMISSION											
EC DESCRIPTION 664404 2021/05/14 DRWN: KCHIKKANNA 2021/05/19 CHKD: KCHIKKANNA 2021/05/20 REV / APPR: ISHWARG	GENERAL TOLERANCES (UNLESS SPECIFIED)			DIMENSION UNITS	SCALE						
	ANGULAR TOL ± °			mm	10:1						
	4 PLACES ±	TGREGORI		DATE	2014/12/23						
	3 PLACES ±	CHKD BY		DATE							
	2 PLACES ± 0.10	APPR BY		DATE	2014/02/26						
	1 PLACE ± 0.2	DRAWING SIZE		THIRD ANGLE PROJECTION	C						
0 PLACES ±	DRAFT WHERE APPLICABLE MUST REMAIN WITHIN DIMENSIONS					PRODUCT CUSTOMER DRAWING SERIES: 172765 MATERIAL NUMBER: SEE TABLE SHEET 2 CUSTOMER: GENERAL MARKET DOCUMENT NUMBER: SD-172765-0000 DOC TYPE: PSD DOC PART: 000 SHEET NUMBER: 1 OF 2					

	MOLEX PART NUMBER	BASE MAT'L	WIRE AWG	COMBINATION WIRE AWG	WIRE OD RANGE	DIM B	DIM C	DIM D	DIM E	DIM F	DIM G	
CHAIN	172765-1121	BRASS	16	NA	1.98-2.55	3.27	3.43	1.00	2.35	2.90	0.70	
	172765-2121			NA	2.55-3.14	3.74	3.66	1.43				
	172765-3121		18-20	NA	1.42-2.10	2.77	2.77	0.85	2.00	2.30	0.55	
	172765-4121			22+22 AWG	2.10-2.85	3.36	3.37	1.25				
	172765-5121		22-24	NA	1.07-1.65	2.33	2.27	0.70	1.68	1.65	0.40	
	172765-6121			NA	1.65-2.38	3.14	3.09	1.00				
LOOSE	172765-1122		BRASS	16	NA	1.98-2.55	3.27	3.43	1.00	2.35	2.90	0.70
	172765-2122				NA	2.55-3.14	3.74	3.66	1.43			
	172765-3122			18-20	NA	1.42-2.10	2.77	2.77	0.85	2.00	2.30	0.55
	172765-4122				NA	2.10-2.85	3.36	3.37	1.25			
	172765-5122			22-24	NA	1.07-1.65	2.33	2.27	0.70	1.68	1.65	0.40
	172765-6122				NA	1.65-2.38	3.14	3.09	1.00			



THIS DRAWING CONTAINS INFORMATION THAT IS PROPRIETARY TO MOLEX INCORPORATED AND SHOULD NOT BE USED WITHOUT WRITTEN PERMISSION											
EC DESCRIPTION 664404 DRWN: KCHIKKANNA CHKD: KCHIKKANNA REV / APPR: ISHWARG	GENERAL TOLERANCES (UNLESS SPECIFIED)		DIMENSION UNITS	SCALE							
	ANGULAR TOL ±		mm	7:1							
	4 PLACES ±	TGREGORI		DATE	2014/12/23						
	3 PLACES ±	CHKD BY		DATE							
	2 PLACES ± 0.10	APPR BY		DATE	RHODGE 2014/02/26						
1 PLACE ± 0.2	DRAWING SIZE		THIRD ANGLE PROJECTION	PRODUCT CUSTOMER DRAWING							
0 PLACES ±	DRAFT WHERE APPLICABLE MUST REMAIN WITHIN DIMENSIONS		C	SERIES		MATERIAL NUMBER		CUSTOMER			
				172765		SEE TABLE		GENERAL MARKET			
				DOCUMENT NUMBER		DOC TYPE		DOC PART		SHEET NUMBER	
				SD-172765-0000		PSD		000		2 OF 2	