

1 2 3 4 5 6

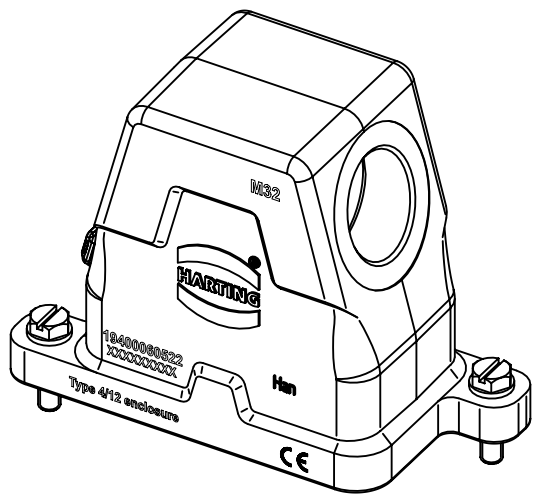
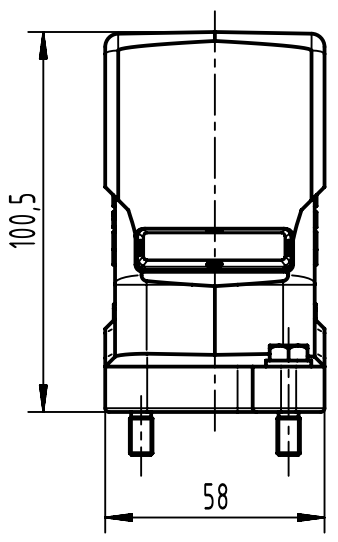
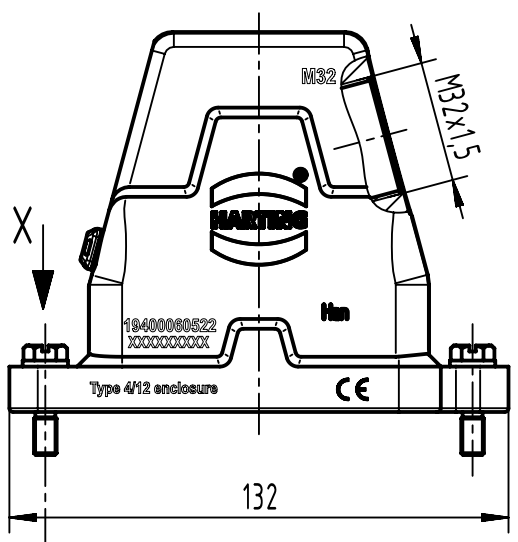
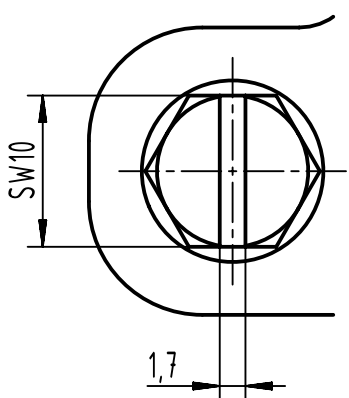
A

B

C

D

X (2:1)



	All Dimensions in mm Original Size DIN A4		Scale 1:2	Free size tol.		Ref.
						Sub.
	All rights reserved		Created by HOLLERT	Inspected by SUNDERMEIER	Standardisation 302077	Date 2021-02-22
	Department EL PD					State Final Release
HARTING			Title Han 6HPR-HSE-M32 Screw Lock -Tag			Doc-Key / ECM-Nr. 100567468/UGD/004/E 500000187340
D-32339 Espelkamp			Type TB	Number 19 40 006 0522		
						Page 1/1