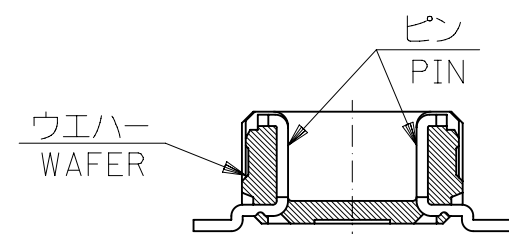
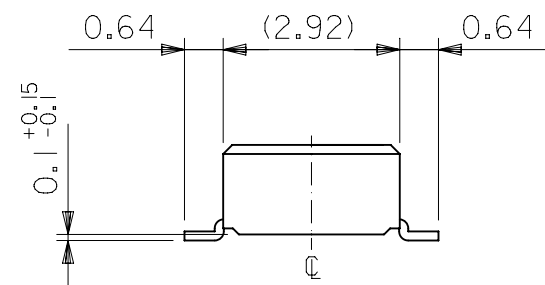
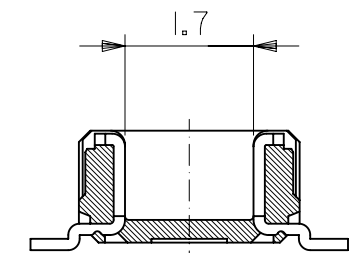


参考基板レイアウト (マウント面)
P.C.BOARD PATTERN DIMENSION (REF.)
(MOUNTING AREA)



SECT.W-W(LOCK PART)



SECT.V-V(W/O LOCK PART)

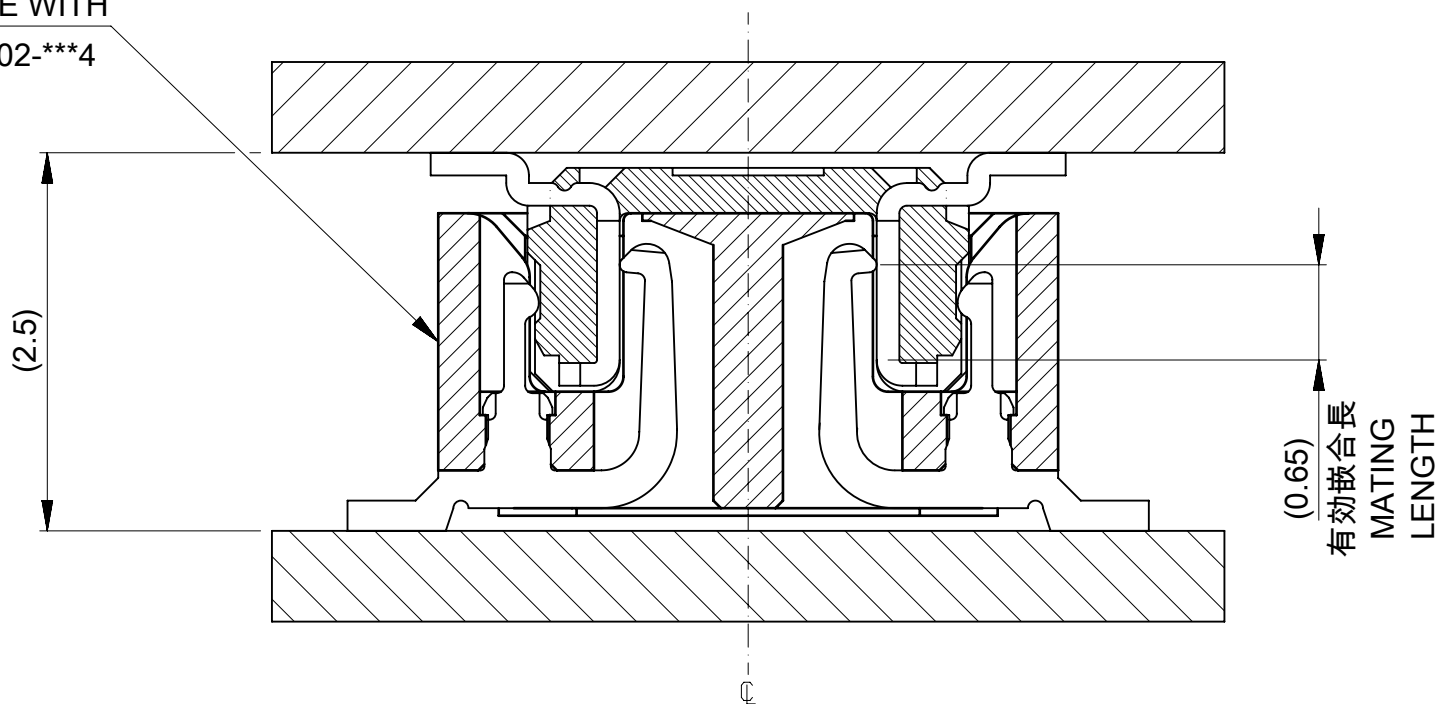
NONE	20.55	19.5	21.45	500334-0800	80
ALL	4.55	3.5	5.45	500334-0160	16
LOCK POSITION	C	B	A	EMBOSSED TAPE PACKAGE	CIRCUIT
				ORDER No.	

CONNECTOR SERIES No. 500334-***8

THIS DRAWING CONTAINS INFORMATION THAT IS PROPRIETARY TO MOLEX ELECTRONIC TECHNOLOGIES, LLC AND SHOULD NOT BE USED WITHOUT WRITTEN PERMISSION

DIMENSION UNITS mm	SCALE 8:1	CURRENT REV DESC: REVISED		molex	
GENERAL TOLERANCES (UNLESS SPECIFIED)		EC NO: 642297			
ANGULAR TOL ± 30°		DRWN: BJAYARAM 2020/09/04		PRODUCT CUSTOMER DRAWING	
4 PLACES ± 0.2		CHK'D: HSHIMOYAMA 2020/11/30		DOCUMENT NUMBER	
3 PLACES ± 0.25		APPR: SHOSHIKAWA 2020/11/30		DOC TYPE DOC PART REVISION	
2 PLACES ± 0.3		INITIAL REVISION:		SD-500334-001	
1 PLACE ±		DRWN: TYASUI 2003/04/17		PSD 001 C	
0 PLACES ±		APPR: TOITO 2003/04/18		MATERIAL NUMBER	
DRAFT WHERE APPLICABLE MUST REMAIN WITHIN DIMENSIONS		THIRD ANGLE PROJECTION		CUSTOMER	
		DRAWING A3-SIZE		GENERAL	
		SERIES 500334		SHEET NUMBER	
				1 OF 2	

嵌合相手
MATE WITH
54102-***4



嵌合断面図 (参考)
MATED DRAWING (REF.)

注記 NOTES:

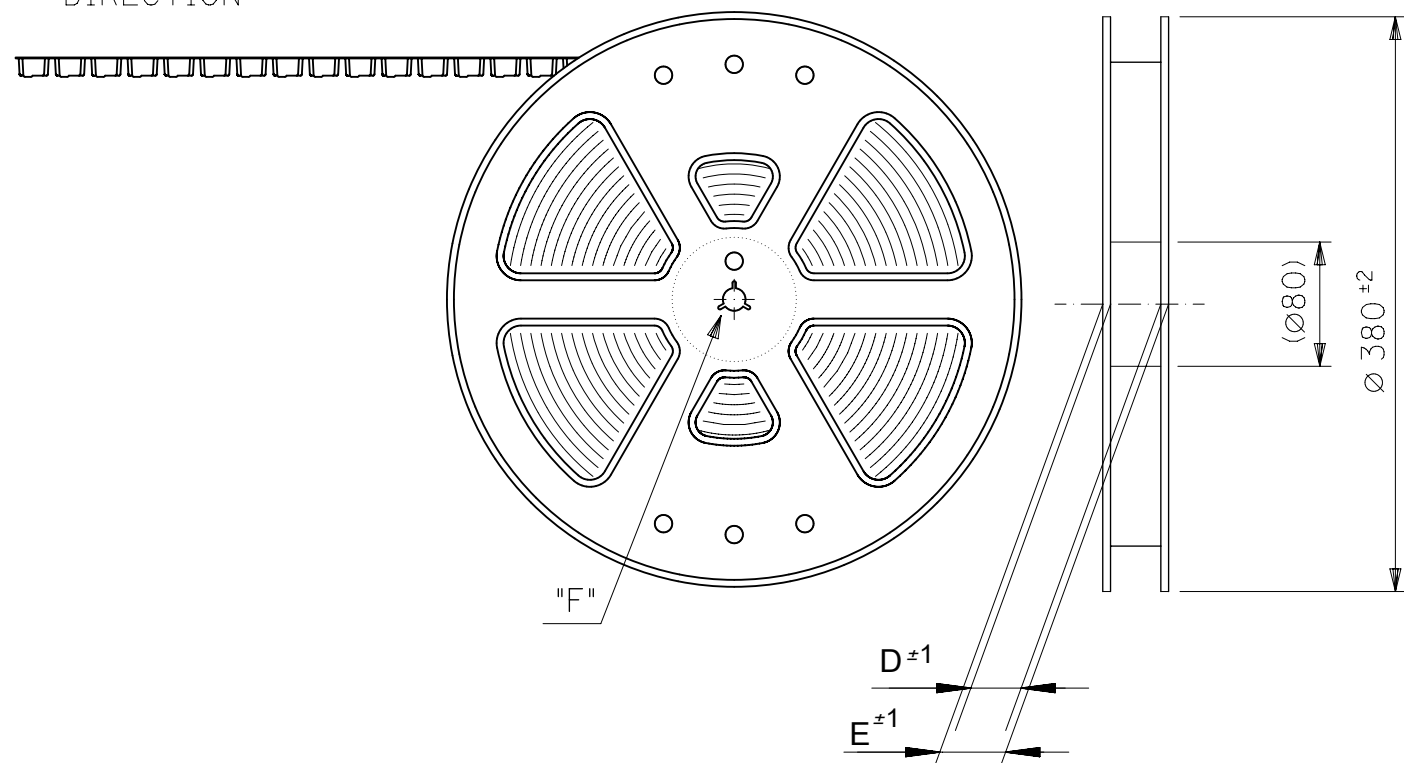
1. 使用材料 MATERIAL
ハウジング : 液晶ポリマー (LCP), ガラス充填, UL94V-0, 色 : 黒
HOUSING: LIQUID CRYSTAL POLYMER(LCP), GLASS FILLED
UL94V-0, COLOR: BLACK
ターミナル : 黄銅 (t=0.15)
TERMINAL:BRASS(t=0.15)
2. メッキ仕様 PLATING
金メッキ 0.25マイクロメートル以上 (コンタクト部)
GOLD(Au) 0.25 MICROMETER MINIMUM (CONTACT AREA)
金メッキ (テール部)
GOLD PLATING (SOLDER TAIL AREA)
下地メッキ : ニッケルメッキ 1.5マイクロメートル以上
UNDER PLATING : NICKEL 1.5 MICROMETER MINIMUM
3. (全極数/2) = 偶数の場合に適用。
APPLY FOR (CIRCUIT/2)=EVEN.
4. 嵌合相手 : 54102シリーズ (嵌合高さ = 2.5mm)
MATE WITH : 54102 SERIES. (HEIGHT = 2.5mm)
5. テール平坦度は 0.1 以下。
TAIL COPLANARITY TO BE 0.1 MAXIMUM.

THIS DRAWING CONTAINS INFORMATION THAT IS PROPRIETARY TO MOLEX ELECTRONIC TECHNOLOGIES, LLC AND SHOULD NOT BE USED WITHOUT WRITTEN PERMISSION		CURRENT REV DESC: REVISED		molex	
DIMENSION UNITS	SCALE	EC NO: 642297			
mm	20:1	DRWN: BJAYARAM 2020/09/04		PRODUCT CUSTOMER DRAWING	
GENERAL TOLERANCES (UNLESS SPECIFIED)		CHK'D: HSHIMUYAMA 2020/11/30		DOCUMENT NUMBER	
ANGULAR TOL ± 30°		APPR: SHOSHIKAWA 2020/11/30		SD-500334-001	
4 PLACES ± 0.2		INITIAL REVISION:		DOC TYPE DOC PART REVISION	
3 PLACES ± 0.25		DRWN: TYASUI 2003/04/17		PSD 001 C	
2 PLACES ± 0.3		APPR: TOITO 2003/04/18		MATERIAL NUMBER	
1 PLACE ±		THIRD ANGLE PROJECTION		CUSTOMER	
0 PLACES ±		DRAWING		GENERAL	
GENERAL TOLERANCES (UNLESS SPECIFIED)		SERIES		SHEET NUMBER	
10 ^{UNDER}	±0.2	A3-SIZE		2 OF 2	
10 ^{OVER} 30 ^{UNDER}	±0.25	500334			
30 ^{OVER}	±0.3	SEE CHART			
ANGULAR ±3°		GENERAL			
DRAFT WHERE APPLICABLE MUST REMAIN WITHIN DIMENSIONS		DRAWING			
DRAFT WHERE APPLICABLE MUST REMAIN WITHIN DIMENSIONS		SERIES			

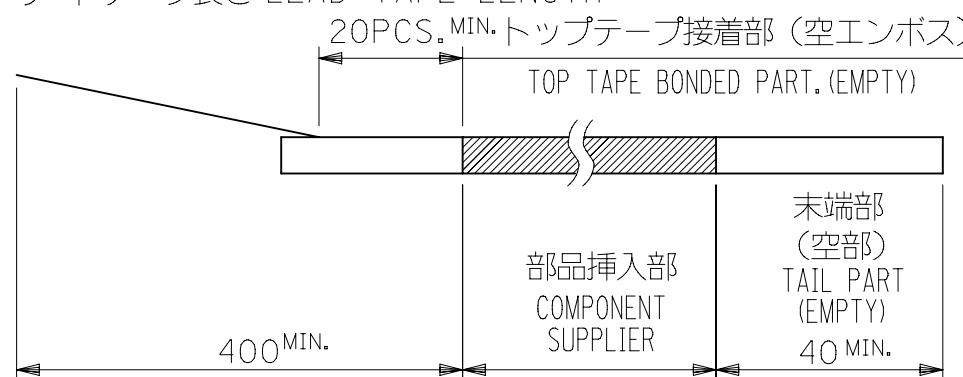
NOTES

- 製品詳細寸法については図面 SD-500334-001 を参照下さい。
DETAIL DIMENSION, SEE SD-500334-001
- 梱包数量：3000個/リール
NUMBER OF CONNECTORS : 3000PCS/REEL
- リードテープ長さ LEAD TAPE LENGTH

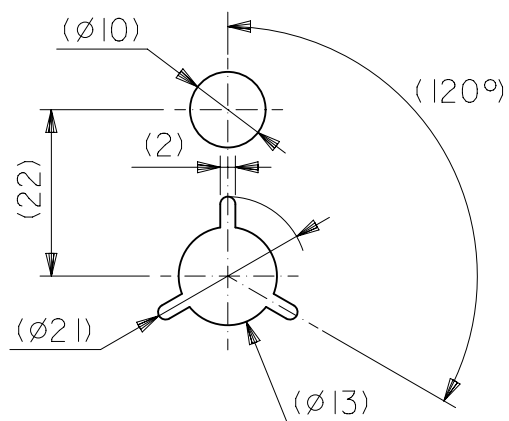
引き出し方向
←
PULL OUT
DIRECTION



引き出し方向
←
PULL OUT
DIRECTION

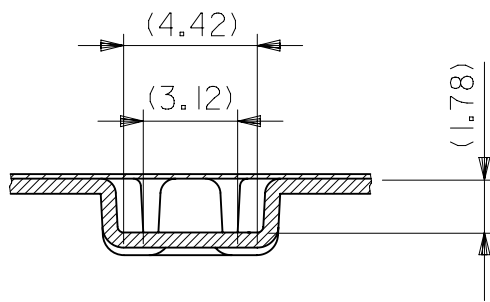
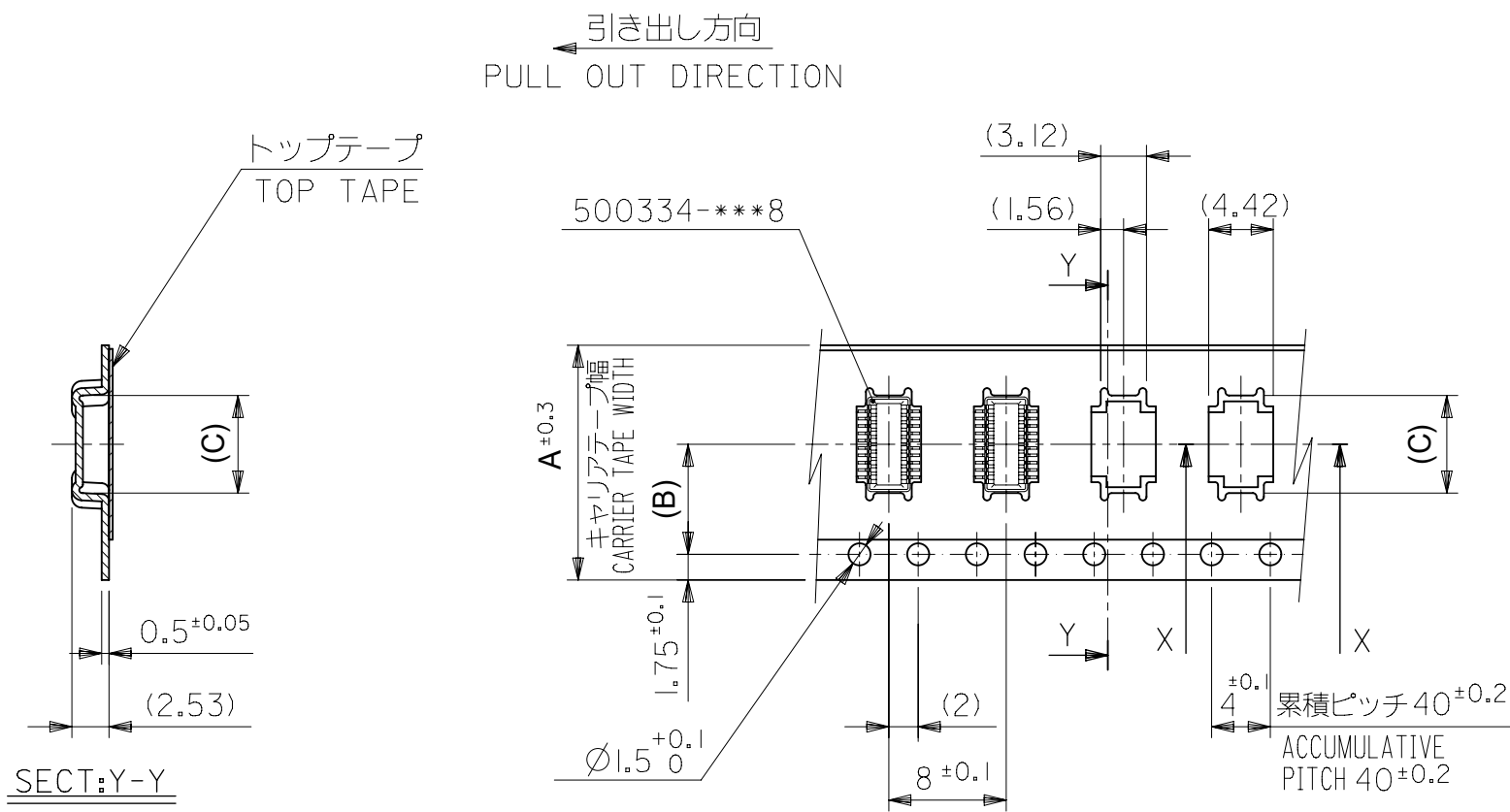


- カバーテープの剥離強度については、IEC60286-3に準拠
COVER TAPE PEEL FORCE IS DEFINED BY IEC60286-3.
- 材料 MATERIAL
キャリアテープ：ポリプロピレン (PP)
CARRIER TAPE : POLYPROPYLENE (PP)
トップテープ;ポリエステル(PET),ポリエチレン(PE),ポリエチレンフォーム(PEF)
TOP TAPE : POLYESTER (PET)、POLYETHYLENE (PE)、POLYETHYLENEFOAM (PEF)
リール：ポリスチレン (PS) <リサイクル材を含む>
REEL : POLYSTYRENE (PS) <RECYCLE MATERIAL CONTAINED>



DETAIL "F"

THIS DRAWING CONTAINS INFORMATION THAT IS PROPRIETARY TO MOLEX ELECTRONIC TECHNOLOGIES, LLC AND SHOULD NOT BE USED WITHOUT WRITTEN PERMISSION		CURRENT REV DESC: REVISED		molex	
DIMENSION UNITS	SCALE	EC NO: 642297			
mm	NTS	DRWN: BJAYARAM 2020/09/09		PRODUCT CUSTOMER DRAWING	
GENERAL TOLERANCES (UNLESS SPECIFIED)		CHK'D: HSHIMUYAMA 2020/11/30		DOCUMENT NUMBER	
ANGULAR TOL ± 30°		APPR: SHOSHIKAWA 2020/11/30		SD-500334-002	
4 PLACES ± 0.2		INITIAL REVISION:		DOC TYPE DOC PART REVISION	
3 PLACES ± 0.25		DRWN: TYASUI 2003/05/06		PSD 001 D	
2 PLACES ± 0.3		APPR: TOITO 2003/05/07		MATERIAL NUMBER	
1 PLACE ±		THIRD ANGLE PROJECTION		CUSTOMER	
0 PLACES ±		DRAWING		SHEET NUMBER	
DRAFT WHERE APPLICABLE MUST REMAIN WITHIN DIMENSIONS		SERIES		GENERAL	
DRAFT WHERE APPLICABLE MUST REMAIN WITHIN DIMENSIONS		A3-SIZE		1 OF 3	
		500334		SEE SHEET 2-3	



16mm幅キャリアテープ
16mm WIDTH CARRIER TAPE

21.4	17.4	5.65	7.5	16	500334-0160	16
E	D	(C)	(B)	A	EMBOSSED TAPE PACKAGE	極数
ORDER No.						CKT

THIS DRAWING CONTAINS INFORMATION THAT IS PROPRIETARY TO MOLEX ELECTRONIC TECHNOLOGIES, LLC AND SHOULD NOT BE USED WITHOUT WRITTEN PERMISSION

CURRENT REV DESC: REVISED

molex

0.5 MM PITCH B-TO-B CONN.
HEIGHT = 2.5 PLUG EMBOSS TAPE PACKAGE

PRODUCT CUSTOMER DRAWING

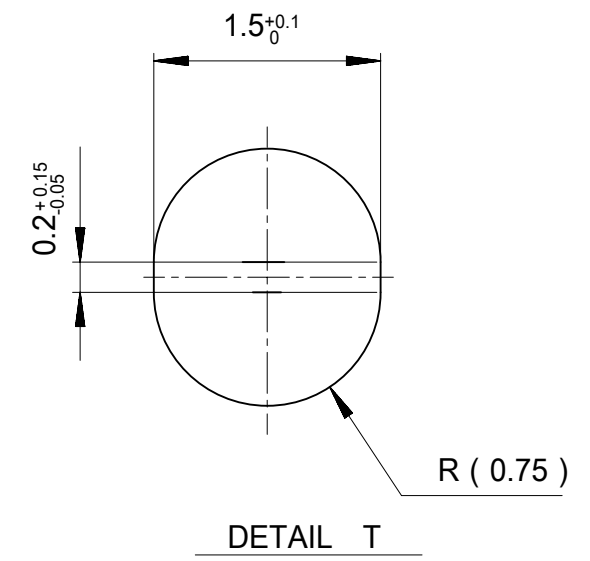
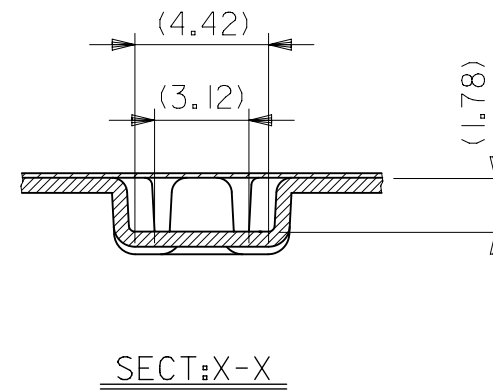
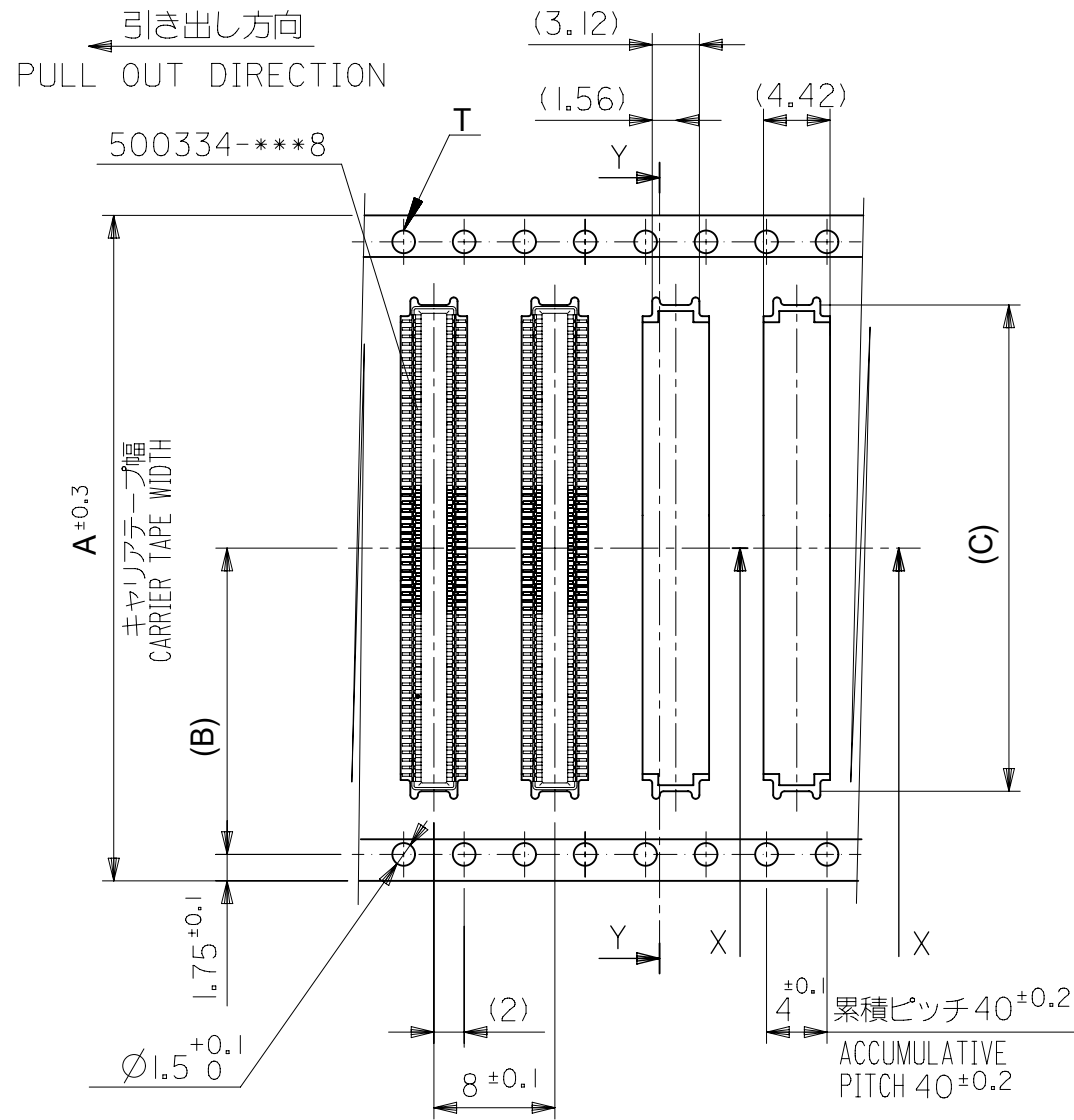
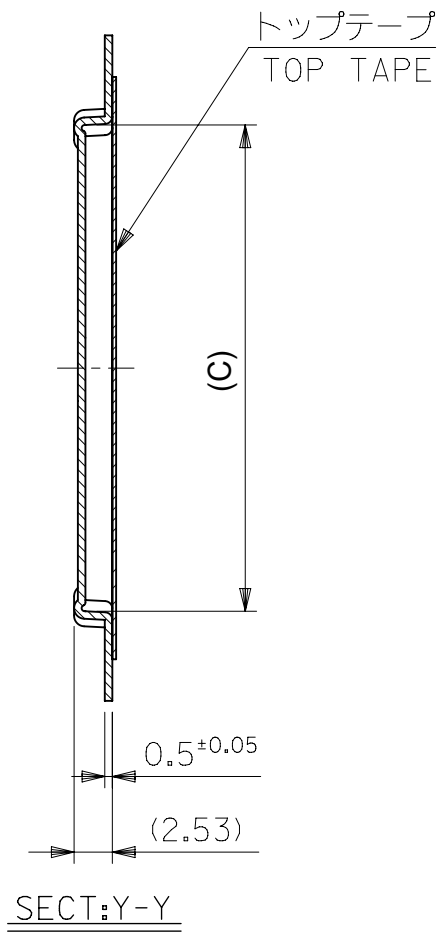
EC NO: 642297
DRWN: BJAYARAM 2020/09/09
CHK'D: HSHIMOYAMA 2020/11/30
APPR: SHOSHIKAWA 2020/11/30

INITIAL REVISION:
DRWN: TYASUI 2003/05/06
APPR: TOITO 2003/05/07

DOCUMENT NUMBER	DOC TYPE	DOC PART	REVISION
SD-500334-002	PSD	001	D

DRAWING	SERIES	MATERIAL NUMBER	CUSTOMER	SHEET NUMBER
A3-SIZE	500334	SEE CHART	GENERAL	2 OF 3

GENERAL TOLERANCES (UNLESS SPECIFIED)	
10 ^{UNDER}	±0.2
10 ^{OVER} 30 ^{UNDER}	±0.25
30 ^{OVER}	±0.3
ANGULAR ±3°	
DRAFT WHERE APPLICABLE MUST REMAIN WITHIN DIMENSIONS	



44mm幅キャリアテープ
44mm WIDTH CARRIER TAPE

49.4	45.4	21.65	20.2	44	500334-0800	80
E	D	(C)	(B)	A	EMBOSSED TAPE PACKAGE	極数
					ORDER No.	CKT

THIS DRAWING CONTAINS INFORMATION THAT IS PROPRIETARY TO MOLEX ELECTRONIC TECHNOLOGIES, LLC AND SHOULD NOT BE USED WITHOUT WRITTEN PERMISSION

CURRENT REV DESC: REVISED

molex

0.5 MM PITCH B-TO-B CONN.
HEIGHT = 2.5 PLUG EMBOSS TAPE PACKAGE

PRODUCT CUSTOMER DRAWING

EC NO: 642297
DRWN: BJAYARAM 2020/09/09
CHK'D: HSHIMOYAMA 2020/11/30
APPR: SHOSHIKAWA 2020/11/30

INITIAL REVISION:
DRWN: TYASUI 2003/05/06
APPR: TOITO 2003/05/07

DOCUMENT NUMBER	DOC TYPE	DOC PART	REVISION
SD-500334-002	PSD	001	D

DRAWING	SERIES	MATERIAL NUMBER	CUSTOMER	SHEET NUMBER
A3-SIZE	500334	SEE CHART	GENERAL	3 OF 3

GENERAL TOLERANCES (UNLESS SPECIFIED)	
10 ^{UNDER}	±0.2
10 ^{OVER} 30 ^{UNDER}	±0.25
30 ^{OVER}	±0.3
ANGULAR ±3°	
DRAFT WHERE APPLICABLE MUST REMAIN WITHIN DIMENSIONS	