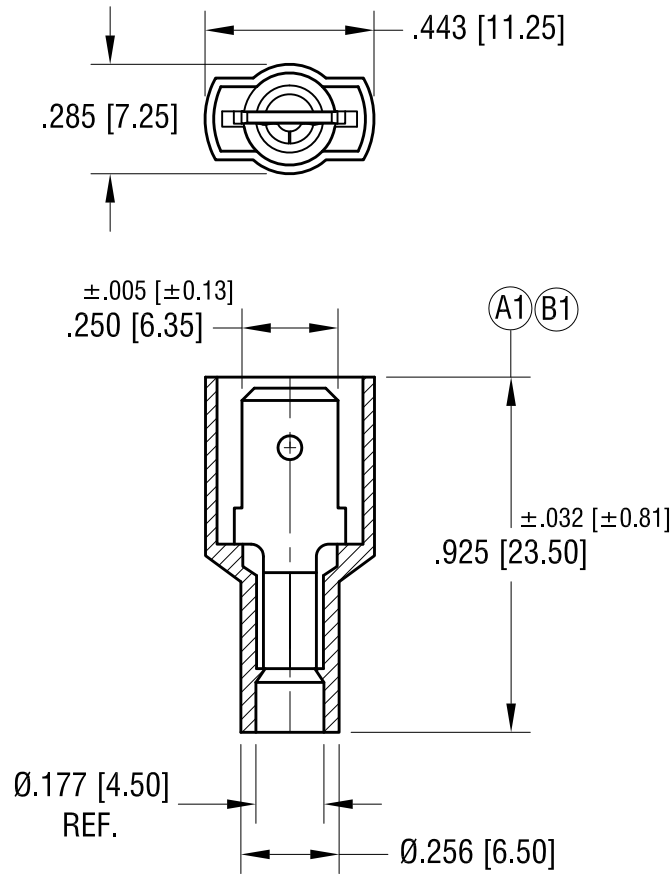
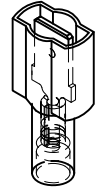


THIS DOCUMENT IS THE PROPERTY OF  
KEYSTONE ELECTRONICS CORP. AND  
SHALL NOT BE REPRODUCED, DISTRIBUTED  
OR USED AS A BASIS FOR MANUFACTURE  
WITHOUT PRIOR WRITTEN PERMISSION  
FROM KEYSTONE ELECTRONICS CORP.

**ACTUAL SIZE**



**NOTE:**

1. TERMINAL: MALE TAB  
 .250 [6.35] x .032 [0.81] TH'K COPPER, TIN PLATE  
 INSULATOR: NYLON 6/6, RED
2. ACCOMMODATES WIRE RANGE 22/18 AWG

DATE	DESCRIPTION	REV.
5.05.23	UPDATE PER NEW TOOLING (B1) WAS .960 [24.37]±.032[±0.81] CHANGE AS PER ECN 23-073	B
4.22.15	(A1) WAS 950 [24.13]±.010 [±0.25] CHANGE AS PER ECN 15-042	A

<b>KEYSTONE ELECTRONICS CORP.</b>			
www.keyelco.com • NEW HYDE PARK NY 11040 • Tel (516)328-7500			
PART NAME			
FULLY INSULATED QUICK-FIT TERMINAL, MALE			
MATERIAL			
AS NOTED			
FINISH		DRN BY	DATE
AS NOTED		BOONE	11.20.07
		APP'D	SCALE
		RH	2X
TOLERANCES	INCH [MM]	CODE	DWG NO.
DECIMAL	±.010 [±0.25]	C	<b>8297</b>
ANGULAR	± 1°		
UNLESS OTHERWISE SPECIFIED			