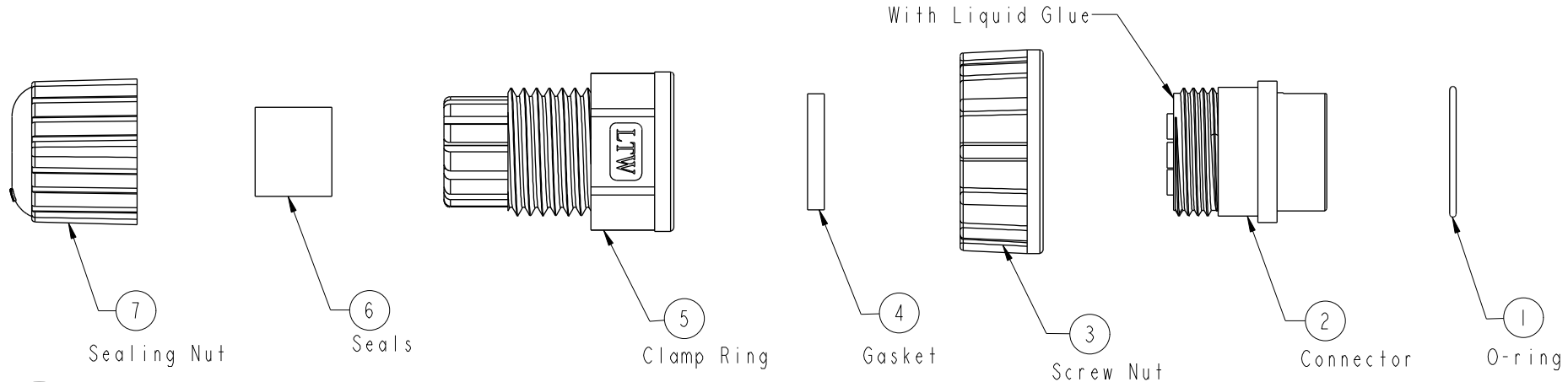


REV.	ECN NO.	DATE	SIGN	DESCRIPTION
B	LEN-730154	2007/03/27	Gao Li	Change $\varnothing 18.0$ to $\varnothing 18.5$

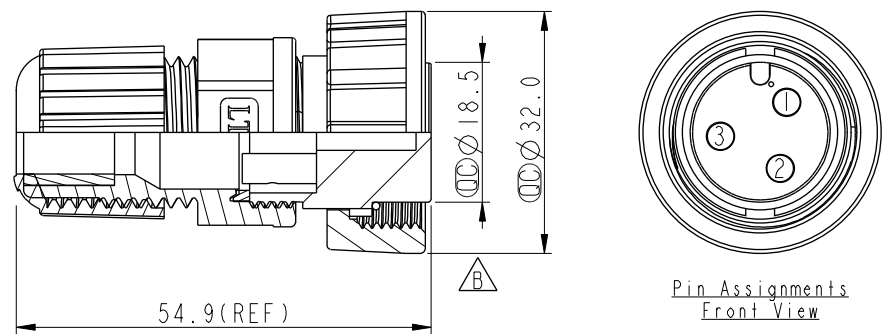
THIS DOCUMENT IS SUBJECT TO CHANGE WITHOUT NOTICE. IT IS CONFIDENTIAL AND A PROPERTY OF AMPHENOL LTW. DISCLOSURE TO THIRD PARTY HAS TO BE AUTHORIZED BY AMPHENOL LTW.



ALTW
 CONFIDENTIAL
 2012-05-04
 R&D DEPT.

ALTW
 DCC. DEPT.
 CONFIDENTIAL
 2012-06-13
ISSUED

- Notes:
- * \varnothing Important Dimension To Check.
 - * Waterproof Rate: IP67
 - * Housing: Black, Nylon+GF
 - * Pin: Copper Alloy, Gold Plated
 - * Liquid Glue: Clear
 - * Ring: Black, EPDM
 - * Nut: Black, Nylon+GF
 - * Gasket: Black, Silicone
 - * Clamp Ring: Black, Nylon
 - * Seals: Black, EPDM
 - * Sealing Nut: Black, Nylon
 - * Seal For Cable OD: $\varnothing 5.5\text{mm} \sim 10.8\text{mm}$
 - * One Set Unassembled In One PE Bag



Pin Assignments
Front View

UNIT: mm		
TOLERANCE	.X	± 0.25
	.XX	± 0.1
	.XXX	± 0.05
ANGLES		$\pm 1^\circ$

TITLE Large Assy Screw 3Pin F Conn F Pin			
SCALE	SIZE	SHEET	OF
1:1	A4	1	1
REV.	WC-REV.	\varnothing : Inspection item	
B	A.2		

Amphenol LTW
 安費諾亮泰企業股份有限公司

ITEM NO.	DC-03BFFA-SL7001	DRAWN BY	SamChang	DATE	2012-05-04
DWG NO.	DC-03BFFA-SL7001	CHECKED BY	Jeffrey	DATE	2012-06-13
CUSTOMER	ALTW	APPROVED BY	Lion	DATE	2012-06-13