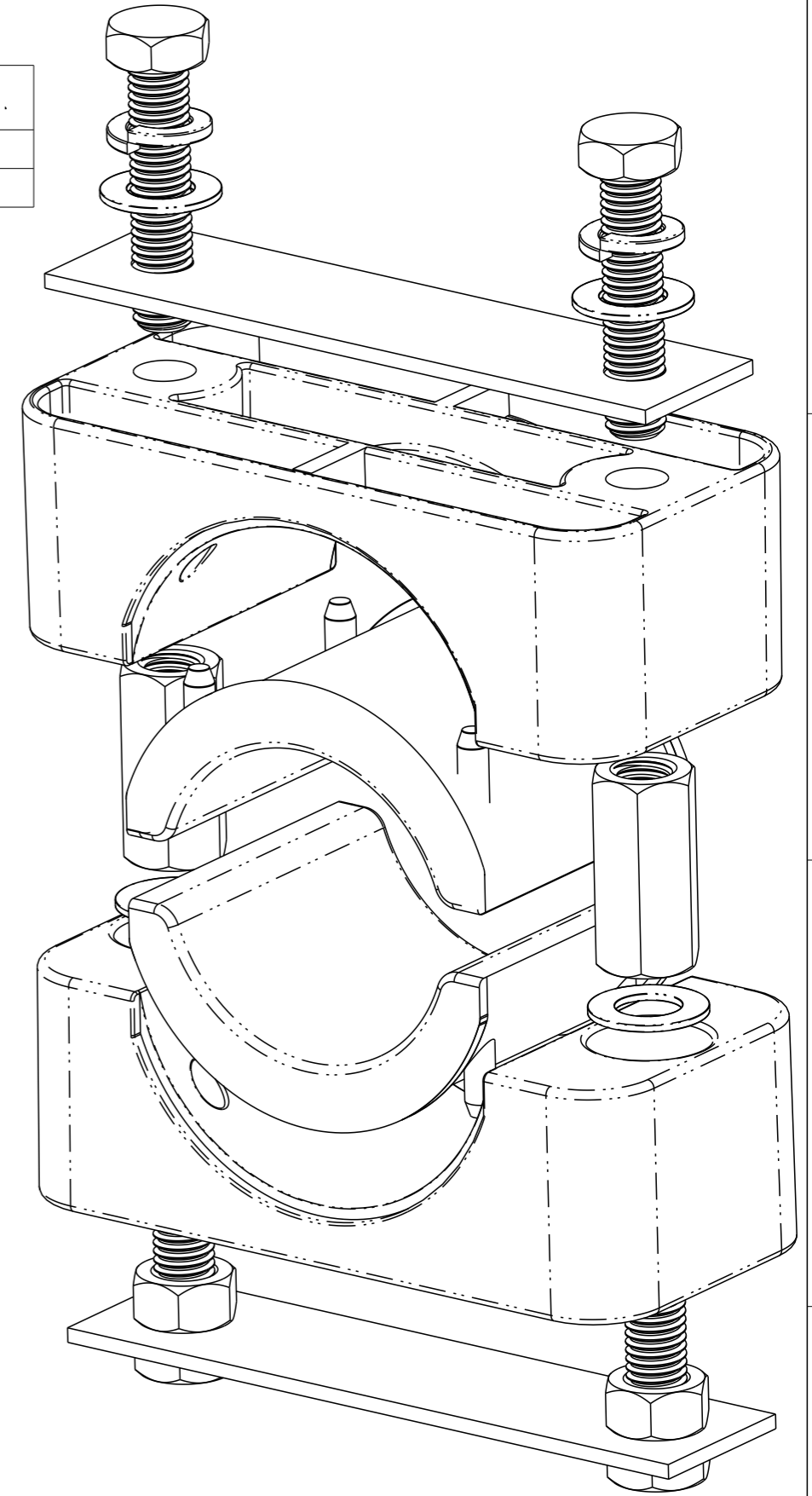
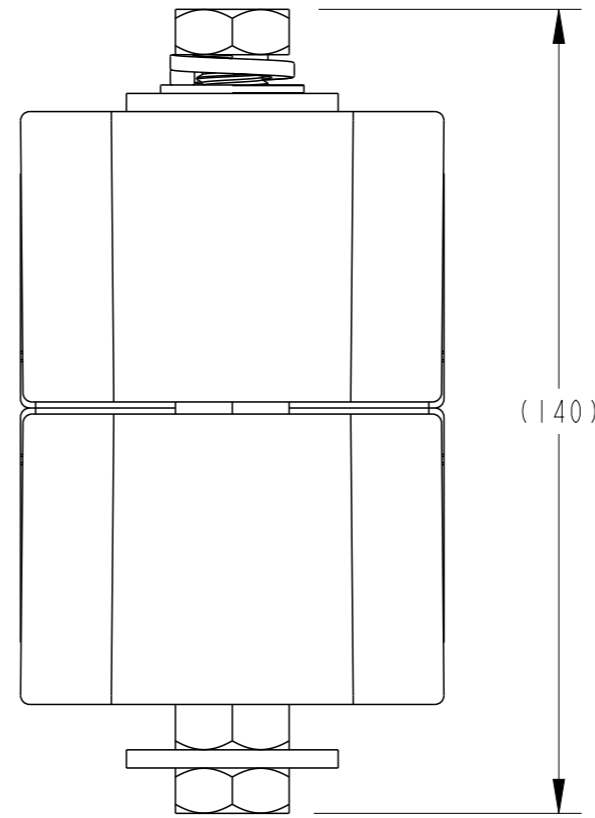
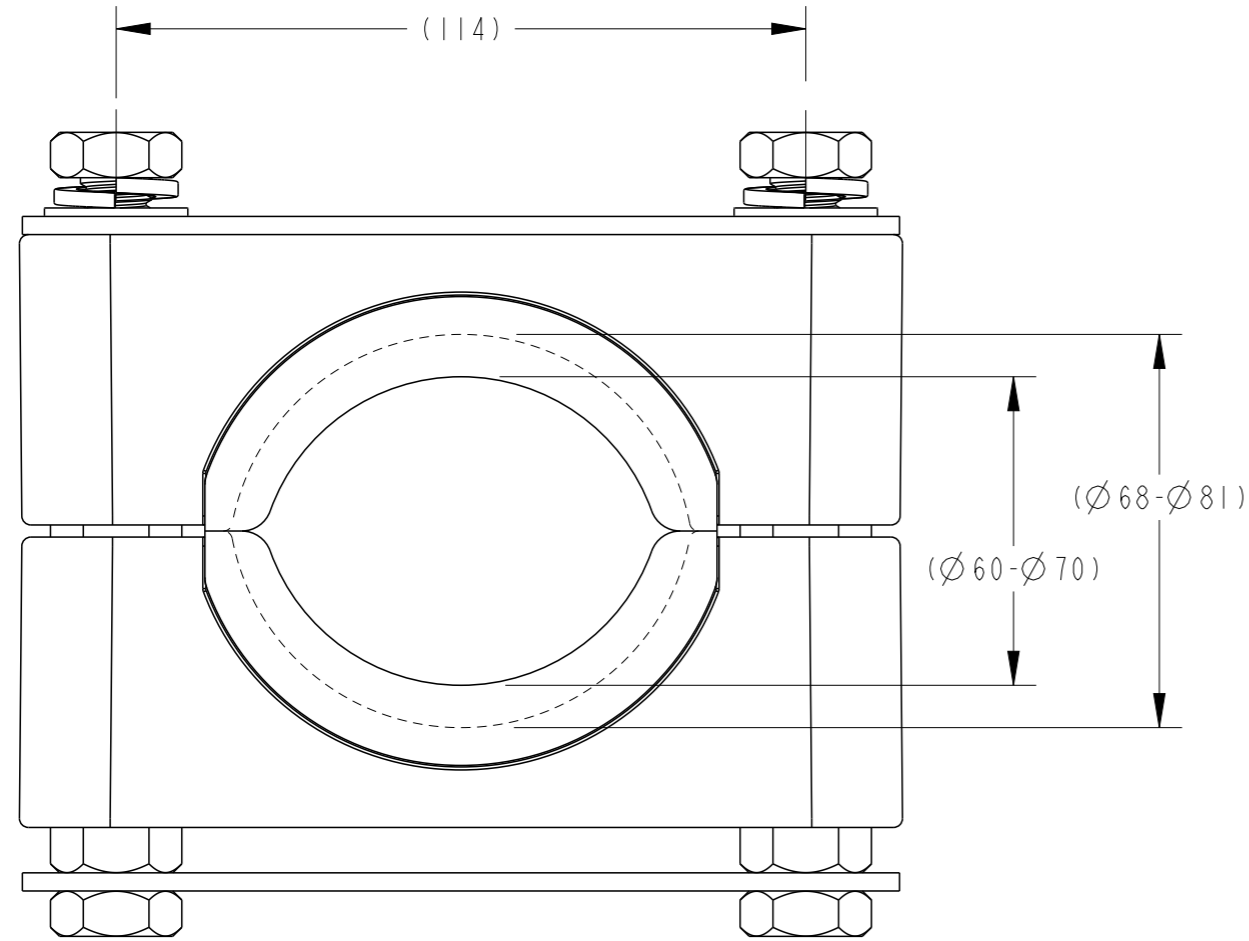


PART NO.	CATALOGUE NO.	REFERENCE NO.
EF8405-000	CC60-70-PL-M12	-
CV8201-000	CC68-81-PL-M12	TAP10909



THIS INFORMATION IS CONFIDENTIAL AND PROPRIETARY TO TE CONNECTIVITY CORPORATION AND ITS WORLDWIDE SUBSIDIARIES AND AFFILIATES. IT MAY NOT BE DISCLOSED TO ANYONE, OTHER THAN TE CONNECTIVITY PERSONNEL, WITHOUT WRITTEN AUTHORIZATION FROM TE CONNECTIVITY CORPORATION, AUSTRALIA.

LOC																					
DIST	—	I	NEW RELEASE	03-09-2014	RN	AT	IMPLIED NOTES BURRS AND SHARP EDGES REMOVED SCREW THREADS ARE TO AS 1275 DO NOT WORK TO DIMS MARKED REF SURFACE FINISH 6.3 U.N.O. DIMS ARE IN mm. DO NOT SCALE		IMPLIED TOLERANCES HOLE DIA AND LOCATIONS: ±0.5mm. DIMENSIONS UP TO 30mm: ±1.5mm. DIMENSIONS OVER 30mm: ±5% UP TO A MAX OF: ±5mm. ANGULAR DIMENSIONS: ±5°		TCPN REFER TABLE PART Alias UTX/DUL CC60-81-PL-M12 Cat No REFER TABLE		TITLE CABLE CLEAT Ø60-Ø70 AND Ø68-Ø81 SLIDER PLATE		DRAWN RN	DATE 03-09-2014	TE Connectivity 2/3 Corella Close Berkeley Vale NSW 2261 Australia				
POS	REV	REVISION RECORD		DATE	DWN	APVD	MATERIAL DESC	MATL SPEC/STD/DRG NO	PROCESS SPEC HEAT TREAT/PLATING NO	SIZE	PROJECTION	SCALE	DRAWING NO	SHEET	OF	REV					
	8										A3	3RD ANGLE	4:5	AU29478							