

6

5

4

3

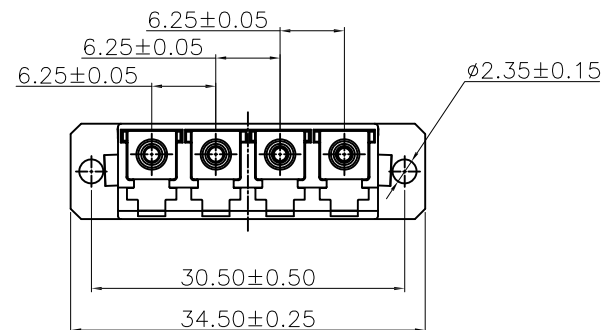
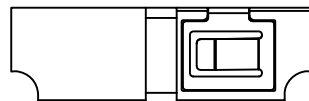
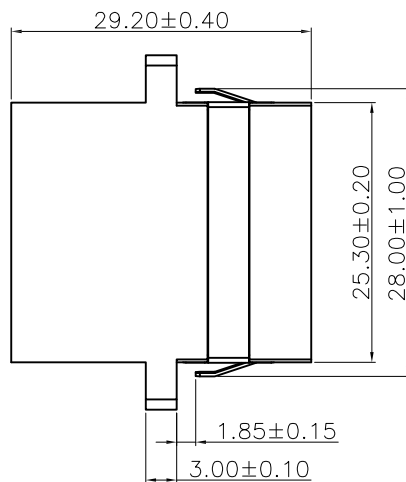
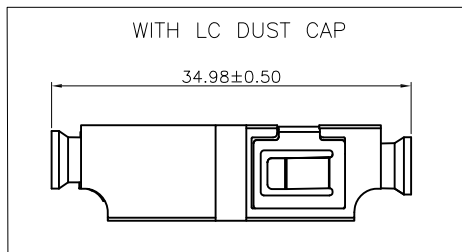
2

1

APPROVED: _____

DATE: _____ TITLE: _____

Rev	AWO #	Description	Date	Appr
-		RELEASED	9/8/20	



OPLA4ANNC1A	LC/APC, 4 PORTS, LONG EARS, W/O SHRAPNEL, LC DUST CAP	PEI 7737C Green	PP White
OPLA4ANNC1PA	LC/APC, 4 PORTS, LONG EARS, W/SHRAPNEL, LC DUST CAP	PEI 7737C Green	PP White
OPLB4ANNC1A	LC/PC, 4 PORTS, LONG EARS, W/O SHRAPNEL, LC DUST CAP	PEI 2184C Blue	PP White
OPLB4ANNC1PA	LC/PC, 4 PORTS, LONG EARS, W/SHRAPNEL, LC DUST CAP	PEI 2184C Blue	PP White
PART NUMBER	DESCRIPTION	Hong&Insert colour	Cap color

SPECIFICATIONS:

Material:
Housing: PEI, rated UL 94V-0, Color: See Chart
Cap: PP, rated UL 94V-0, Color: White
Electrical:
Standards of IEC 61754-20, YD/T 1272.1-2003
Repeatability: 500 min times
Insertion loss: 0.2dB max
Interchangeability: 0.2dB
Temperature Rating:
Operating temperature: -40°C to +85°C
Environmental:
Lead free, RoHS compliant.



UNLESS OTHERWISE SPECIFIED
ALL DIMENSIONS ARE MILLIMETERS
TOLERANCES: EXCEPT AS NOTED
MM ANGLE
X. ± 0.35 X.* ± 2°
.X ± 0.30 .X* ± 1°
.XX ± 0.25 .XX* ± 0.5°
.XXX ± 0.15 .XXX* ± 0.5°

ADAM TECH INTERCONNECTS
909 Rahway Avenue,
Union, NJ 07083
Phone: 908-687-5000
Fax: 908-687-5710

APPROVALS		DATE
DRAWN	OW	9/8/20
CHECKED	JL	9/8/20
APPROVED		

TITLE OPTICAL LC ADAPTERS, APC&PC, 4 PORTS LONG EARS, WITH LC DUST CAP		
SIZE X	PART NO. OPLX4ANNC1XA	REV. -
REF: S00005C	SCALE: NTS	SHEET 1 OF 1

6

5

4

3

2

1