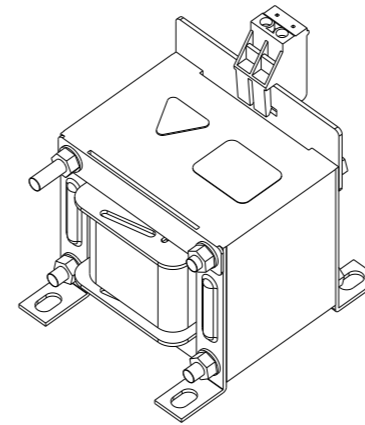
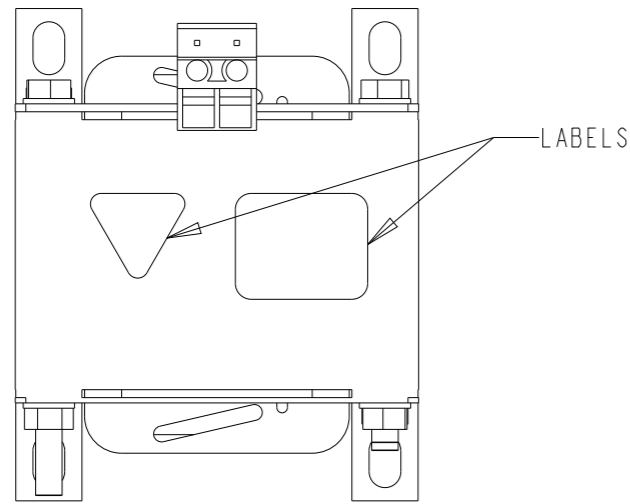
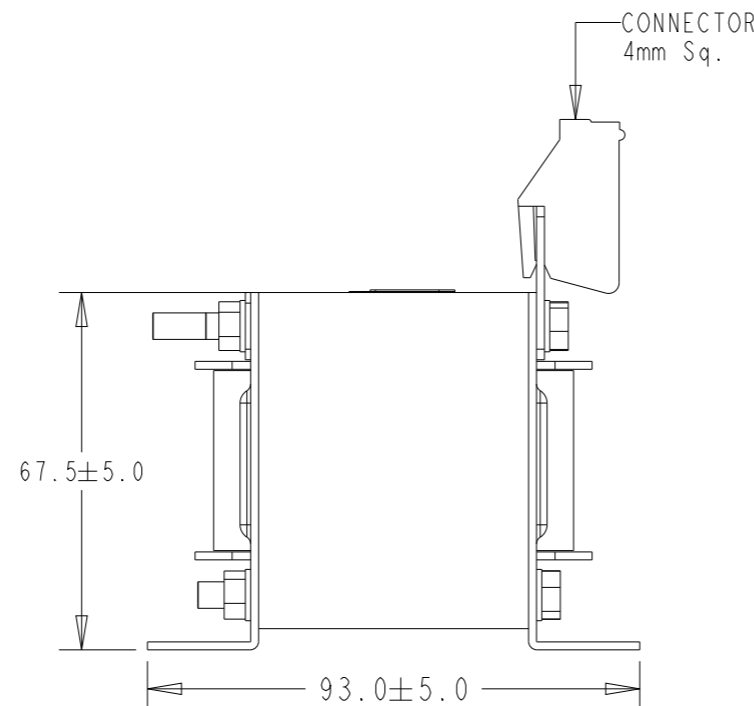
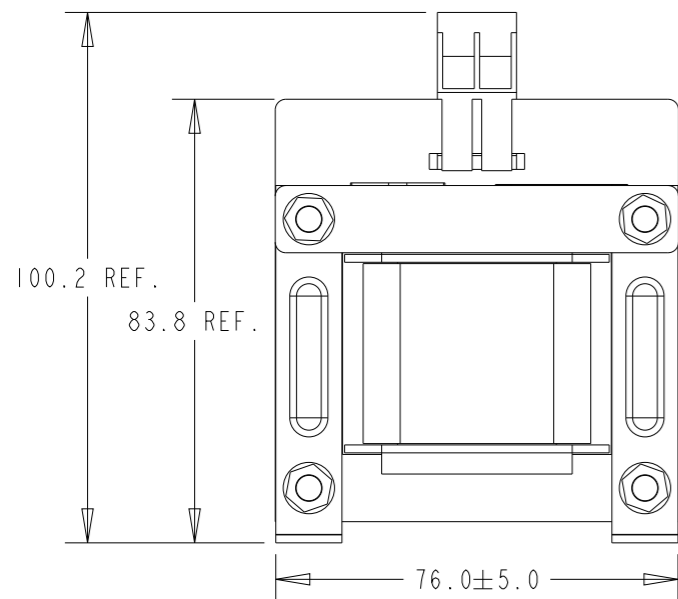


REVISIONS

P	LTR	DESCRIPTION	DATE	DWN	APVD
	A	RELEASED FOR PRODUCTION	10FEB2023	DM	CB
	AI	ADDING PRODUCT DATA	07MAR2023	DM	CB



NOMINAL OPERATING VOLTAGE (VAC)	230
RATED OPERATING VOLTAGE (VAC)	250
FREQUENCY (Hz)	50 / 60
RATED CURRENT (AMPS)	10
OP. TEMP. RANGE @ RATED CURRENT	-45°C to +45°C
RATED POWER @ 230VAC (kW)	2.07
RATED POWER @ 230VAC (HP)	2.77
IMPEDANCE @ 230VAC (%)	4
INDUCTANCE, NOMINAL (mH)	2.928
POWER OVERLOAD, 1 MINUTE EVERY HOUR	1.6
VOLTAGE WITHSTAND 1 MINUTE (kVAC)	2
POLLUTION DEGREE	PD2
COOLING	NATURAL
PROTECTION CLASS	IP00
INSULATION CLASS	N
STORAGE TEMPERATURE RANGE (°C)	-45°C to +100°C
CLIMATIC CATEGORY	45/100/21
DESIGN CORRESPONDING TO	EN61558-2-20, EN60076-6, UL61800-5-1



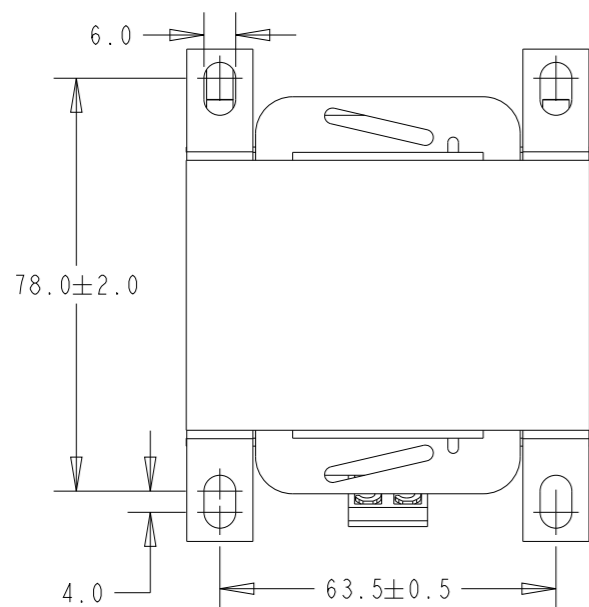
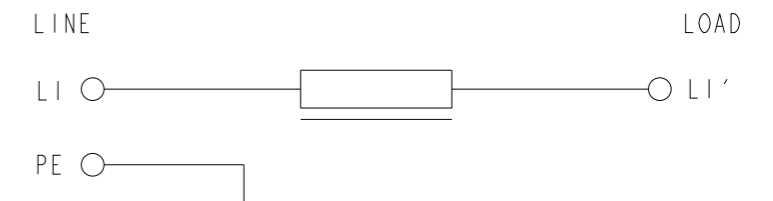
PRODUCT DESIGN NOTE

DESIGN IN ACCORDANCE WITH UL 508


DE-RATING FORMULAE FOR OPERATION ABOVE 45°C AMBIENT CONDITIONS:

$$I = I_n \sqrt{\frac{100 - T_{a\ new}}{100 - 45}}$$

TYPICAL CIRCUIT DIAGRAM



ROHS COMPLIANT

THIS DRAWING IS A CONTROLLED DOCUMENT.		DWN C. BOLLE 05OCT2022	 TE Connectivity	
DIMENSIONS: mm		CHK C. BOLLE 05OCT2022		
TOLERANCES UNLESS OTHERWISE SPECIFIED:		APVD L. RAJ 05OCT2022	NAME RPQ-1-10 SINGLE LINE REACTOR	
0 PLC ±-		PRODUCT SPEC	-	
1 PLC ±0.1		APPLICATION SPEC	-	
2 PLC ±0.01		WEIGHT	-	
3 PLC ±0.001		CUSTOMER DRAWING	-	
4 PLC ±0.0001		SCALE	1:1	
ANGLES ±-		FINISH	-	
MATERIAL		SIZE	CAGE CODE	DRAWING NO
-		A3	00779	©-2432408-5
-		RESTRICTED TO		-
		SHEET	OF	REV
		1	1	AI