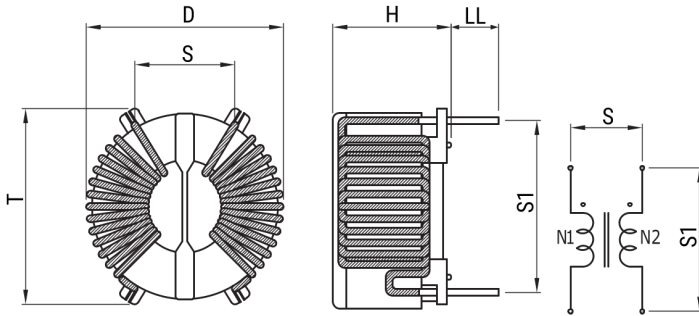


## SC-05-E100JKH

Aliases (UALSC05E100JKH)

KEMET, SC\_JKH, AC Line Filters, Common Mode, 10 mH



Click [here](#) for the 3D model.

### Dimensions

D	34mm MAX
T	34mm MAX
H	25mm MAX
LL	3.5mm +/-1mm
S	11mm NOM
S1	28mm NOM
Wire Size	1mm

### Packaging Specifications

Packaging	Tray
Packaging Quantity	150
Component Weight	47.5 g

### General Information

Series	SC_JKH
Style	Through-Hole
RoHS	Yes
Notes	Lead Spacing (S/S1) Are For Reference Only.
Miscellaneous	Temperature Rise Maximum: 50 K.
Core	Mn-Zn Ferrite

### Specifications

Voltage AC	250 VAC
Inductance	10 mH
Current	5 A
Temperature Range	-25/+120°C
DC Resistance	65 mOhms