

NOTES:

1. MATERIALS AND FINISHES:  
 BODY & CONTACT - BeCu, GOLD PLATING  
 INSULATOR - PTFE, NATURAL  
 RETAINER RING - BeCu, NICKEL PLATING

2. ELECTRICAL:  
 A. IMPEDANCE: 50 OHM  
 B. FREQUENCY RANGE: DC - 26.5 GHz  
 C. VSWR (RETURN LOSS): 1.20 MAX. (-20.80 dB MIN) @ DC - 10 GHz  
 1.40 MAX. (-15.60 dB MIN) @ 10 - 18 GHz  
 1.50 MAX. (-14.00 dB MIN) @ 18 - 26.5 GHz  
 D. DIELECTRIC WITHSTANDING VOLTAGE: 500 VRMS, MIN.

3. MECHANICAL:  
 A. DURABILITY: 100 CYCLES MIN. WHEN MATED FULL DETENT JACK  
 500 CYCLES MIN. WHEN MATED LIMITED DETENT JACK  
 1000 CYCLES MIN. WHEN MATED A SMOOTH BORE JACK  
 B. TEMPERATURE RANGE: -65°C TO +165°C

4. PACKAGING:  
 A. QUANTITY: SINGLE PACK  
 B. MARKING: BAG TO BE MARKED  
 "AMPHENOL RF, SMP-FS-C06-1-R AND DATE CODE".

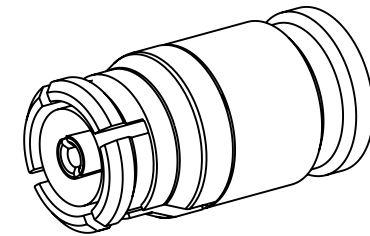
5. CABLE ASSEMBLY INSTRUCTIONS:  
 A. SEE AMPHENOL SPEC 349-50686.

6 SHOWS CABLE ENTRY DIMENSIONS.

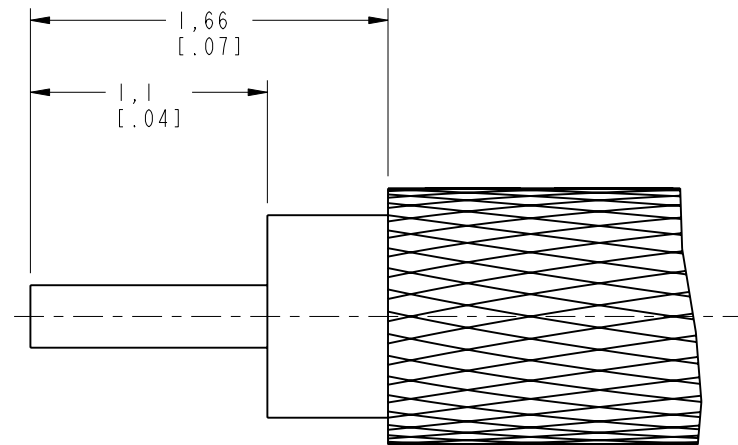
THIRD ANGLE PROJ.

REVISIONS

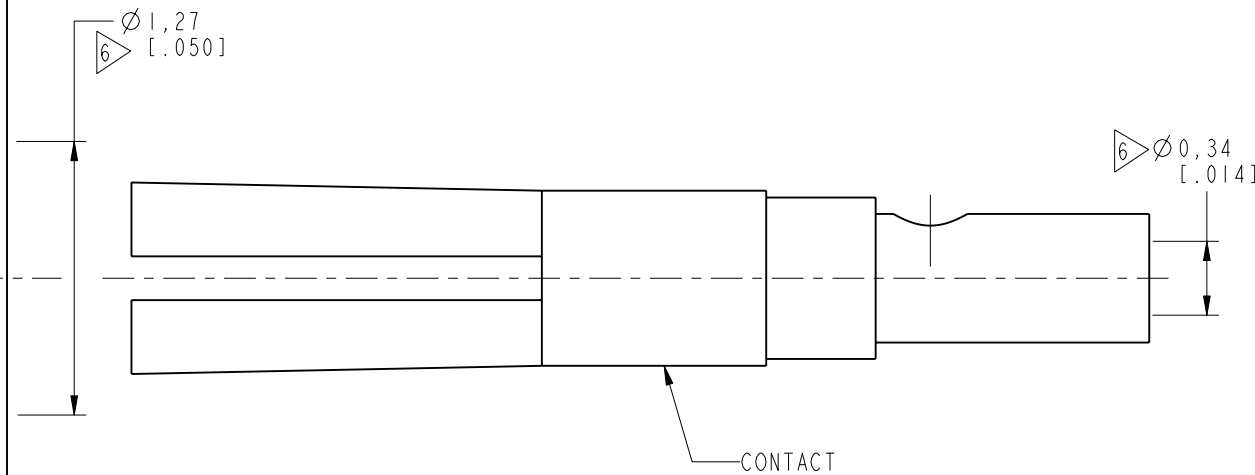
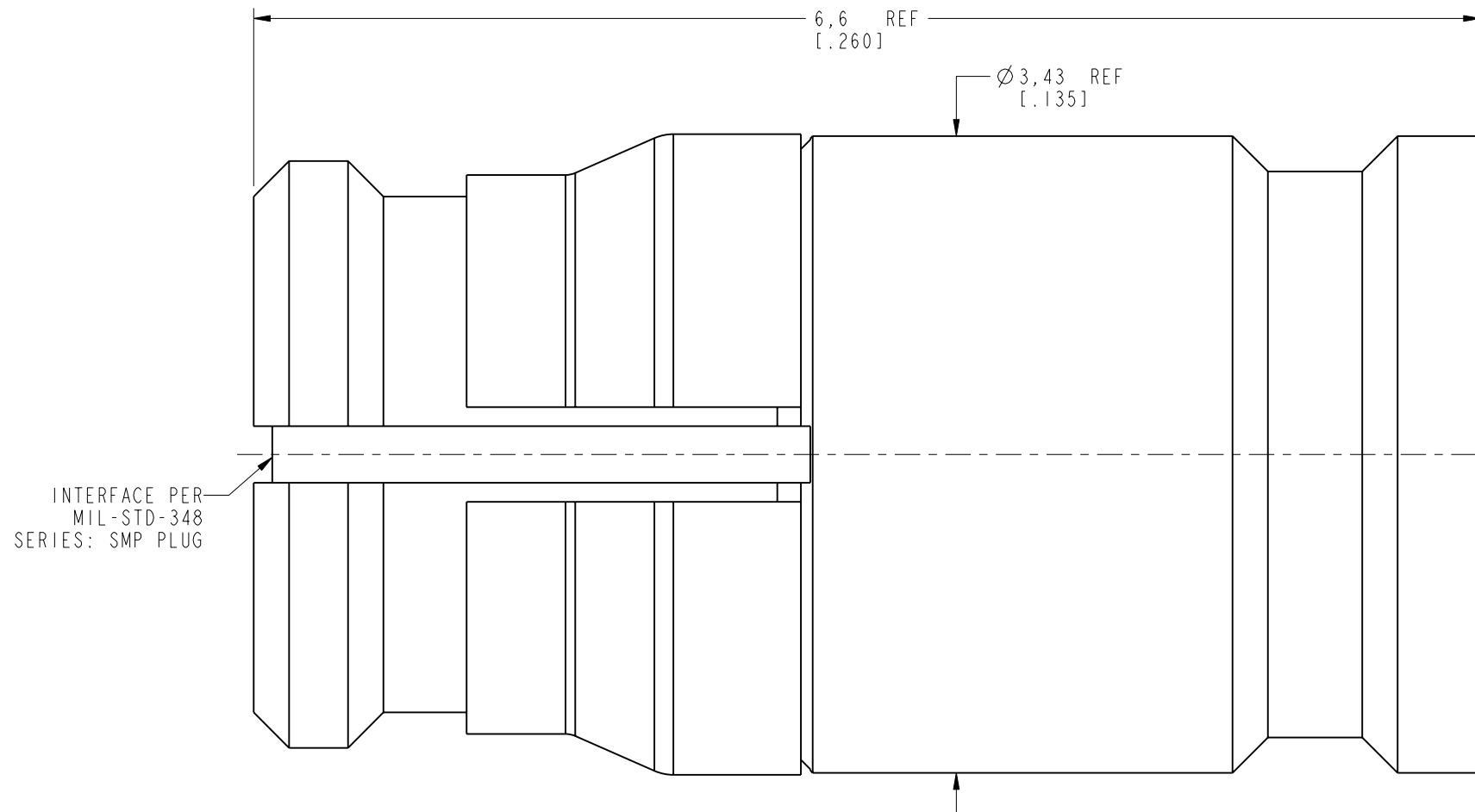
REV	DESCRIPTION	DATE	ECN	APPR
A	RELEASE TO MFG.	31-Jan-19	10388	EH
B	UPDATED NOTE 3	07-May-19	11421	SH



SCALE 6.500



RECOMMENDED  
CABLE STRIPPING DIM'S



**CUSTOMER OUTLINE DRAWING**

ALL OTHER SHEETS ARE FOR INTERNAL USE ONLY

UNLESS OTHERWISE SPECIFIED, DIMENSIONS ARE IN METRIC AND TOLERANCES ARE: <0.5mm ±0.05mm    0.5 - 6mm ±0.1mm    6 - 30mm ±0.2mm    30 - 120mm ±0.3mm    ANGLES ±1°	MATERIAL	DRAWN	DATE	TITLE SMP STR PLUG WITH ANTI-ROCK RING FOR .047" SEMI RIGID CABLE		Amphenol RF www.amphenolrf.com	
	SEE NOTES	M. ZHANG	07-May-19				
NOTICE - These drawings, specifications, or other data (1) are, and remain the property of Amphenol corp. (2) must be returned upon request; and (3) are confidential and not to be disclosed to any person other than those to whom they are given by Amphenol Corp. the furnishing of these drawings, specifications, or other data by Amphenol Corp., or to any other person to anyone for any purpose is not to be regarded by implication or otherwise in any manner licensing, granting rights to permitting such holder or any other person to manufacture, use or sell any product, process or design, patented or otherwise, that may in any way be related to or disclosed by said drawings, specifications, or other data.	REFERENCE	ENGINEER	DATE	SCALE: 28.5:1.0   SHEET 2 OF 2		DRAWING NO. SMP-FS-C06-1-R ITEM NO. SMP-FS-C06-1-R PART NO. SMP-FS-C06-1-R	
	EAR# 8530	KARTHIK R	13-Dec-18				
	REF: SMP-FS-C06	APPROVED	DATE		DWG SIZE	REV	
CONFIGURATION LEVEL: In Work	S. HSIEH	07-May-19		B	B		
FINISH	CAD FILE						