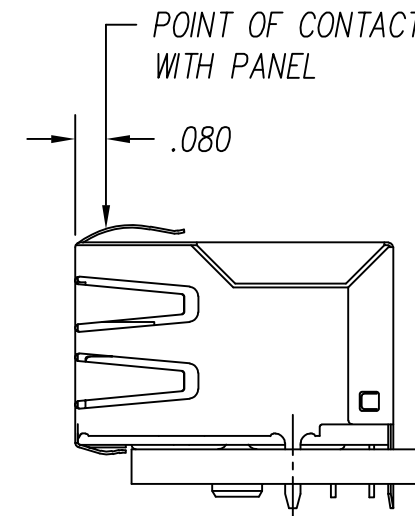
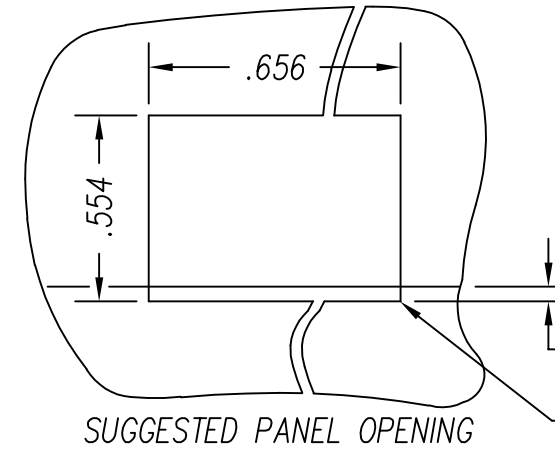
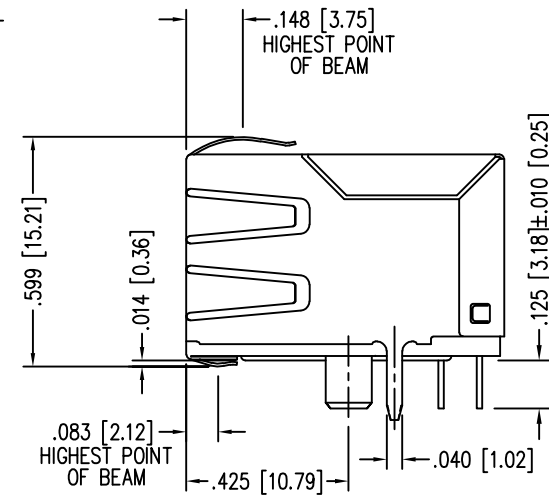
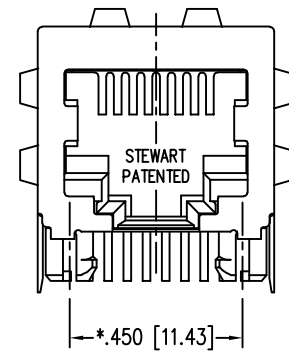
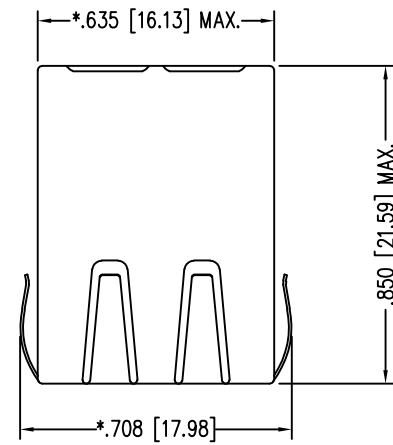


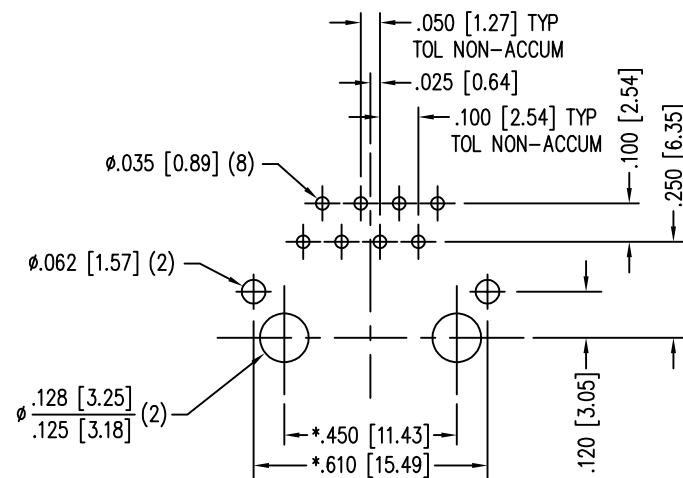
| DATE    | REV | ECN   | APP'D. BY |
|---------|-----|-------|-----------|
| 3-28-16 | A5  | 10641 | TRM       |
| 3-28-17 | A6  | 10959 | TRM       |
|         |     |       |           |
|         |     |       |           |



NOTES:

- CONNECTOR MATERIALS:  
HOUSING: THERMOPLASTIC UL94 V-0  
CONTACTS/SHIELD: COPPER ALLOY  
SHIELD PLATING: NICKEL WITH TIN PLATED SOLDER TAILS.  
CONTACT PLATING: SELECTIVE GOLD IN CONTACT AREA  
SEE CHART FOR PART NUMBER
- FOR PRODUCT SPECIFICATIONS SEE PR022-01.
- DIMENSIONS AND TOLERANCES COMPLY WITH TIA-1096 STANDARD.
- THE SUGGESTED PANEL OPENING IS INTENDED TO GIVE USER THE ABILITY TO HAVE REASONABLE JACK/PANEL CLEARANCES, YET MAINTAIN GROUNDING CAPABILITY. THESE VARIABLES CAN BE ADJUSTED IN EITHER DIRECTION BUT MAY CARRY SOME CONSEQUENCES IN THE FORM OF LOWER MATING FORCES OR TIGHTER ASSEMBLY TOLERANCES.

|                                   |                      |
|-----------------------------------|----------------------|
| 30 MICRO-INCHES [0.76um]          | SS-7288SFR1-A-PG4-BA |
| CONTACT PLATING<br>IN MATING AREA | PART NUMBER          |



P.C.B. RECOMMENDED HOLE LAYOUT  
SEEN FROM COMPONENT SIDE  
TOLERANCE ±.003 [0.08] UNLESS OTHERWISE SPECIFIED

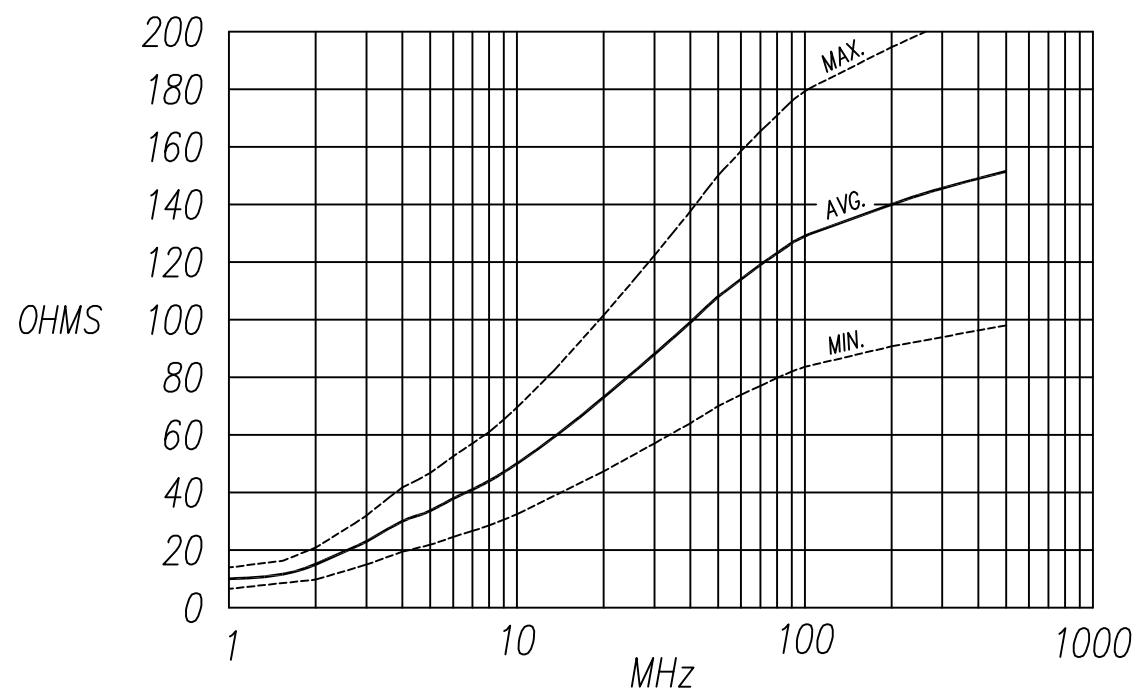
|  |  |
|--|--|
| THIRD ANGLE PROJECTION   |  |
| DO NOT SCALE DRAWING<br>DRAWING IS SUBJECT TO<br>CHANGE WITHOUT NOTICE       |  |
| DIMENSIONS: INCHES [METRIC]  |  |
| UNLESS OTHERWISE SPECIFIED<br>TOLERANCES ARE ±.005 [0.13]<br>ANGLES ARE ± 1° |  |
| SHEET NO. 1 OF 2   |  |



|   |   |
|---|---|
|   | 1118 Susquehanna Trail South<br>Glen Rock, PA 17327-9199<br>(717) 235-7512<br><a href="http://www.stewartconnector.com">http://www.stewartconnector.com</a> |
| TITLE: EIGHT CONTACT, EIGHT POSITION, FILTER JACK<br>EMI-RFI ONE PIECE SHIELDED, ESD GROUNDED |   |
| DRN BY: KRL   | DATE 2/2/06   |
| APPD BY: JM   | DATE 2-3-06   |
| DWG NO. CT720025  | REV. A6   |

"-PG4" DESIGNATES ENHANCED SHIELD WITH ALL SIDE PANEL GROUNDS  
 "-BA" DESIGNATES INCLUSION OF ALL TOP AND BOTTOM PANEL GROUNDS

| FERRITE MATERIAL CHARACTERISTICS |                         |                                     |                            |
|----------------------------------|-------------------------|-------------------------------------|----------------------------|
| FERRITE MATERIAL DESIGNATION     | NOISE SUPPRESSION RANGE | INITIAL PERMEABILITY @ B < 10 gauss | VOLUME RESISTIVITY OHM-CM. |
| FR1                              | 30 MHz TO 200 MHz       | 500 TO 1500                         | $\geq 10^8$                |



IMPEDANCE CURVE for 7288FR1 INSERT  
 — AVERAGE IMPEDANCE CURVE  
 - - - - - MAX. & MIN. IMPEDANCE CURVES

NOTE:  
 MAXIMUM AND MINIMUM IMPEDANCE VALUES ARE DEPENDENT ON:  
 1) HOLE POSITION WITHIN THE INSERT'S GEOMETRY, AND



|  |  |  |
|--|--|--|
| THIRD ANGLE PROJECTION<br>   | <br>a bel group  | 11118 Susquehanna Trail South<br>Glen Rock, PA 17327-9199<br>(717) 235-7512<br><a href="http://www.stewartconnector.com">http://www.stewartconnector.com</a> |
| DO NOT SCALE DRAWING<br>DRAWING IS SUBJECT TO CHANGE WITHOUT NOTICE  | TITLE: EIGHT CONTACT, EIGHT POSITION, FILTER JACK<br>EMI-RFI ONE PIECE SHIELDED, ESD GROUNDED  |  |
| DIMENSIONS: INCHES [METRIC]<br>UNLESS OTHERWISE SPECIFIED<br>TOLERANCES ARE $\pm 0.005$ [0.13]<br>ANGLES ARE $\pm 1^\circ$ | THIS DRAWING AND THE SUBJECT MATTER SHOWN THEREON ARE CONFIDENTIAL AND THE PROPRIETARY PROPERTY OF STEWART CONNECTOR AND SHALL NOT BE REPRODUCED, COPIED, OR USED IN ANY MANNER WITHOUT PRIOR WRITTEN CONSENT OF STEWART CONNECTOR. ONE OR MORE U.S. PATENTS MAY APPLY TO THIS PRODUCT. FOR DETAILS, PLEASE VISIT: <a href="http://BELFUSE.COM/STEWART/STEWART_PATENTS/">HTTP://BELFUSE.COM/STEWART/STEWART_PATENTS/</a> | DRN BY: KRL DATE 2/2/06<br>APPD BY: JM DATE 2-3-06<br>DWG NO. CT720025 REV. A6   |
| SHEET NO. 2 OF 2   |  |  |