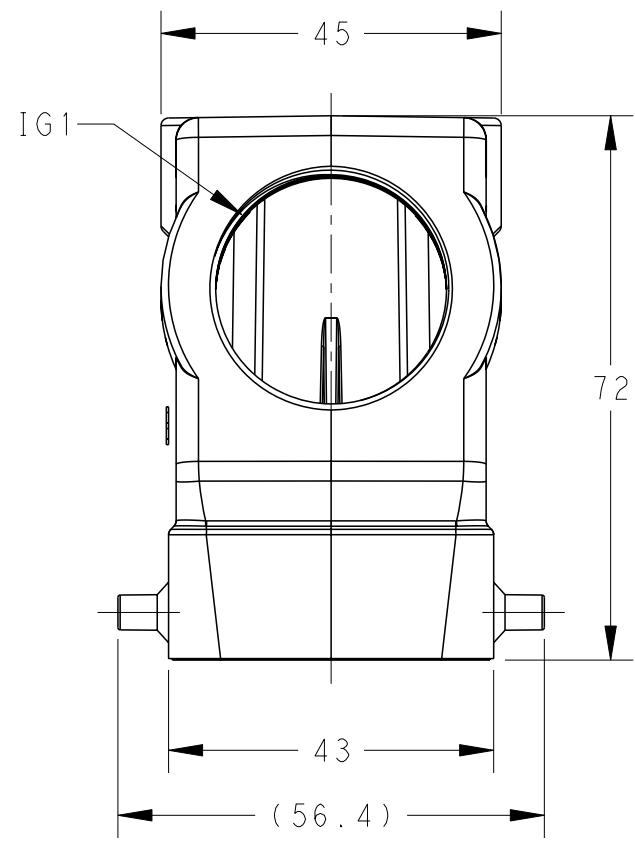
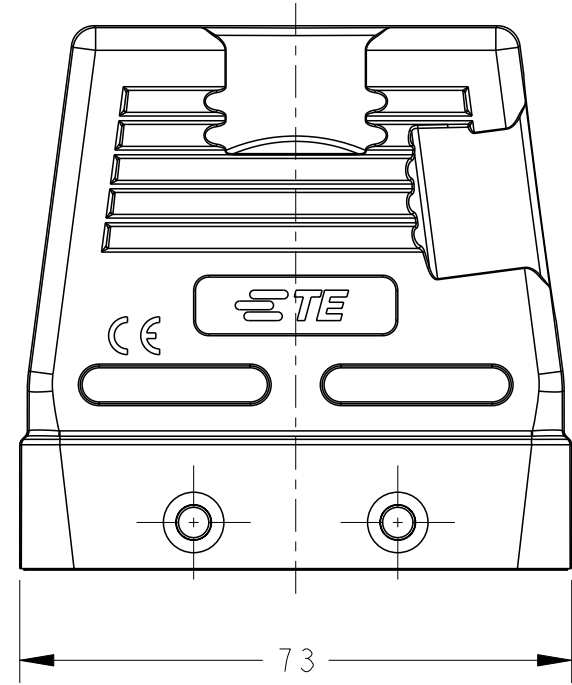


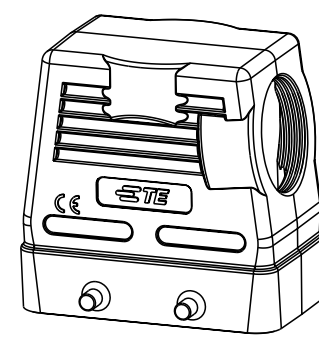
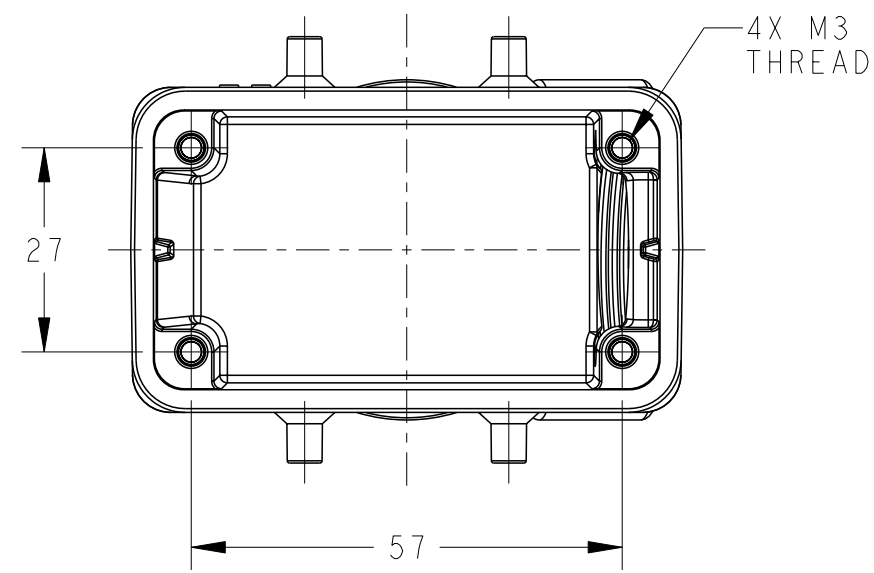
THIS DRAWING IS UNPUBLISHED. RELEASED FOR PUBLICATION 20  
 © COPYRIGHT 20 BY - ALL RIGHTS RESERVED.

REVISIONS					
P	LTR	DESCRIPTION	DATE	DWN	APVD
	A	INITIAL	11JUN2015	DW	CW
	B	ECR-20-008181	28JUN2020	WQR	CW
	B1	ECR-21-103925	01JUN2021	WQR	CW




NOTES:  
 1. TECHNICAL CHARACTERISTICS:  
 HOOD MATERIAL: DIE CAST ALUMINIUM ALLOY  
 SURFACE: POWDER COATED, INSIDE AND OUTSIDE  
 GREY COATING  
 DEGREE OF PROTECTION: IP65 (MATED)

注释:  
 1. 技术参数:  
 上壳材料: 铝合金  
 表面处理: 粉末涂层, 里外喷漆, 灰色  
 防护等级: IP65(配合)



SCALE 1:2

T1230100132-100	H10B-TSH-M32 INSIDE AND OUTSIDE COATING	M32
PART NUMBER	DESCRIPTION	IG1

THIS DRAWING IS A CONTROLLED DOCUMENT.		DWN 11JUN2015 David Wang	 TE Connectivity NAME H10B-TSH-M32 INSIDE AND OUTSIDE COATING		
DIMENSIONS: mm		CHK 11JUN2015 Chris Wang			PRODUCT SPEC 108-137013
TOLERANCES UNLESS OTHERWISE SPECIFIED:		APVD 11JUN2015 Xiang Xu			APPLICATION SPEC 114-137013
0 PLC ±- 1 PLC ±- 2 PLC ±- 3 PLC ±- 4 PLC ±- ANGLES ±-		WEIGHT -			RESTRICTED TO -
MATERIAL -		FINISH -	Customer Drawing	SIZE A3 CAGE CODE 00779 DRAWING NO. T1230100132100 SCALE 1:1 SHEET 1 OF 1 REV B1	

printed on 17 Jun 2021 10:16 (China Standard Time) from TE343646