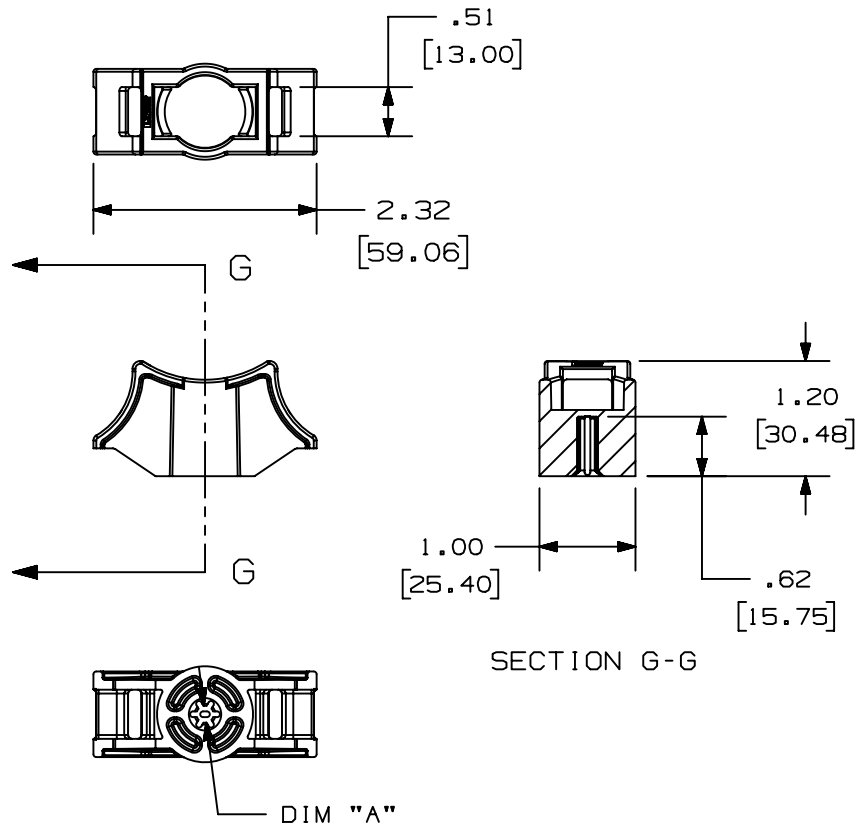
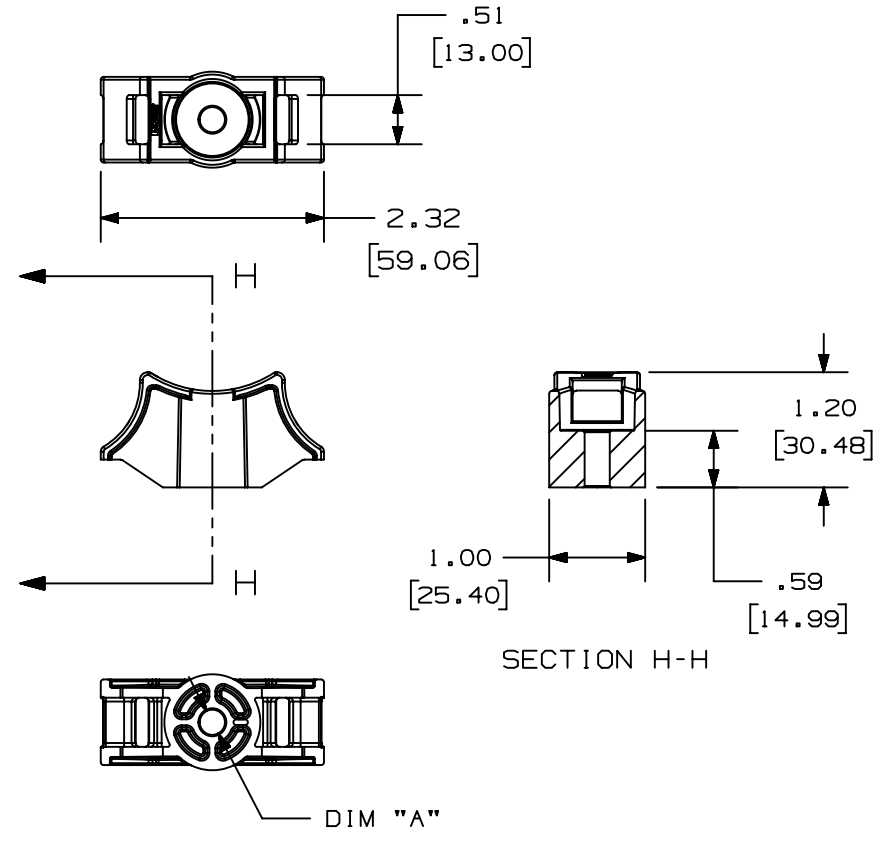


THIS COPY IS PROVIDED ON A RESTRICTED BASIS AND IS NOT TO BE USED IN ANY WAY DETRIMENTAL TO THE INTERESTS OF PANDUIT CORP.

SPIN-ON TYPE
(PART NUMBERS TMSTEH5 THRU TMSTEH8)



BOLT-ON TYPE
(PART NUMBERS TMSTEH6B & TMSTEH8B)



B

B

A

A

| 00 | 06.07.19 | BDK | DAEI | TGS | SEE SHEET 1 OF 2 FOR REVISION HISTORY | | | 044032 | |
|-----|----------|-----|------|-----|---------------------------------------|--|--|--------|--|
| REV | DATE | BY | CHK | APR | DESCRIPTION | | | ECN | |

| | | | |
|--|--|------------------------|--|
| TITLE | | | |
| TMSTEH5 HEAVY DUTY TIE MOUNT FOR THREADED STUD | | | |
| CUSTOMER DRAWING | | | |
| ITEM REVISION NAME | | 00150EAA/00 | |
| DATASET FILE NAME | | 00150EAA_DC/00 | |
| UNLESS OTHERWISE SPECIFIED, DIMENSIONAL TOLERANCES ARE: IN [mm] | | PANDUIT | |
| .X ± .XX ± .02 [.51] | | | |
| .XXX ± ANGLES ± 1 ° | | | |
| | | THIRD ANGLE PROJECTION | |
| DRAWN BY | | MATERIAL: | |
| BDK | | NYLON 6/6 | |
| DATE | | DRAWING NUMBER: | |
| 04.16.19 | | 00150EAA_DC | |
| CHK | | SHT 2 OF 2 | |
| DAEI | | A | |
| SCALE | | | |
| N.T.S. | | | |

D10100DA/20