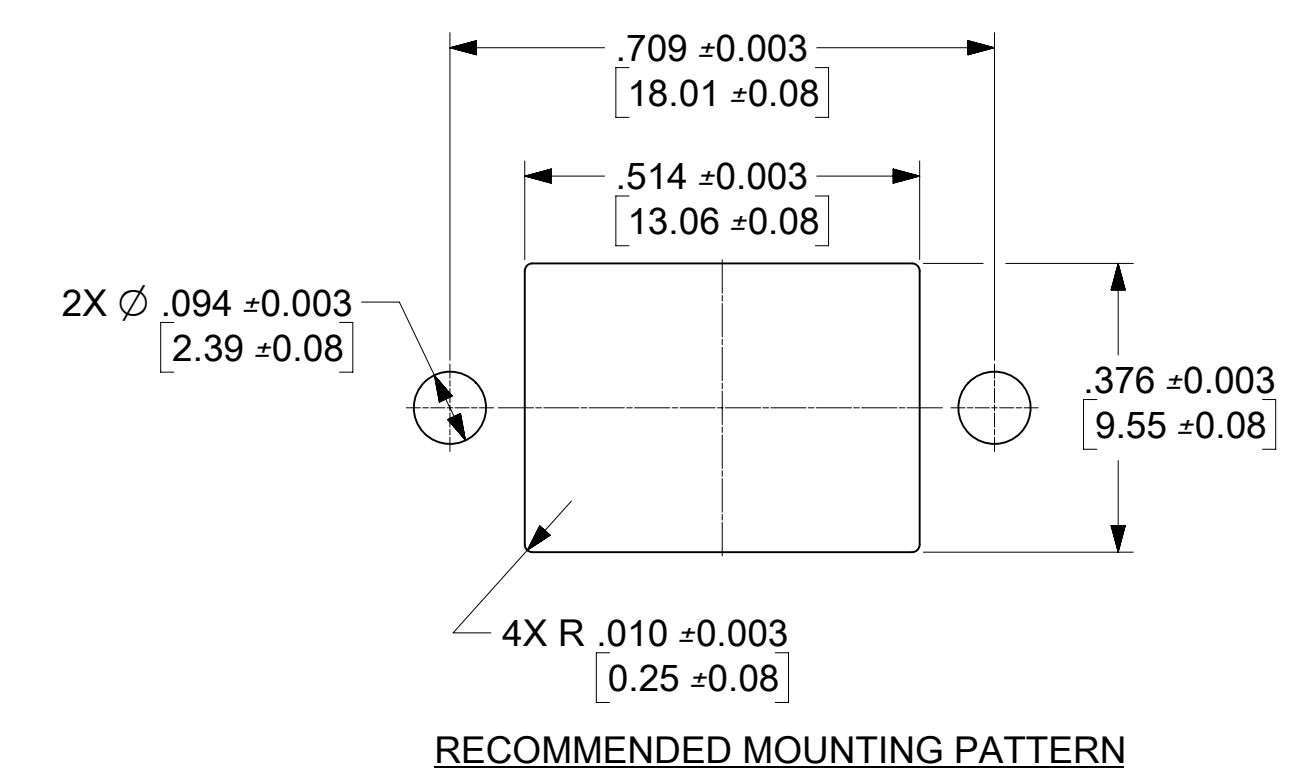
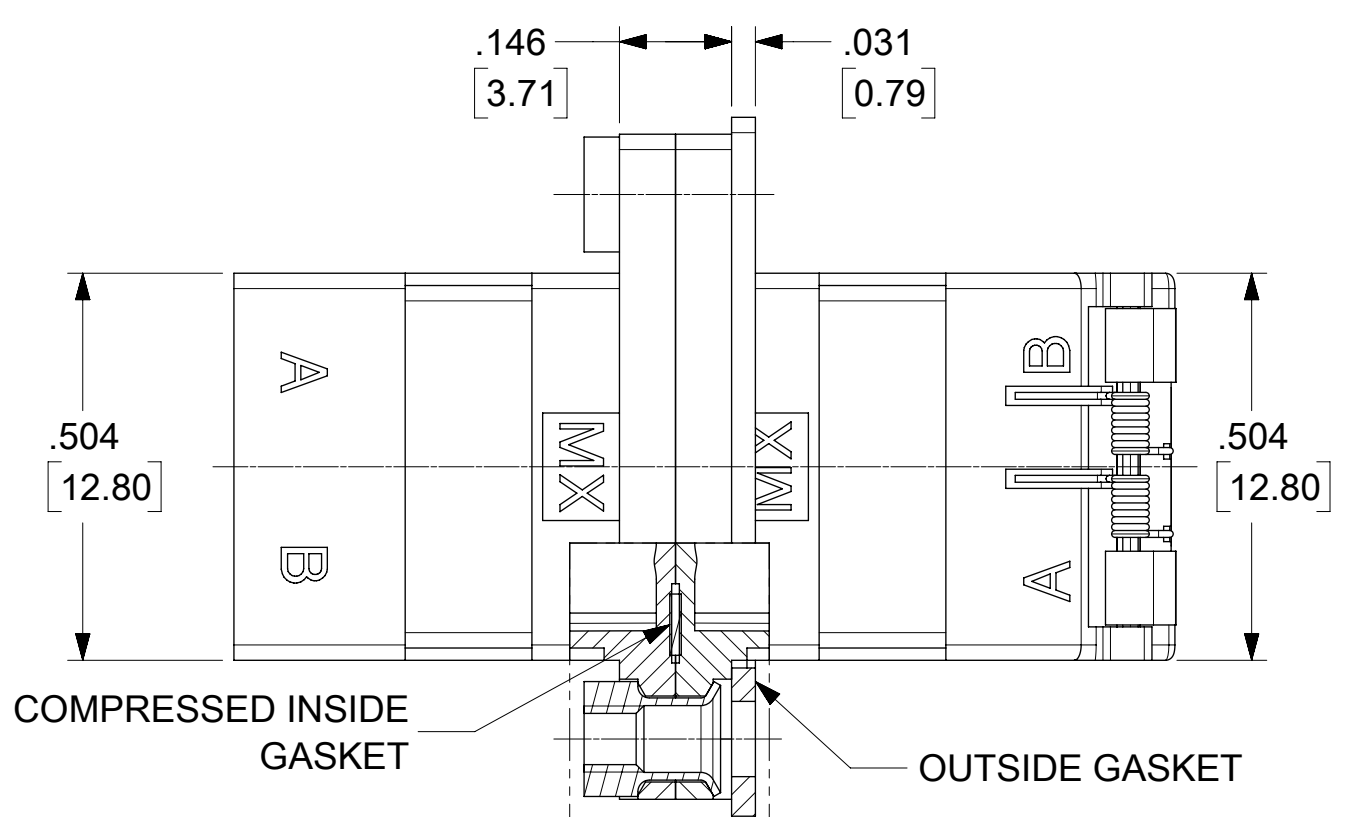
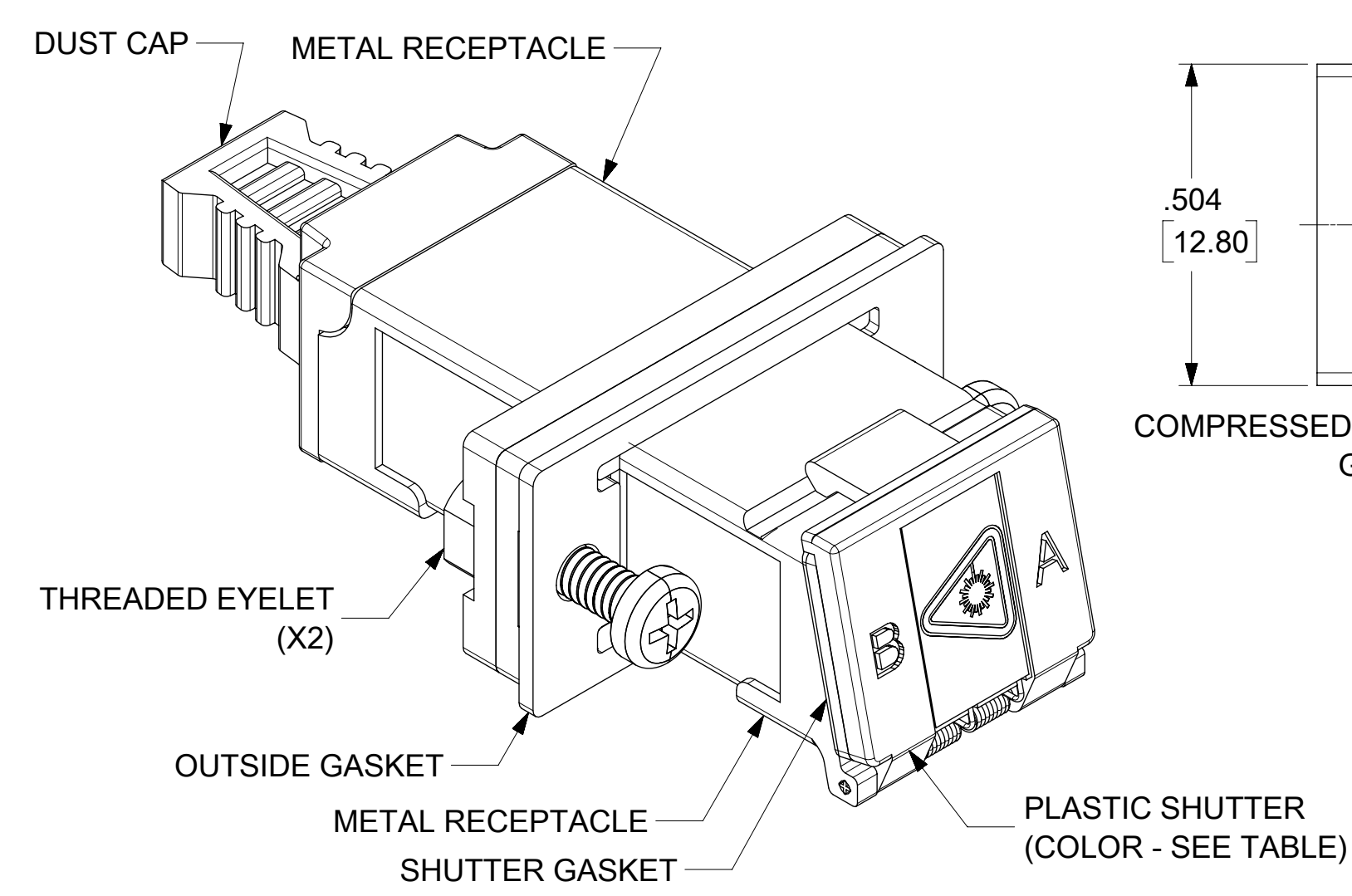
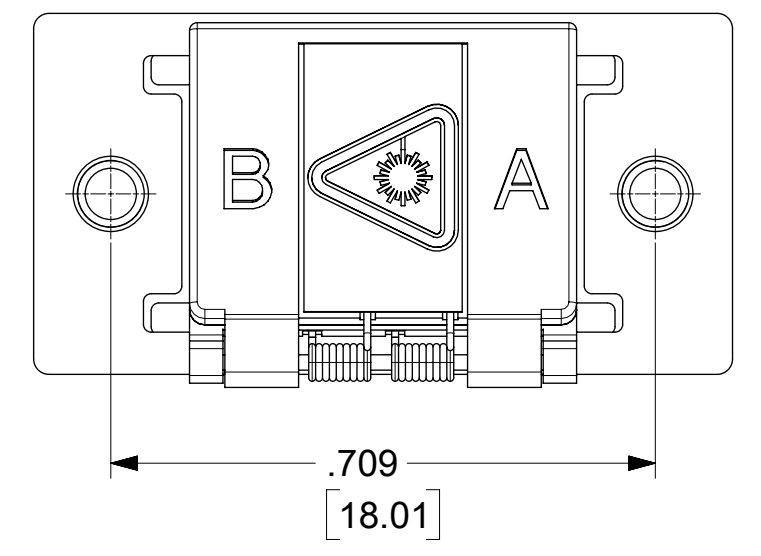
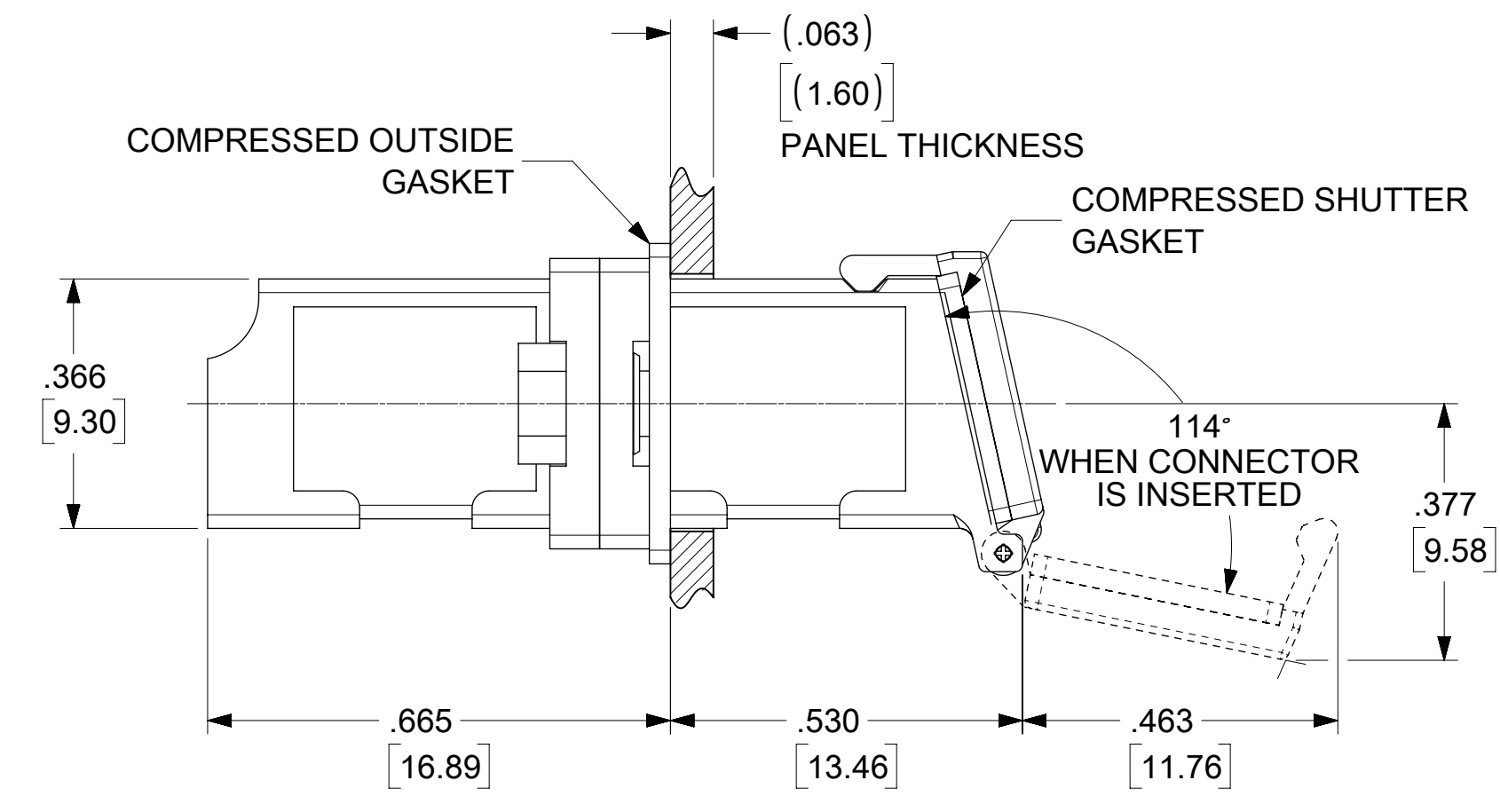
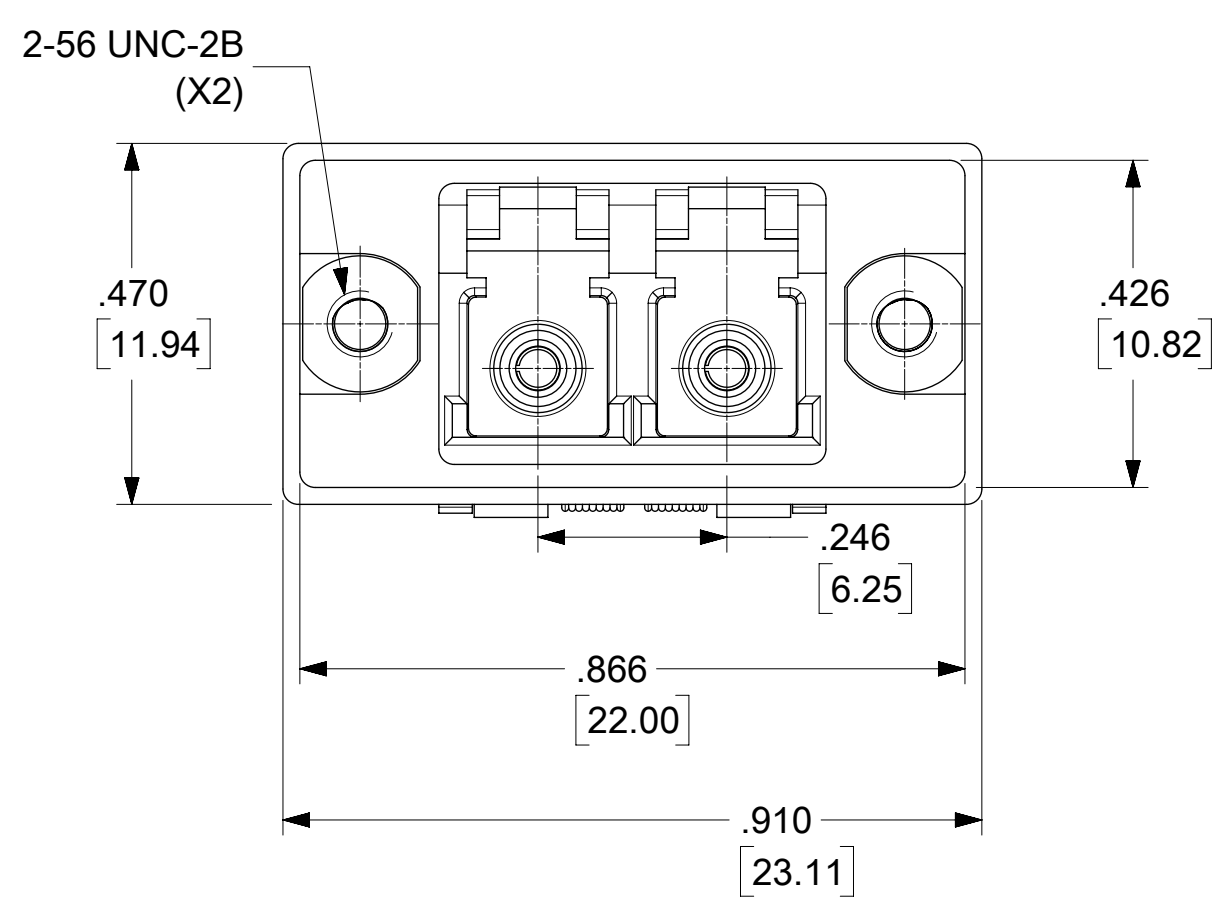


LCD ADAPTER P/N	LC SLEEVE MATERIAL	PLASTIC SHUTTER COLOR
1061270300	Zr	BLUE
1061270320	Ph. Bronze	BEIGE



- NOTES:
1. ALL DIMENSIONS ARE FOR REFERENCE.
  2. DUST CAP IS SHOWN IN ISO VIEW ONLY.
  3. LC DUPLEX ADAPTER HAS SC ADAPTER FOOTPRINT.
  4. ADAPTER IS PACKAGED IN A PLASTIC TRAY.

<b>FUNCTIONAL SYMBOLS</b> $\nabla_A = 0$ $\nabla_C = 0$ $\nabla_P = 0$ <b>DIVISIONAL SYMBOLS</b> 4 PLACES ± 3 PLACES ± 2 PLACES ± 1 PLACE ± 0 PLACES ±	THIS DRAWING CONTAINS INFORMATION THAT IS PROPRIETARY TO MOLEX ELECTRONIC TECHNOLOGIES, LLC AND SHOULD NOT BE USED WITHOUT WRITTEN PERMISSION		CURRENT REV DESC:		
	DIMENSION UNITS	SCALE	EC NO: 643333		
	mm	4:1	DRWN: IGUMIN	2020/08/12	
	GENERAL TOLERANCES (UNLESS SPECIFIED)		CHK'D: WCHEN	2020/08/17	
ANGULAR TOL ± °		APPR: WCHEN	2020/08/17	PRODUCT CUSTOMER DRAWING	
INITIAL REVISION:		DRWN: MWALDRON	2015/05/22	DOCUMENT NUMBER	DOC TYPE
DRWN: WCHEN		APPR: WCHEN	2015/07/24	SD-106127-03X0	PSD
DRAFT WHERE APPLICABLE MUST REMAIN WITHIN DIMENSIONS		THIRD ANGLE PROJECTION	DRAWING	SERIES	MATERIAL NUMBER
			C-SIZE	106127	SEE TABLE
					CUSTOMER
					SHEET NUMBER
					1 OF 1