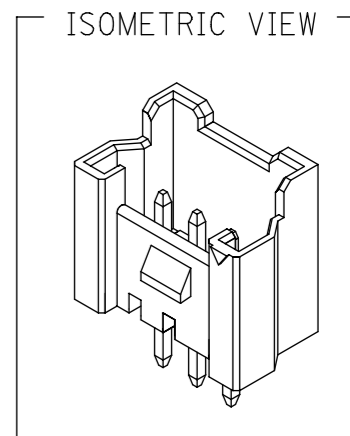
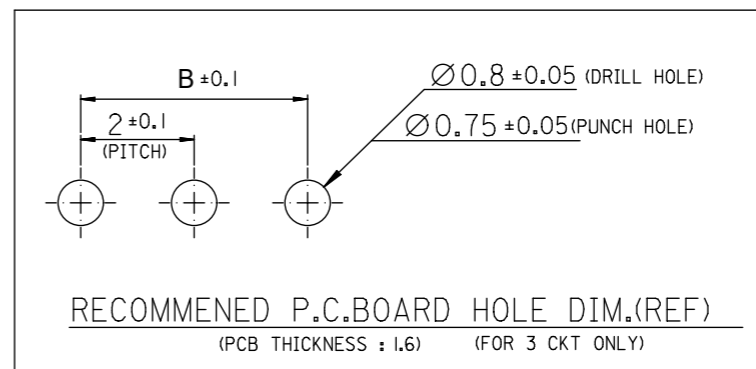
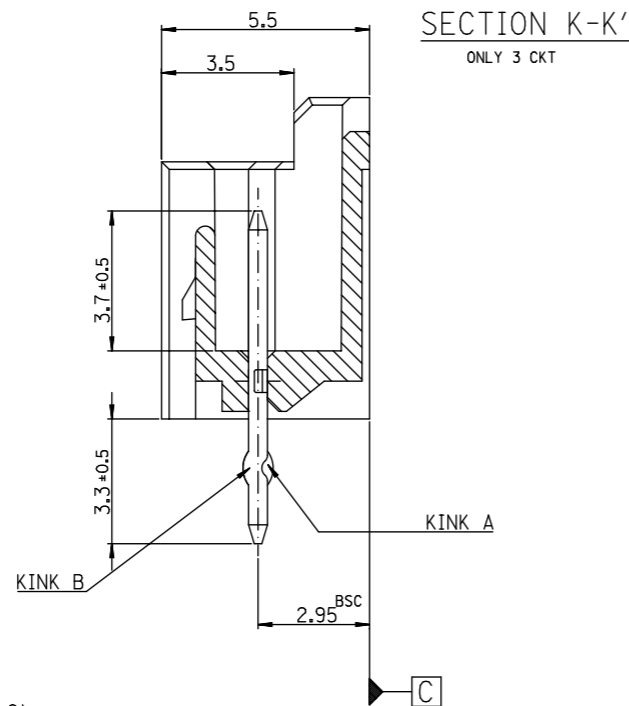
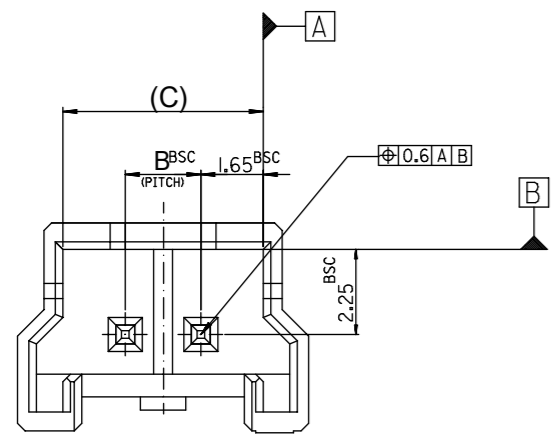


FOR 2 & 3 CKTS.



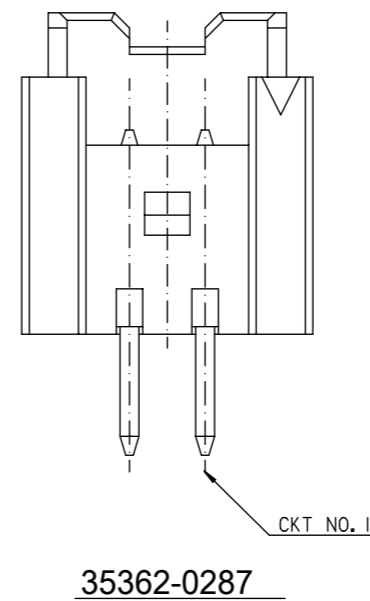
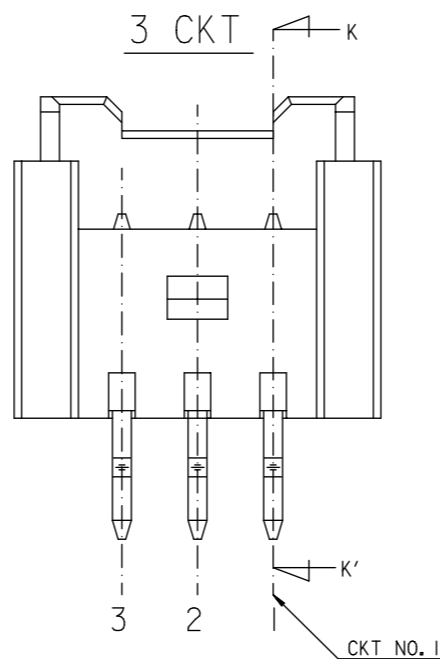
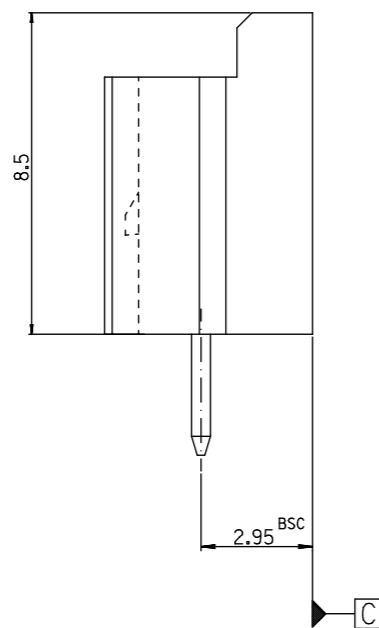
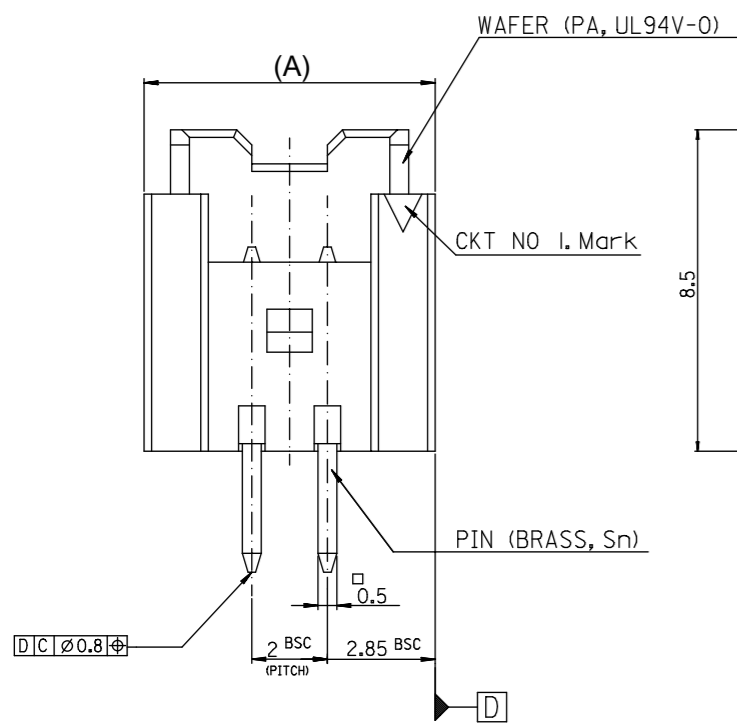
**LEGEND**

SD-35362-\*\*\*\*  
CKT NO. \_\_\_\_\_ COLOR \_\_\_\_\_

FINAL GOOD (BULK)  
SUB ASSY (TUBE)

- 5 : SELECTIVE KINK (LEAD FREE)
- 6 : NONE KINK (LEAD FREE)
- 7 : SELECTIVE KINK (LEAD FREE)
- 8 : NONE KINK (LEAD FREE)

- 0 : NATURAL
- 1 : BLACK
- 2 : RED
- 3 : YELLOW
- 4 : BLUE
- 5 : GREEN
- 6 : TUBE PACKING (Natural Color)
- 7 : TUBE PACKING (Red Color)
- 8 : TUBE PACKING (Blue Color)



**NOTES**

- MATERIAL : UNFILLED POLYAMIDE, UL94V-0  
PIN : BRASS
- FINISHES : PIN - Tin(Sn) 1.0~3.0m OVERALL  
Cu 1.5~3.75m OVERALL
- PRODUCT SPECIFICATION : PS-35507-003
- MATING HOUSING : 35507-\*\*0\*  
MATING TERMINAL : 50212-8000

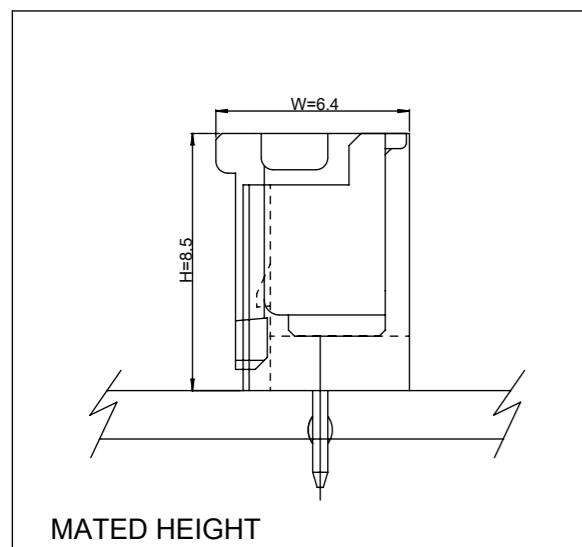
5. KINK

CKT NO.	1	2	3
2 CKT			
3 CKT	A	B	A

6. 35362-0287 IS ONLY KINKED 2P

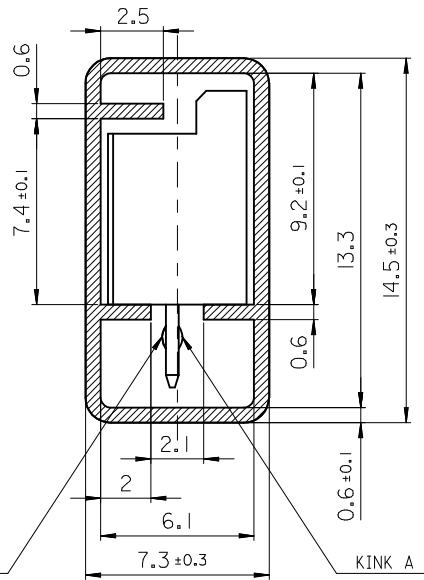
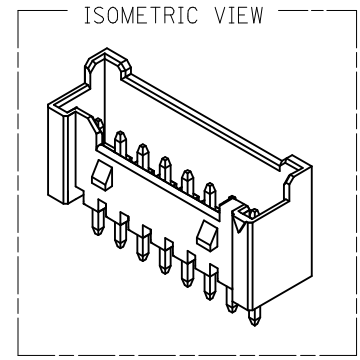
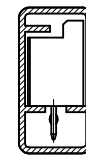
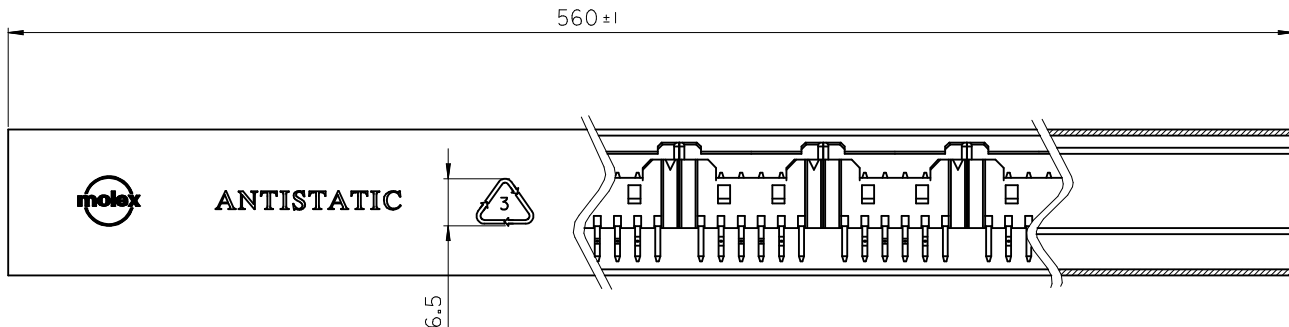
CKT NO.	1	2
PRODUCT NO.		
35362-0287	A	B

7.3	4	9.7	3536203**	35362-03**	3
5.3	2	7.7	3536202**	35362-02**	2
(C)	B	(A)	MATERIAL NO.	ENG. NO.	CKT



<b>LEAD FREE</b>		SYMBOLS		THIS DRAWING CONTAINS INFORMATION THAT IS PROPRIETARY TO MOLEX ELECTRONIC TECHNOLOGIES, LLC AND SHOULD NOT BE USED WITHOUT WRITTEN PERMISSION	
30 over	±0.3	▽ = 0	DIMENSION UNITS	SCALE	CURRENT REV DESC:
10 over 30 under	±0.25	▽ = 0	mm	5:1	EC NO: 605910
10 under	±0.2	▽ = 0	GENERAL TOLERANCES (UNLESS SPECIFIED)		DRWN: JSSHIN 2018/10/11
ANGLE	±3°	▽ = 0	ANGULAR TOL ± °		CHK'D: SHCHU 2018/10/15
GENERAL TOLERANCE		▽ = 0	4 PLACES ±		APPR: YSKIM02 2018/10/16
		▽ = 0	3 PLACES ±		INITIAL REVISION:
		▽ = 0	2 PLACES ±		DRWN: KSKIM 2005/04/29
		▽ = 0	1 PLACE ±		APPR: CHANGWOOLEE 2005/05/03
		▽ = 0	0 PLACES ±		DRAFT WHERE APPLICABLE MUST REMAIN WITHIN DIMENSIONS
		▽ = 0	THIRD ANGLE PROJECTION		DRAWING
		▽ = 0	A3-SIZE		SERIES
		▽ = 0	35362		MATERIAL NUMBER
		▽ = 0	SEE TABLE		CUSTOMER
		▽ = 0	GENERAL MARKET		SHEET NUMBER
		▽ = 0	1 OF 1		

DOCUMENT STATUS	RELEASE DATE
-----------------	--------------



**LEGEND.**

E-35362-\*\*\* \*\*

2-20 Circuits-**CKT NO.**

Final GOOD (Bulk) — 5 : SELECTIVE KINK  
6 : NONE KINK

Sub Assy (Tube) — 7 : SELECTIVE KINK  
8 : NONE KINK

**COLOR & PACKING**

- 0 : NATURAL
- 1 : BLACK
- 2 : RED
- 3 : YELLOW
- 4 : BLUE
- 5 : GREEN
- 6 : TUBE PACKING (Natural Color)
- 7 : TUBE PACKING (RED Color)
- 8 : TUBE PACKING (BLUE Color)

**KINK**

△ A

TABLE

10	20**	-20**	20
10	19**	-19**	19
10	18**	-18**	18
10	17**	-17**	17
15	16**	-16**	16
15	15**	-15**	15
15	14**	-14**	14
15	13**	-13**	13
15	12**	-12**	12
20	11**	-11**	11
20	10**	-10**	10
25	09**	-09**	9
25	08**	-08**	8
30	07**	-07**	7
35	06**	-06**	6
40	05**	-05**	5
50	04**	-04**	4
60	03**	-03**	3
70	3536202**	35362-02**	2
QT'y	Material NO.	ENG. NO.	CKT

NOTES

1. MATERIAL : TUBE - TRANSLUCENT P.V.C (P-1000)  
Wafer - POLYAMIDE, UL94V-0  
PIN - BRASS SQ 0.5mm
2. BOW(CAMBER) : 1.0mm MAX/Total Length
3. DIMENSIONS GIVEN ACROSS CENTER LINES ARE SYMMETRICAL ABOUT THOSE CENTER LINES WITH HALF THE TOTAL LENGTH.
4. TOTAL TUBE LENGTH : 560mm + -1mm
5. TWIST : 5° MAX./Total Length
6. BURRS : 0.2mm MAX.
7. SKEW : PRODUCTS MUST BE FLOWED SMOOTHLY WHEN THIS STICK IS PLACES 30° ANGLE.
8. THICKNESS : 0.6mm + -0.1mm
9. ARTWORK : PER E-35900-0434 (SILK SCREEN COLOR : RED)
10. APPLICABLE STOPPER(RUBBER) : 35900-0435

KINK TABLE(FOR 35362-\*\*\*\*)

CKT NO	1	2	3	4	5	N-2	N-1	N
6 CKT OVER	-	A	B	-	-	B	A	-
5 CKT	A	B	-	B	A	/	/	/
4 CKT	A	B	B	A	/	/	/	/
3 CKT	A	B	A	/	/	/	/	/
2 CKT	None	Kink	/	/	/	/	/	/

\*\* 35362-0287 IS ONLY KINKED 2P

CKT NO	1	2
PRODUCT NO.	35362-0287	A B

LEAD FREE

REVISED EC NO: KOR2014-0116 DRW/TKI/IM01 2014/04/14 CHKD: APPR: YSK/IM02 2014/04/21	QUALITY SYMBOLS	GENERAL TOLERANCES (UNLESS SPECIFIED)	DIMENSION STYLE	SCALE	DESIGN UNITS	THIRD ANGLE PROJECTION
	$F_A=0$ $F_B=0$ $F_C=0$	mm INCH 4 PLACES ± --- ± --- 3 PLACES ± --- ± --- 2 PLACES ± --- ± --- 1 PLACE ± 0.2 ± --- 0 PLACE ± --- ±	MM ONLY	5:1	METRIC	DRAWN BY: YS00KIM DATE: 2000/12/11 CHECKED BY: JKOH DATE: 2000/12/11 APPROVED BY: DATE:
		ANGULAR ± 1°	MATERIAL NO.	TITLE		
		DRAFT WHERE APPLICABLE MUST REMAIN WITHIN DIMENSIONS	9999999999	2.0 W/B WAFER ASS'Y TUBE PACKING -LEAD FREE- <b>molex</b>		
			DOCUMENT NO.		SHEET NO.	
			SD-35362-003		1 OF 1	
		THIS DRAWING CONTAINS INFORMATION THAT IS PROPRIETARY TO MOLEX INCORPORATED AND SHOULD NOT BE USED WITHOUT WRITTEN PERMISSION				