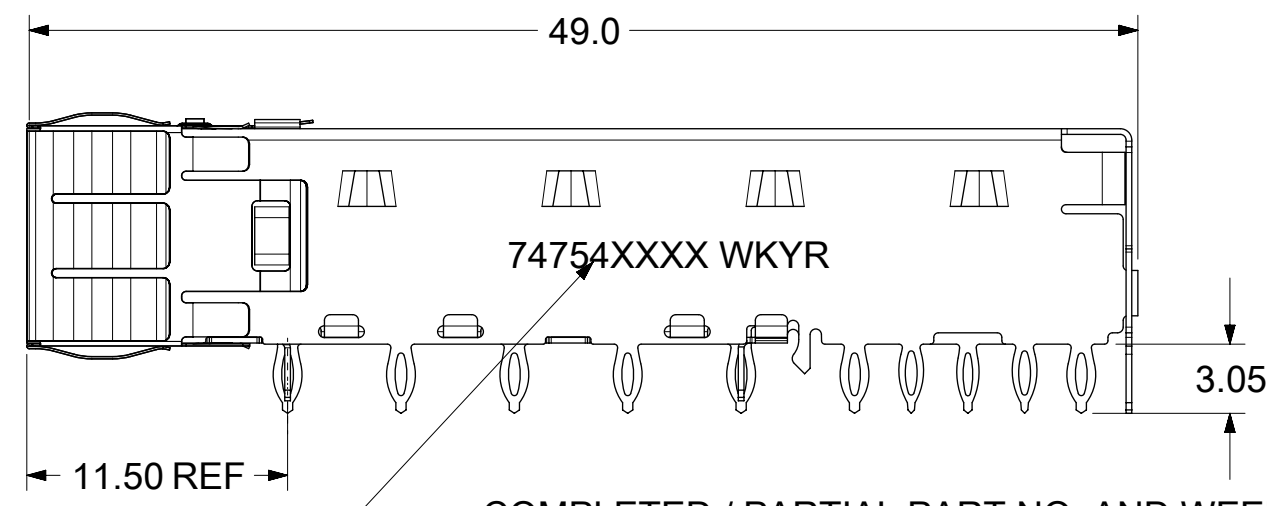
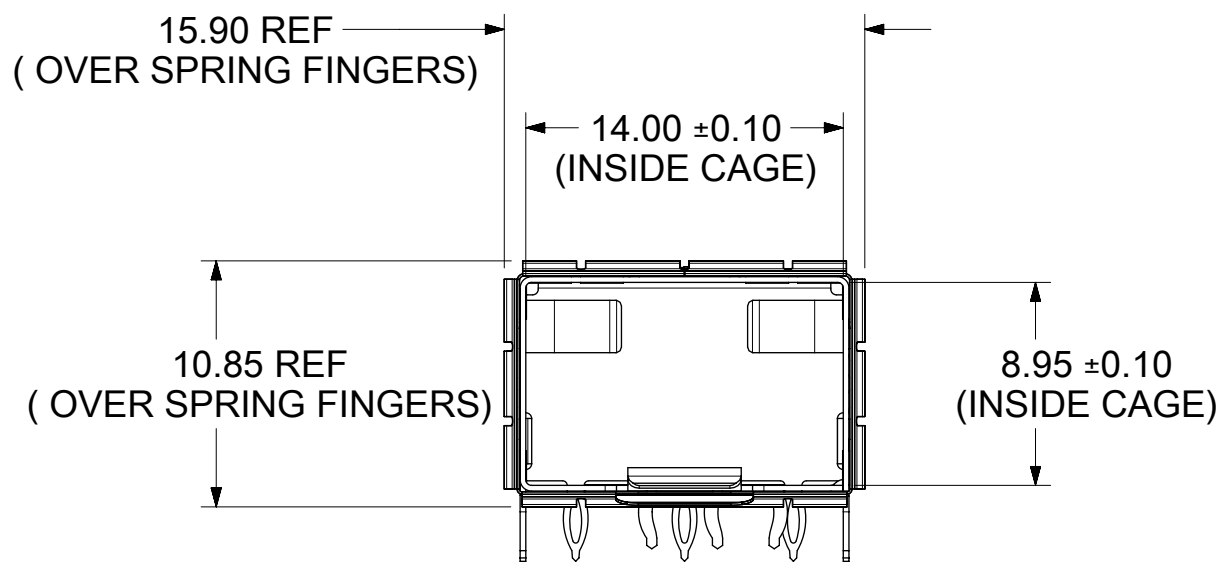


OPTIONAL POLYIMIDE INSULATOR ATTACHED TO BOTTOM OF CAGE MATERIAL NUMBER 747540163 REFERENCE

EMI SPRING FINGER

747540101 SHOWN

SFP+ 1X1 CAGE					
PART NO.	POLYIMIDE INSULATOR	WELD POINT QUANTITY	PACKAGING	PLATING	SHEET
747540101	---	0	TRAY	NICKEL	1
747540108	---	6	TRAY	NICKEL	2



COMPLETED / PARTIAL PART NO. AND WEEK/YEAR DATE CODE TO BE PRINTED / STAMPED ON THE SIDE OF COMPLETED CAGE ASSEMBLY APPROXIMATELY AS SHOWN.

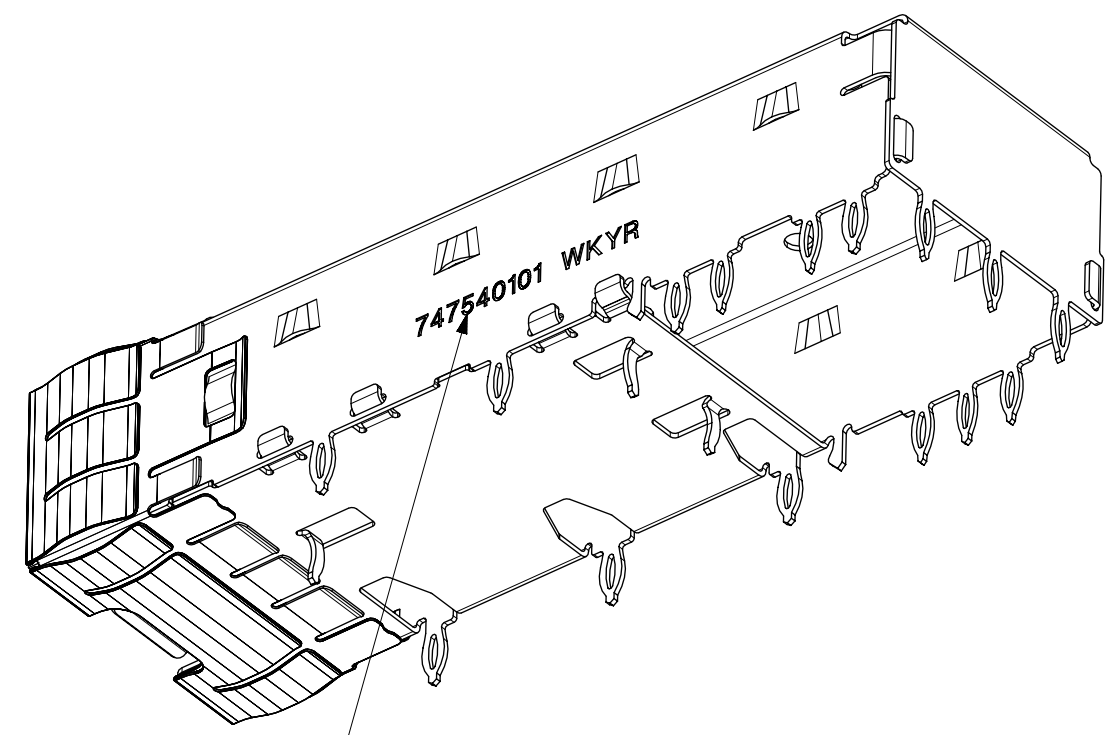
NOTES:

- MATERIAL:
CAGE: COPPER ALLOY, THICKNESS 0.25mm, PLATING REFER TO TABLE.
SPRING FINGER: NICKEL PLATED COPPER ALLOY, THICKNESS 0.10mm
- PRESS FIT LEGS 3.05 LONG -
1.57 MINIMUM PCB THICKNESS FOR SINGLE SIDED USE
- OPTIONAL LIGHT PIPE ASSEMBLY AVAILABLE
- PORTS ARE DESIGNED FOR SFP+ TRANSCEIVERS AND ARE BACKWARDS COMPATIBLE WITH SFP TRANSCEIVERS
- NO RoHS EXEMPTIONS

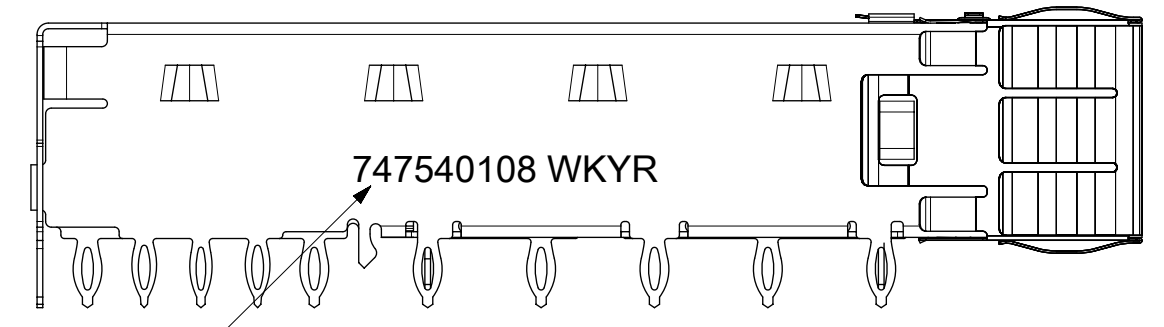
WEEK/YEAR DATE CODE TABLE									
WK	01 THRU 52 OR 53 EXAMPLE: 01 = FIRST WEEK OF YEAR 52 = LAST WEEK OF YEAR								
YR	22, 23, 24 ETC. EXAMPLE: YEAR 2022 = 22								
THIS DRAWING CONTAINS INFORMATION THAT IS PROPRIETARY TO MOLEX ELECTRONIC TECHNOLOGIES, LLC AND SHOULD NOT BE USED WITHOUT WRITTEN PERMISSION									
DIMENSION UNITS	SCALE	CURRENT REV DESC:							
mm	3:1	<p>molex</p> <p>SFP+ 1X1 CAGE ASSY PRESS FIT, WITH EMI SPRING FINGERS</p> <p>PRODUCT CUSTOMER DRAWING</p> <p>DOCUMENT NUMBER: 747540101 DOC TYPE: PSD DOC PART: ASY REVISION: M3</p> <p>MATERIAL NUMBER: SEE P/N TABLE CUSTOMER: GENERAL MARKET SHEET NUMBER: 1 OF 5</p>							
GENERAL TOLERANCES (UNLESS SPECIFIED)									
ANGULAR TOL	± 0.5°								
4 PLACES	±								
3 PLACES	±								
2 PLACES	± 0.13	EC NO: 708952	2022/05/31						
1 PLACE	± 0.25	DRWN: TKUMARKC	2022/06/01						
0 PLACES	±	CHK'D: SMALLESHAPPA	2022/06/06						
DRAFT WHERE APPLICABLE MUST REMAIN WITHIN DIMENSIONS		INITIAL REVISION:		APPR: SCHIEN		APPR: RCHEN08		SERIES: 74754	
THIRD ANGLE PROJECTION		DRAWING: C-SIZE		SERIES: 74754		MATERIAL NUMBER: SEE P/N TABLE		CUSTOMER: GENERAL MARKET	

DOCUMENT STATUS	P1	RELEASE DATE	2022/06/06	01:53:47
-----------------	----	--------------	------------	----------

747540108



MOLEX INTERNAL USE ONLY



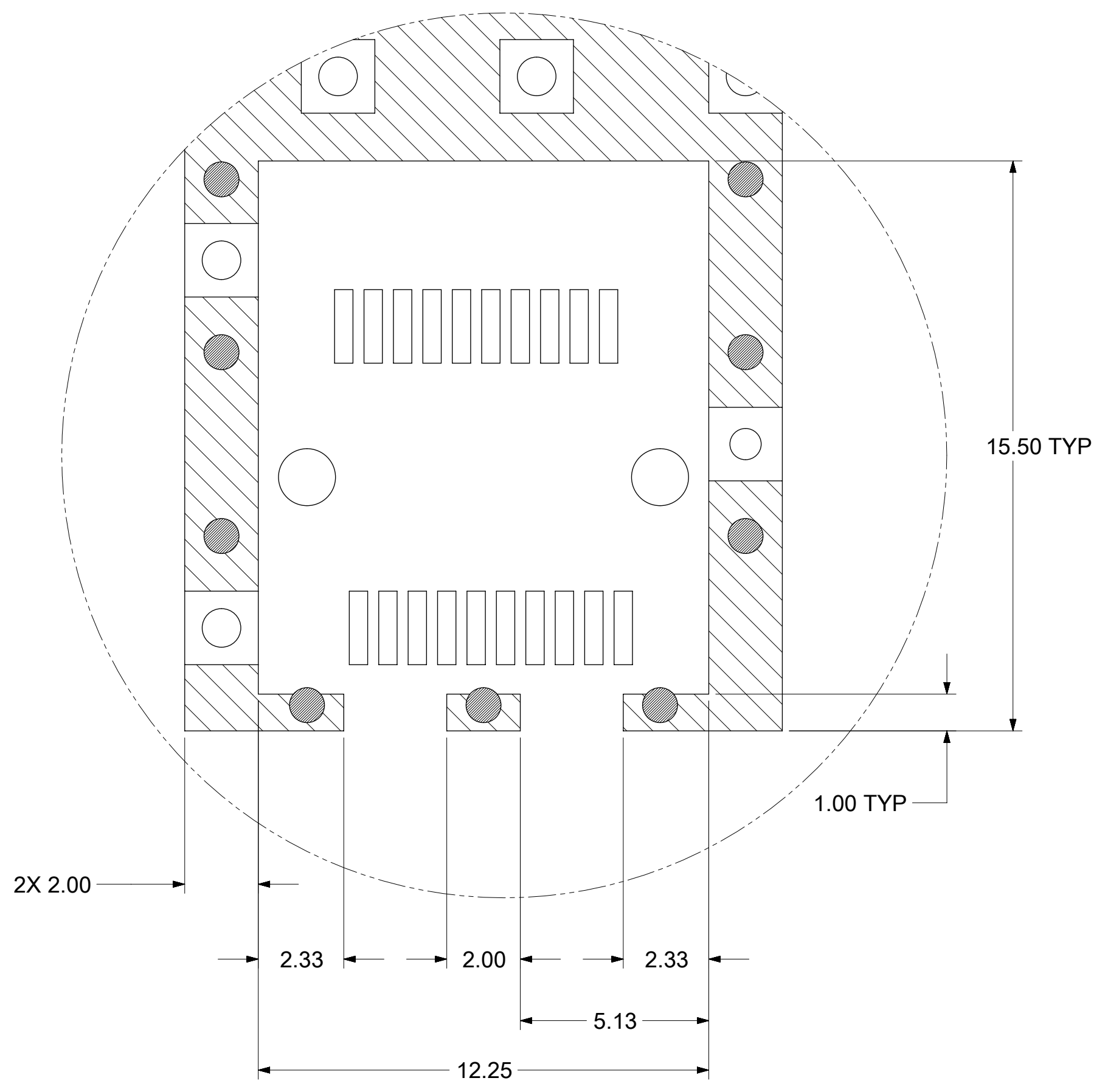
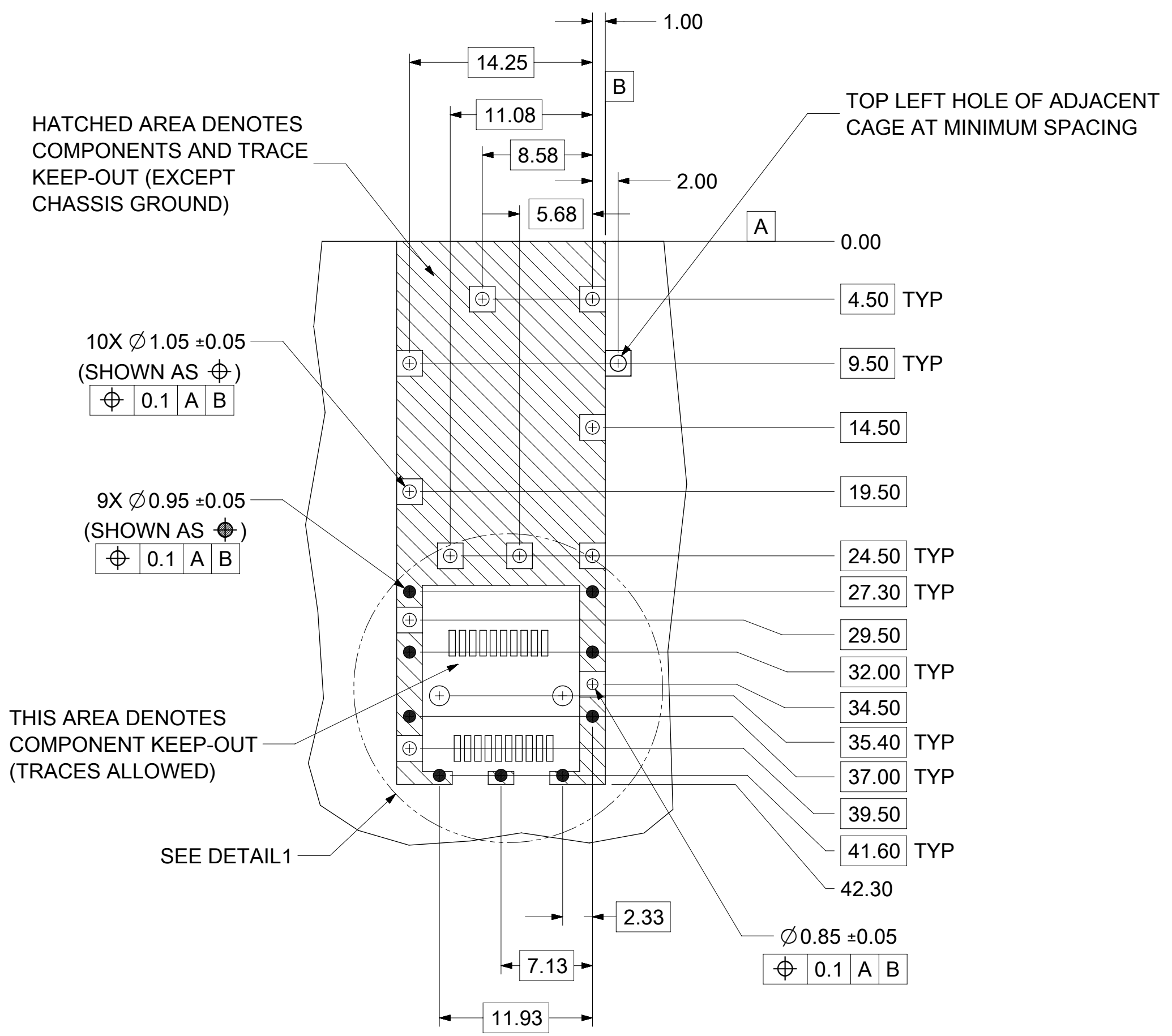
COMPLETED PART NO. AND WEEK/YEAR DATE CODE TO BE PRINTED ON THE SIDE OF COMPLETED CAGE ASSEMBLY APPROXIMATELY AS SHOWN.

THIS DRAWING CONTAINS INFORMATION THAT IS PROPRIETARY TO MOLEX ELECTRONIC TECHNOLOGIES, LLC AND SHOULD NOT BE USED WITHOUT WRITTEN PERMISSION

DIMENSION UNITS		SCALE		CURRENT REV DESC:				molex							
mm		5:1													
GENERAL TOLERANCES (UNLESS SPECIFIED)				EC NO: 708952 DRWN: TKUMARKC 2022/05/31 CHK'D: SMALLESHAPPA 2022/06/01 APPR: SCHIEN 2022/06/06 INITIAL REVISION: DRWN: MAZAM 2017/01/16 APPR: RCHEN08 2018/01/05				SFP+ 1X1 CAGE ASSY PRESS FIT, WITH EMI SPRING FINGERS							
ANGULAR TOL ± 0.5°								PRODUCT CUSTOMER DRAWING							
4 PLACES ±								DOCUMENT NUMBER		DOC TYPE		DOC PART		REVISION	
3 PLACES ±								747540101		PSD		ASY		M3	
2 PLACES ± 0.13								MATERIAL NUMBER		CUSTOMER		SHEET NUMBER			
1 PLACE ± 0.25				SEE P/N TABLE		GENERAL MARKET		2 OF 5							
0 PLACES ±															
DRAFT WHERE APPLICABLE MUST REMAIN WITHIN DIMENSIONS				THIRD ANGLE PROJECTION		DRAWING		SERIES							
						C-SIZE		74754							

DOCUMENT STATUS	P1	RELEASE DATE	2022/06/06	01:53:47
-----------------	----	--------------	------------	----------

PCB LAYOUT FOR SINGLE SIDE MOUNT

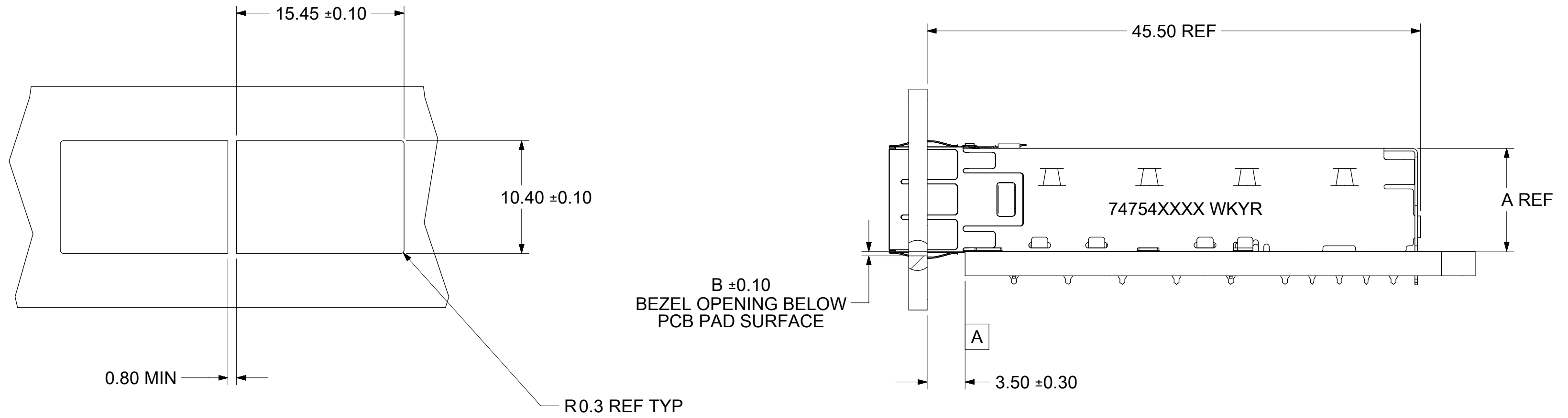


DETAIL 1
SCALE 8:1
HOST CONNECTOR DETAIL

- NOTES:
1. PADS AND VIAS CONNECT TO CHASSIS GROUND (RECOMMEND PADS TO BE 2.00mm SQUARE)
 2. RECOMMENDED THRU HOLE PLATING INCLUDES HASL, OSP, OR IMMERSION (GOLD, SILVER, OR TIN).
 3. CONNECTOR PAD LAYOUT PER SFP+ MSA WILL ACCOMMODATE MOLEX CONNECTOR SERIES 74441 OR EQUIVALENT.

THIS DRAWING CONTAINS INFORMATION THAT IS PROPRIETARY TO MOLEX ELECTRONIC TECHNOLOGIES, LLC AND SHOULD NOT BE USED WITHOUT WRITTEN PERMISSION									
DIMENSION UNITS		SCALE		CURRENT REV DESC:				molex	
mm		3:1							
GENERAL TOLERANCES (UNLESS SPECIFIED)				EC NO: 708952				SFP+ 1X1 CAGE ASSY	
ANGULAR TOL ± 0.5°				DRWN: TKUMARKC 2022/05/31				PRESS FIT, WITH EMI SPRING FINGERS	
4 PLACES ±				CHK'D: SMALLESHAPPA 2022/06/01				PRODUCT CUSTOMER DRAWING	
3 PLACES ±				APPR: SCHIEN 2022/06/06				DOCUMENT NUMBER	
2 PLACES ± 0.13				INITIAL REVISION:				DOC TYPE DOC PART REVISION	
1 PLACE ± 0.25				DRWN: MAZAM 2017/01/16				747540101	
0 PLACES ±				APPR: RCHEN08 2018/01/05				PSD ASY M3	
DRAFT WHERE APPLICABLE MUST REMAIN WITHIN DIMENSIONS		THIRD ANGLE PROJECTION		DRAWING		SERIES		MATERIAL NUMBER	
				C-SIZE		74754		SEE P/N TABLE	
						CUSTOMER		GENERAL MARKET	
								SHEET NUMBER	
								3 OF 5	


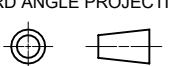
BEZEL AND BOARD POSITION DIMENSIONS FOR SINGLE SIDE MOUNTING (SPRING FINGER)



SFP+ 1X1 CAGE		
PART NO.	DIM A	DIM B
747540101	9.47	0.43
747540108	9.47	0.43

THIS DRAWING CONTAINS INFORMATION THAT IS PROPRIETARY TO MOLEX ELECTRONIC TECHNOLOGIES, LLC AND SHOULD NOT BE USED WITHOUT WRITTEN PERMISSION										
DIMENSION UNITS	SCALE	CURRENT REV DESC:				molex				
mm	3:1					SFP+ 1X1 CAGE ASSY PRESS FIT, WITH EMI SPRING FINGERS				
GENERAL TOLERANCES (UNLESS SPECIFIED)						PRODUCT CUSTOMER DRAWING				
ANGULAR TOL	± 0.5°	EC NO: 708952				DOCUMENT NUMBER				
4 PLACES	±	DRWN: TKUMARKC		2022/05/31		747540101		PSD	ASY	M3
3 PLACES	±	CHK'D: SMALLESHAPPA		2022/06/01						
2 PLACES	± 0.13	APPR: SCHIEN		2022/06/06						
1 PLACE	± 0.25	INITIAL REVISION:				MATERIAL NUMBER		CUSTOMER		SHEET NUMBER
0 PLACES	±	DRWN: MAZAM		2017/01/16		SEE P/N TABLE		GENERAL MARKET		4 OF 5
DRAFT WHERE APPLICABLE MUST REMAIN WITHIN DIMENSIONS		THIRD ANGLE PROJECTION		DRAWING	SERIES					
				C-SIZE	74754					

REV	DATE	DESCRIPTION
E	2014/01/10	1. ADDED P/N: 747541101. [SHT 1] 2. ADDED P/N: 747540108. [SHT 1] 3. ADDED REV HISTORY LIST. [SHT 5]
F	2014/02/24	1. ADDED P/N: 747540132 & 747540133 [SHT 1] [SHT 3] REMOVE NOTE 6 [SHT 1]
G	2014/07/04	1. REVISED 747540132 & 747540133 DIM B FROM 0.40 TO 0.25.[SHEET 3]
H	2014/09/11	1. ADDED DIMENSION " 11.50 REF. " @D14. [SHEET 1]
J	2015/02/25	1. P/N DESCRIPTION CHANGED AS "COMPLETED / PARTIAL PART NO. AND WEEK/YEAR DATE CODE TO BE PRINTED / STAMPED ON THE SIDE OF COMPLETED CAGE ASSEMBLY APPROXIMATELY AS SHOWN." [SHEET 1]
K	2018/01/04	1. REMASTERED FROM SD-74754-0101 REV_ J TO 747540101 PSD ASY REV_ K IN NX. 2. SHEET 3 : E7 : ADDED DIMENSION R0.3 REF TYP
L	2018/01/23	1.SHEET 1: CORRECTED TYPO TO CHANGE WELDING POINT FROM 14 TO 6 PCS MATCHING WITH ACTUAL SAMPLE FOR 747540108
L1	2018/02/05	UPDATED DRAWING TO REMOVE PRE-RELEASE STAMP FOR ALL SHEET BECAUSE OF SYSTEM PROBLEM
L2	2018/03/07	UPDATED THE DRAWING TO ADD THE MATERIAL NUMBER ON THE TITLE BLOCK
L3	2018/03/12	SHEET 1: G06: CORRECTED SYSTEM ERROR TO ADD THE 74754XXXX WKYR SHEET 3: F04: CHANGED FROM SPECIFIC P/N 747540101 TO COMMON P/N 74754XXXX FOR BETTER UNDERSTANDING
L4	2018/03/20	SHEET 3: F04: CORRECTED THE SYSTEM ERROR ABOUT POSITION OF 74754XXXX WKYR
M	2018/06/14	ADDED SHEET 2 FOR 747540108 DETAIL AND ADDED 747540108WKYR PRINTING ON SIDE OF CAGE FOR BETTER UNDERSTANDING
M1	2020/02/06	SHEET 1 & SHEET 4: REMOVED OBSOLETE PART NUMBERS 747540132, 747541101 FROM TABLE
M2	2021/05/20	OBSOLETE PART NUMBER 747540133.
M3	2022/05/31	SHEET 1: REMOVED P/N 747548101 FROM PART NUMBER TABLE. SHEET 4: REMOVED P/N 747548101 FROM TABLE. SHEET 5: DELETED TAPE AND REEL PACKAGING DETAIL.

THIS DRAWING CONTAINS INFORMATION THAT IS PROPRIETARY TO MOLEX ELECTRONIC TECHNOLOGIES, LLC AND SHOULD NOT BE USED WITHOUT WRITTEN PERMISSION									
DIMENSION UNITS		SCALE		CURRENT REV DESC:					
mm		1:1							
GENERAL TOLERANCES (UNLESS SPECIFIED)				EC NO: 708952 DRWN: TKUMARKC 2022/05/31 CHK'D: SMALLESHAPPA 2022/06/01 APPR: SCHIEN 2022/06/06 INITIAL REVISION: DRWN: MAZAM 2017/01/16 APPR: RCHEN08 2018/01/05				SFP+ 1X1 CAGE ASSY PRESS FIT, WITH EMI SPRING FINGERS	
ANGULAR TOL ± 0.5°								PRODUCT CUSTOMER DRAWING	
4 PLACES ±								DOCUMENT NUMBER	
3 PLACES ±								747540101	
2 PLACES ± 0.13								DOC TYPE DOC PART REVISION	
1 PLACE ± 0.25				PSD ASY M3					
0 PLACES ±				MATERIAL NUMBER					
DRAFT WHERE APPLICABLE MUST REMAIN WITHIN DIMENSIONS		THIRD ANGLE PROJECTION		DRAWING		SERIES		CUSTOMER	
				C-SIZE		74754		GENERAL MARKET	
						SEE P/N TABLE		SHEET NUMBER	
								5 OF 5	