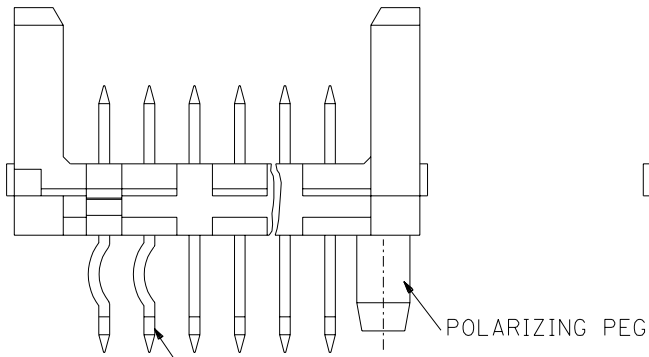
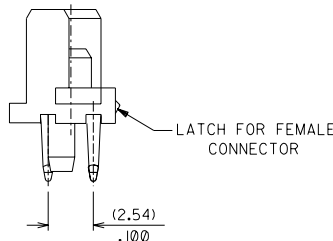
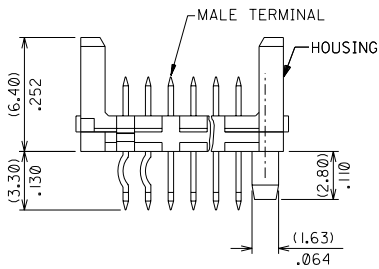
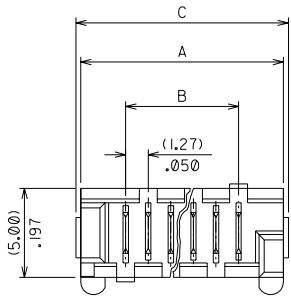
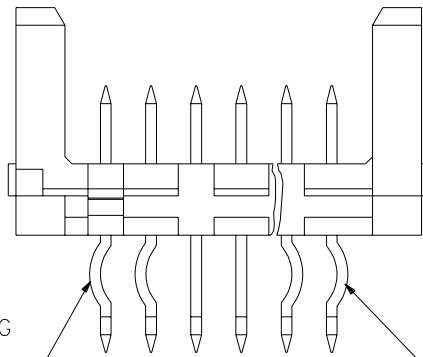


NOTES:

- HOUSING MATL. POLYESTER PBT 15% GLASS FILLED TO UL 94 V-0, BLACK.
- TER. MATL. BRASS (0.28)/.011 THK PLATING. TIN: (1.27um)/50u" MIN NICKEL UNDER (4-6um)/160-240u" TIN
- APPL. CLASS TO DIN 40040 HME (-25°C/+100°C)
- PIN PUSH FORCE MIN 7N
- TEST VOLTAGE: 750 V.A.C./1 MIN
- COMPATIBLE WITH MOLEX PT 90327
- PART NUMBER CONFIGERATION 90715-



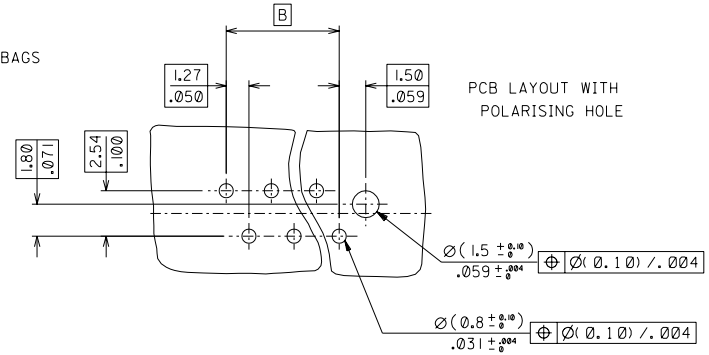
KINKS THIS SIDE ONLY WITH PEG
(SCALE 10:1)



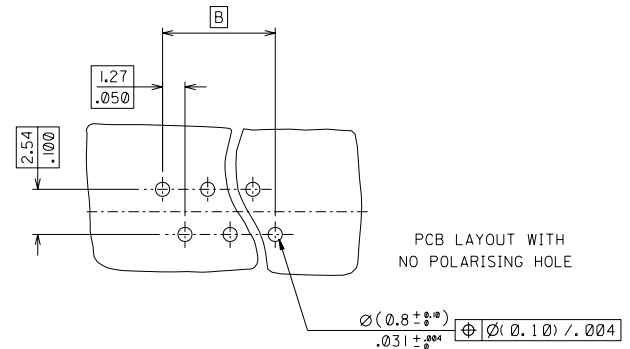
KINKS ON BOTH SIDES WITHOUT PEG
(SCALE 10:1)

SEE CHART ON SHEET 2
 Ø = PACKED LOOSE IN BAGS
 I = PACKED IN TUBES

PCB LAYOUT VIEWED FROM SOLDER SIDE BOARD (1.60 ± 0.14) .063 ± .006 THK



PCB LAYOUT WITH POLARISING HOLE



PCB LAYOUT WITH NO POLARISING HOLE

3	N
2	N
1	N

SHT	REV
3	N
2	N
1	N

CHG PLATING SPEC NO. E2003-0567 DRWN: JDENNEY 03/03/04 CHK: APPR:	DESCRIPTION MAJOR CRITICAL C =	QUALITY SYMBOLS	GENERAL TOLERANCES: (UNLESS SPECIFIED)	SCALE 5:1	DESIGN UNITS <input checked="" type="checkbox"/> mm <input type="checkbox"/> INCH	THIRD ANGLE PROJECTION	DIMENSIONS: <input checked="" type="checkbox"/> mm <input type="checkbox"/> INCH <input type="checkbox"/> mm ONLY	SHT REV
		DRAWN BY & DATE SFARKAS 03/11/2000	CHECKED BY & DATE EFOLAN 03/11/2000	TITILE: 1.27mm PF LoPro Vt Knk	BEHAVE ON CAD ONLY			
		APPROVED BY & DATE MWILHITE 03/11/2000	CAD FILENAME	MATERIAL NO. SEE CHART	DRAWING NO. SDA-90715	SHEET NO. 10F3		
		DRAFT WHERE APPLICABLE MUST REMAIN WITHIN DIMENSIONS	THIS DRAWING CONTAINS INFORMATION THAT IS PROPRIETARY TO MOLEX INCORPORATED AND SHOULD NOT BE USED WITHOUT WRITTEN PERMISSION.	MOLEX INCORPORATED	SIZE C			

PART NO. SEE CHART
 DWG NO. SDA-90715

PART NO.	NO. OF CKTS	DIMN. A	DIMN. B	DIM. C	NO. ASSYS IN TUBE 90715-1 * * * SERIES	PEG
90715-*007	4	(8.86)/.349	(3.81)/.150	(9.32)/.366	57	NO
90715-*008	4	(8.86)/.349	(3.81)/.150	(9.32)/.366	57	YES
90715-*003	6	(11.40)/.449	(6.35)/.250	(11.86)/.467	44	NO
90715-*005	6	(11.40)/.449	(6.35)/.250	(11.86)/.467	44	YES
90715-*001	8	(13.94)/.549	(8.89)/.350	(14.40)/.567	36	NO
90715-*004	8	(13.94)/.549	(8.89)/.350	(14.40)/.567	36	YES
90715-*009	10	(16.48)/.649	(11.43)/.450	(16.94)/.667	32	NO
90715-*002	10	(16.48)/.649	(11.43)/.450	(16.94)/.667	32	YES
90715-*010	12	(19.02)/.748	(13.97)/.550	(19.48)/.766	27	NO
90715-*011	12	(19.02)/.748	(13.97)/.550	(19.48)/.766	27	YES
90715-*012	14	(21.56)/.848	(16.51)/.650	(22.02)/.866	24	NO
90715-*013	14	(21.56)/.848	(16.51)/.650	(22.02)/.866	24	YES
90715-*014	16	(24.10)/.948	(19.05)/.750	(24.56)/.966	22	NO
90715-*006	16	(24.10)/.948	(19.05)/.750	(24.56)/.966	22	YES
90715-*015	18	(26.64)/1.048	(21.59)/.850	(27.10)/1.066	19	NO
90715-*016	18	(26.64)/1.048	(21.59)/.850	(27.10)/1.066	19	YES
90715-*017	20	(29.18)/1.148	(24.13)/.950	(29.64)/1.166	18	NO
90715-*018	20	(29.18)/1.148	(24.13)/.950	(29.64)/1.166	18	YES
90715-*021	22	(31.72)/1.248	(26.67)/1.050	(32.18)/1.266	16	NO
90715-*022	22	(31.72)/1.248	(26.67)/1.050	(32.18)/1.266	16	YES
90715-*023	24	(34.26)/1.348	(29.21)/1.150	(34.72)/1.366	15	NO
90715-*024	24	(34.26)/1.348	(29.21)/1.150	(34.72)/1.366	15	YES
90715-*019	26	(36.80)/1.448	(31.75)/1.250	(37.26)/1.466	14	NO
90715-*020	26	(36.80)/1.448	(31.75)/1.250	(37.26)/1.466	14	YES

CHANGE TUBE QTY. EC NO: E2006-0877 DRWN: WASZKI EMI CZ 2006/06/02 CHK'D: MOR ARTY 2006/06/02 APPR: DENNEHY 2006/06/09	QUALITY SYMBOLS	GENERAL TOLERANCES (UNLESS SPECIFIED)		DIMENSION STYLE MM ONLY		SCALE ---	DESIGN UNITS METRIC	THIRD ANGLE PROJECTION	
	▽=0 ▽C=0	mm	INCH	DRAWN BY SFARKAS	DATE 2000/11/03	TITLE 1.27MM PF LOPRO VT KNK			
		4 PLACES ±---	±---	CHECKED BY EFOLAN	DATE 2000/11/03				
		3 PLACES ±---	±.008	APPROVED BY MWILHITE	DATE 2000/11/06	MOLEX INCORPORATED DOCUMENT NO. SDA-90715 SHEET NO. 2 OF 3			
	2 PLACES ±0.20	±.008	MATERIAL NO.						
	1 PLACE ±0.20	±---	DRAFT WHERE APPLICABLE MUST REMAIN WITHIN DIMENSIONS		SIZE A3		THIS DRAWING CONTAINS INFORMATION THAT IS PROPRIETARY TO MOLEX INCORPORATED AND SHOULD NOT BE USED WITHOUT WRITTEN PERMISSION		