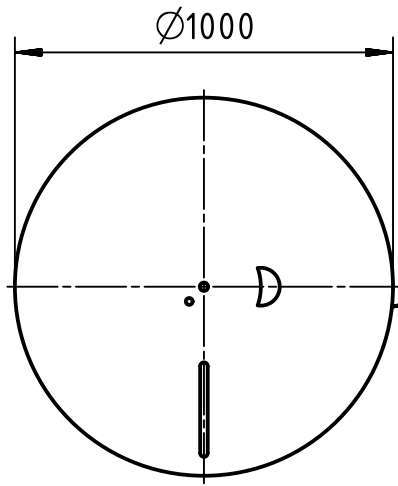
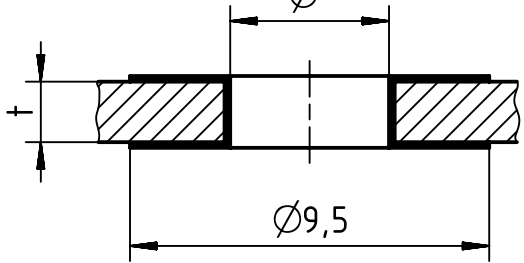


| | |
|---------|---------------------------------------|
| t | ∅ |
| 1,6-3,2 | 4,4 ^{+0,05} _{-0,04} |

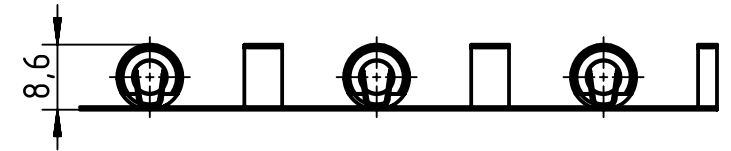
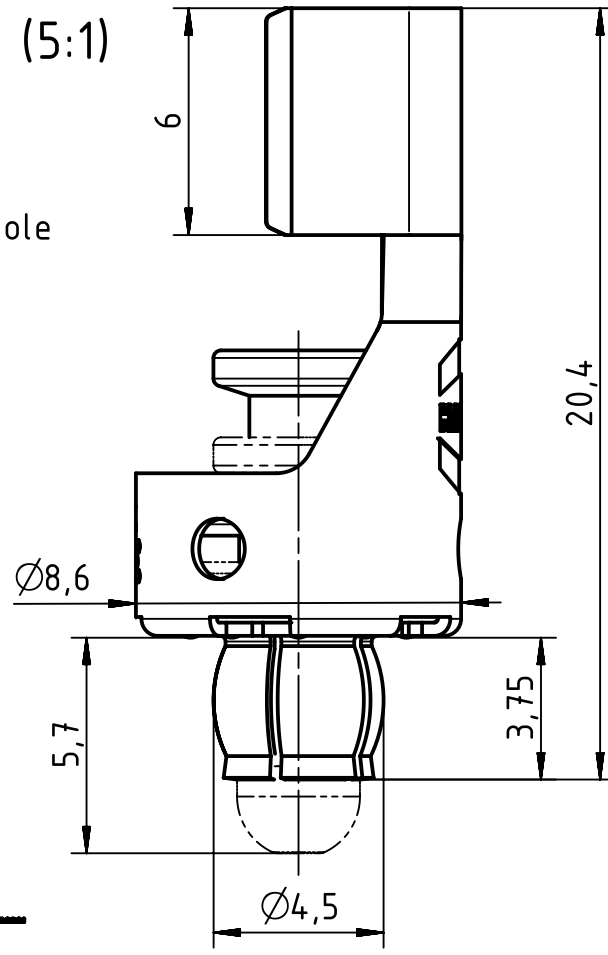
(5:1)

PCB lay-out

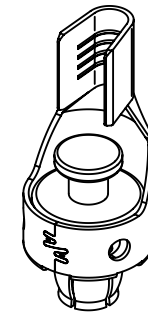
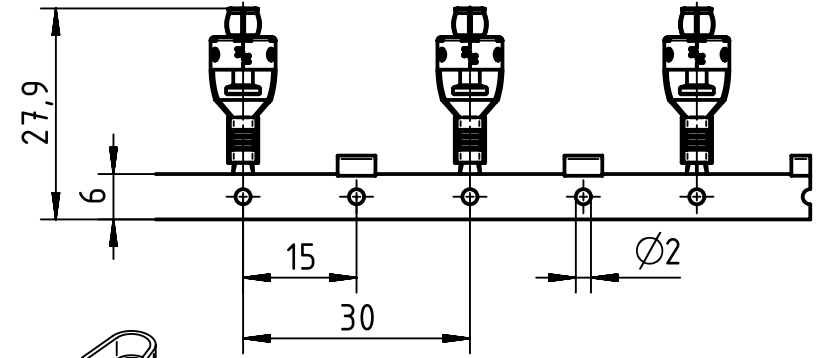
finished hole



(1:20)



X



| | | | | | | |
|---|--|--|---------------------------|-----------------------------|--------------------|------------------------|
| | All rights reserved Department EL PD HARTING Electric GmbH & Co. KG D-32339 Espelkamp | All Dimensions in mm Original Size DIN A4 | | Scale 1:1 | Free size tol. | Ref. Sub. |
| | | Created by DEIMEL | Inspected by SCHNIEDER | Standardisation TIEMANNA | Date 2016-03-30 | State Final Release |
| Title Han-Fast Lock 4-6mm² m.Pin Ag Ro 2300St. | | Type TB | Number 09 08 000 6123 | Rev. D | Page 1/1 | |