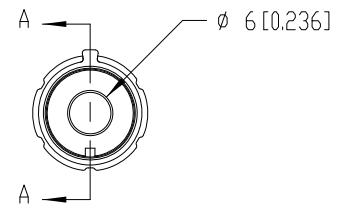
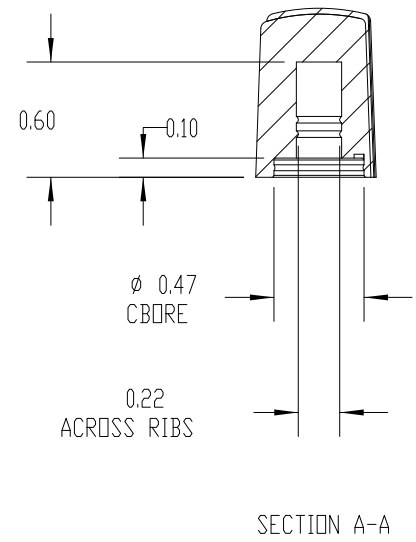
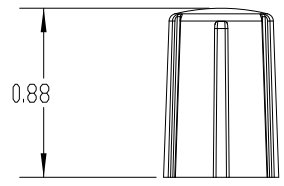
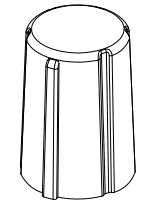
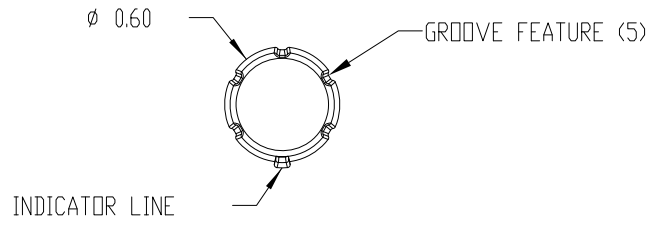


PART NAME: KNOB	SCALE: 1:1	DATE: 8/18/17	DR. BY: JAM
THIS DRAWING IS THE PROPERTY OF DAVIES MOLDING COMPANY, IS SUBMITTED SOLELY AS A DESIGN OR ENGINEERING PROJECT. WE ACCEPT NO RESPONSIBILITY WHATSOEVER FOR THE PRACTICAL APPLICATION OF THE PIECES MADE TO THIS DESIGN.			



P/N	1246-L
MOLD #	1226
CAVITY	1226
CORE	1226
OVERMOLD CAVITY	1246
PIN	1226-L



SUBSTRATE MATERIAL: POLYPROPYLENE (CLD)
 COLOR: WHITE (PC23083)
 OVERMOLD MATERIAL: TPE (TPE3)
 COLOR: BLACK

TOLERANCES: UNLESS OTHERWISE SPECIFIED	DO NOT SCALE DRAWING			
DECIMALS: X.XXX ± .005 X.XX ± .015	MM: X.XX ± 0.15MM X.X ± 0.4MM			
FRACTIONS ± 1/64	ANG. ± 1°	CHANGES		