

6

5

4

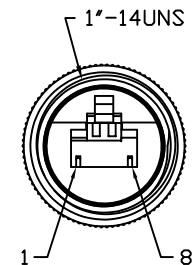
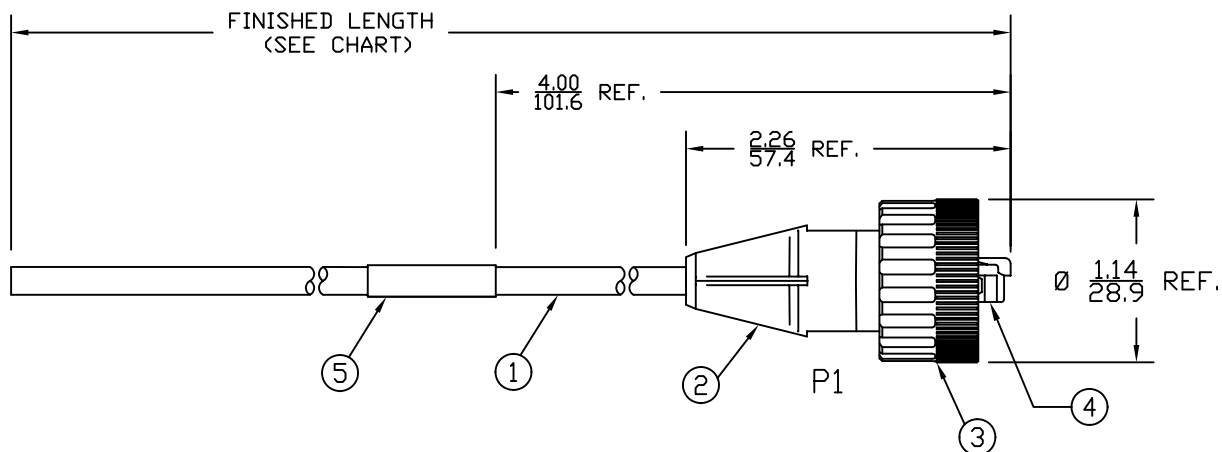
3

2

1

MATERIAL NUMBER	ENGINEERING NO.	LENGTH ± TOLERANCE
1300500071	ENP1105M010	3' 3" +2.19"/-0" [1M +55.6/-0 mm]

AUX VIEW
SCALE 1:4



MALE - FACE VIEW

P1	
WHITE/BLUE	1
BLUE	2
WHITE/DRG	3
NOT USED	4
NOT USED	5
ORANGE	6
NOT USED	7
NOT USED	8
SHIELD	SHLD

WIRING DIAGRAM

NOTES:

- 1) MATERIAL: SEE TABLE
- 2) FINISHES: SEE TABLE
- 3) CABLE: #26/8 SHIELDED TWISTED PAIR, PUR
- 4) ELECTRICAL DATA:
ACCORDING TO CAT5e ETHERNET STANDARD
MAX. VOLTAGE: 30V
MAX. CURRENT 1.5A
- 5) ENVIRONMENTAL:
PROTECTION IP67
TEMPERATURE RANGE: -20°C TO +80°C
- 6) WRAP LABEL IS MARKED WITH P/N & DATE CODE.
- 7) ASSEMBLY IS RoHS COMPLIANT.

ITEM	QTY.	DESCRIPTION	MATERIAL	FINISH
5	1	LABEL	PLASTIC FILM	BLACK/YELLOW
4	1	RJ45 PLUG	POLYCARBONATE	CLEAR
3	1	COUPLING NUT	ABS	BLACK
2	1	OVERMOLD	TPE	BLACK
1	1	ETHERNET CABLE-CAT5E	PUR JACKET	BLACK

SD RELEASE EC NO: WNA2010-0432 DRWN: TVICKERS 2010/01/14 CHKD: BWOODMA APPR: DTTITUS 2010/01/15	DESCRIPTION REV	QUALITY SYMBOLS $\nabla=0$ $\nabla C=0$	GENERAL TOLERANCES (UNLESS SPECIFIED)	DIMENSION STYLE IN/MM	SCALE 1:1	DESIGN UNITS INCH	THIRD ANGLE PROJECTION		
			4 PLACES ±--- ±--- 3 PLACES ±--- ±0.05 2 PLACES ±0.13 ±0.10 1 PLACE ±0.25 ±0.20 ANGULAR ±1/2°	DRAWN BY DATE CHECKED BY DATE BWOODMAN 2009/07/31 APPROVED BY DATE DTITUS 2010/01/15	TITLE INDUSTRIAL ETHERNET ASSY 8P MALE 10 BASE-T #26/8 SHIELDED CABLE				
			DRAFT WHERE APPLICABLE MUST REMAIN WITHIN DIMENSIONS	MATERIAL NO. SEE CHART	DOCUMENT NO. SD-130050-011	SHEET NO. 1 OF 1			
				SIZE A	THIS DRAWING CONTAINS INFORMATION THAT IS PROPRIETARY TO MOLEX INCORPORATED AND SHOULD NOT BE USED WITHOUT WRITTEN PERMISSION				

6

5

4

3

2

1

E

E

D

D

C

C

B

B

A

A