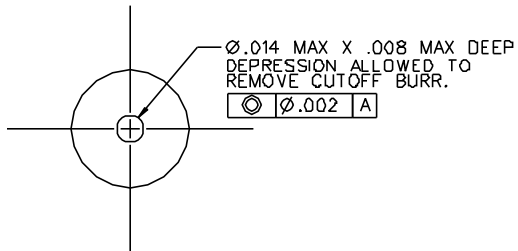


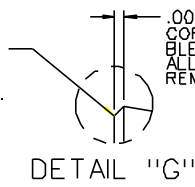
PART NUMBER	ITEM ① BODY	ITEM ② CONTACT	ITEM ③ INSULATOR	ITEM ④ CONTACT (PROBE END SURFACE ONLY)
142-1731-041	BRASS GOLD PL .00001 MIN OVER NICKEL PL .00005 MIN OVER COPPER PL .00005 MIN	BERYLLIUM COPPER GOLD PL .00005 MIN OVER NICKEL PL .00005 MIN OVER COPPER PL .00005 MIN	TEFLON	BERYLLIUM COPPER GOLD PL .00009 MIN OVER NICKEL PL .00005 MIN OVER COPPER PL .00005 MIN
142-1731-046	BRASS NICKEL PL .0001 MIN OVER COPPER PL .00005 MIN	BERYLLIUM COPPER GOLD PL .00005 MIN OVER NICKEL PL .00005 MIN OVER COPPER PL .00005 MIN	TEFLON	BERYLLIUM COPPER GOLD PL .00009 MIN OVER NICKEL PL .00005 MIN OVER COPPER PL .00005 MIN

DRAWING NO. C - 142-1731-041/050	
0 REVISIONS	
ENGINEERING RELEASE	
1	4-28-98 R H J J A B 6-2-98 ECN 45511
VERSION UPDATE	
* REVISION NUMBER FOLLOWED BY AN ALPHA * * CHARACTER INDICATES DRAWING CLARITY * * CATION OR PART NUMBER ADDITION ONLY *	
1a	8-4-98 R H J J A B 8-19-98 ECN 45780
ADDED: GEO TOLERANCES END SURFACE FINISH VIEW "E-E", DETAIL "G", ITEM 4, FLAGNOTE 2	
2	10-28-98 R H J J A B 10-28-98 ECN 45996

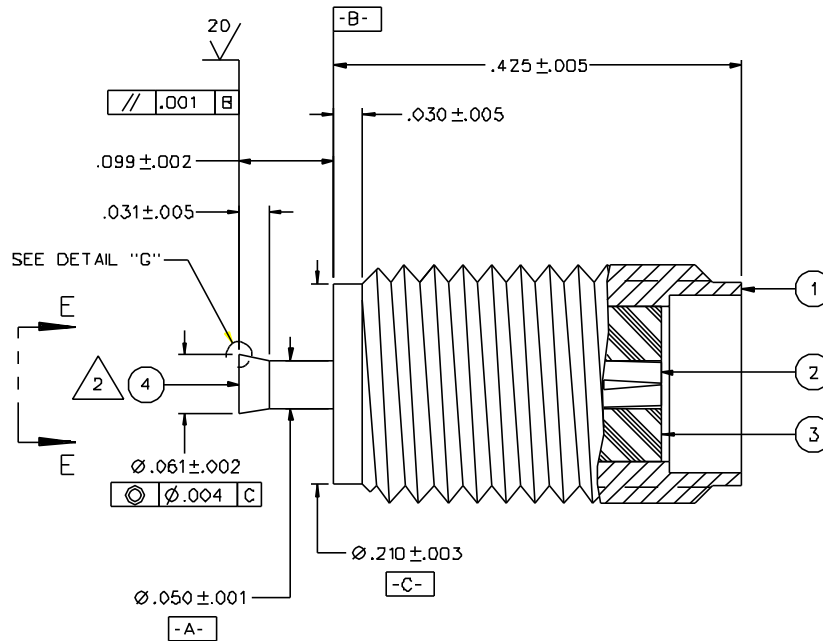


VIEW "E-E"
20:1 CONTACT END SURFACE

BLEND SHARP EDGE TO MEET SURFACE FINISH REQUIREMENTS. NO BURRS OR PROTRUSIONS ALLOWED.



DETAIL "G"
20:1



NOTES:

1. SPECIFICATIONS:

IMPEDANCE: 50 OHMS
 FREQUENCY RANGE: 0-18 GHz
 VSWR: DEPENDENT UPON APPLICATION. TYPICALLY < 1.1 * .01 F (F IN GHz)
 WORKING VOLTAGE: 335 VRMS MAX AT SEA LEVEL
 DIELECTRIC WITHSTANDING VOLTAGE: 1000 VRMS MIN AT SEA LEVEL
 INSULATION RESISTANCE: 5000 MEGOHM MIN
 CONTACT RESISTANCE:
 CENTER CONTACT - INITIAL 3.0 MILLIOHM MAX, AFTER ENVIRONMENTAL 4.0 MILLIOHM MAX
 OUTER CONDUCTOR - INITIAL 2.0 MILLIOHM MAX AFTER ENVIRONMENTAL NOT APPLICABLE
 BRAID TO BODY - NOT APPLICABLE
 CORONA LEVEL: 250 VOLTS MIN AT 70,000 FEET
 INSERTION LOSS: NOT APPLICABLE
 RF LEAKAGE: NOT APPLICABLE
 RF HIGH POTENTIAL WITHSTANDING VOLTAGE: 670 VRMS MIN AT 4 AND 7 MHz

MECHANICAL:

ENGAGE/DISENGAGE TORQUE: 2 INCH-POUNDS MAX
 MATING TORQUE: 7-10 INCH POUNDS
 COUPLING PROOF TORQUE: NOT APPLICABLE
 COUPLING NUT RETENTION: NOT APPLICABLE
 CONTACT RETENTION: 6 LBS MIN AXIAL FORCE ON MATING END
 3 LBS MIN AXIAL FORCE ON PROBE END
 CABLE ACCEPTABILITY: NOT APPLICABLE
 CABLE HEX CRIMP SIZE: NOT APPLICABLE
 CABLE RETENTION: NOT APPLICABLE
 DURABILITY: 500 CYCLES MIN

ENVIRONMENTAL:

(MEETS OR EXCEEDS THE APPLICABLE PARAGRAPH OF MIL-C-39012)
 THERMAL SHOCK: MIL-STD-202, METHOD 107, CONDITION B
 OPERATING TEMPERATURE: -65 DEG C TO 165 DEG C
 CORROSION: MIL-STD-202, METHOD 101, CONDITION B
 SHOCK: MIL-STD-202, METHOD 213, CONDITION I
 VIBRATION: MIL-STD-202, METHOD 204, CONDITION D
 MOISTURE RESISTANCE: MIL-STD-202, METHOD 106

2. NO BURRS OR PROTRUSIONS ALLOWED ON CONTACT PROBE END SURFACE. SEE DETAILS IN VIEW "E-E" AND DETAIL "G" FOR OPTIONAL BURR REMOVAL ALLOWANCES. CONTACT PROBE END SURFACE MUST BE CLEAN AND FREE OF ALL CONTAMINANTS (FLUIDS, OILS, HUMAN HANDLING, ETC.).

CUSTOMER DRAWING

THIS DRAWING TO BE INTERPRETED PER ANS Y 14.5M - 1982

"μSTATION"

COMPANY CONFIDENTIAL

TOLERANCE UNLESS OTHERWISE SPECIFIED	DRAWN BY JRK	DATE 4-8-98	 Cinch Connectivity Solutions 299 Johnson Ave, Ste. 100 Waseca, MN 56093 1-800-247-8256
DECIMALS .XX	CHECKED BY JRK	DATE 4-29-98	
REF	APPROVED BY TAK	DATE 4-29-98	TITLE ASSEMBLY, JACK, SPARK PLUG SMA
MATL	APPROVED BY RJB	DATE 4-29-98	CODE NO. C - 142-1731-041/050
FINISH	RELEASE DATE 6-2-98	SCALE 10:1	DRAWING NO. C - 142-1731-041/050
		U/M INCH	SHEET 2 OF 2