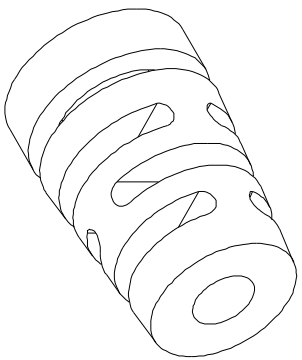
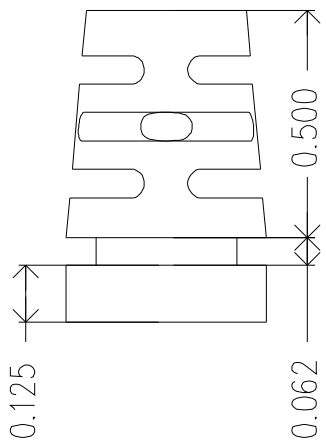
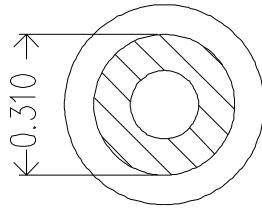
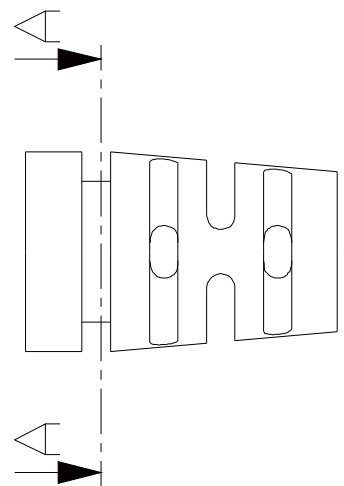
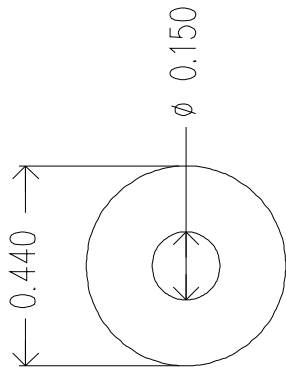


REVISIONS		DATE	APPROVED
ZONE	REV.		



Mold Material: ISC P/N: 5000214, PVC, M1472, Black, RoHS

DRAWN	CHECKED	ENG APPR.	MFG APPR.	Q.A.	COMMENTS:	NAME	DATE
R FIERRO						R FIERRO	08/08/03

DIMENSIONS ARE IN INCHES

TOLERANCES:

FRACTIONAL: ±

ANGULAR: MACH ±

TWO PLACE DECIMAL ±

THREE PLACE DECIMAL ±

MATERIAL: ---

FINISH: ---

DO NOT SCALE DRAWING

APPLICATION: USED ON

NEXT ASSY: ---

SCALE: 5:1

WEIGHT: 1461080-150-B-310-440-0

SIZE DWG. NO. 1467095

SCALE: 5:1

WEIGHT: 1467095

REVISIONS:

REV. 1

SHEET 1 OF 1



Dimensions are subject to change.  
 PROPRIETARY AND CONFIDENTIAL  
 THE INFORMATION CONTAINED IN THIS DRAWING IS THE SOLE PROPERTY OF ISC ENGINEERING. ANY REPRODUCTION IN PART OR AS A WHOLE WITHOUT THE WRITTEN PERMISSION OF ISC ENGINEERING IS PROHIBITED.