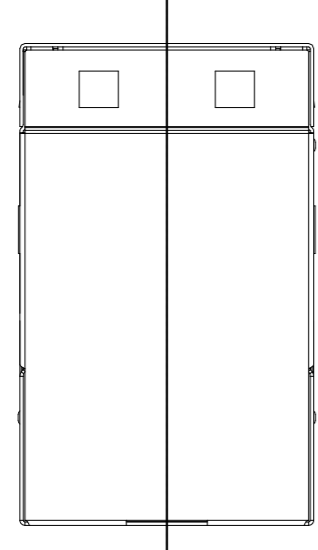
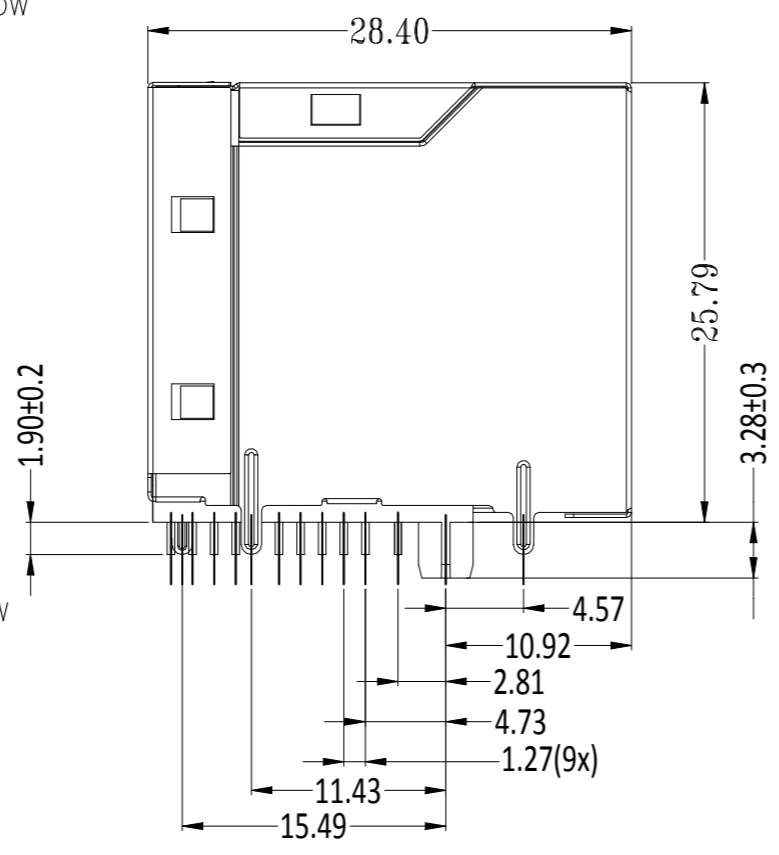
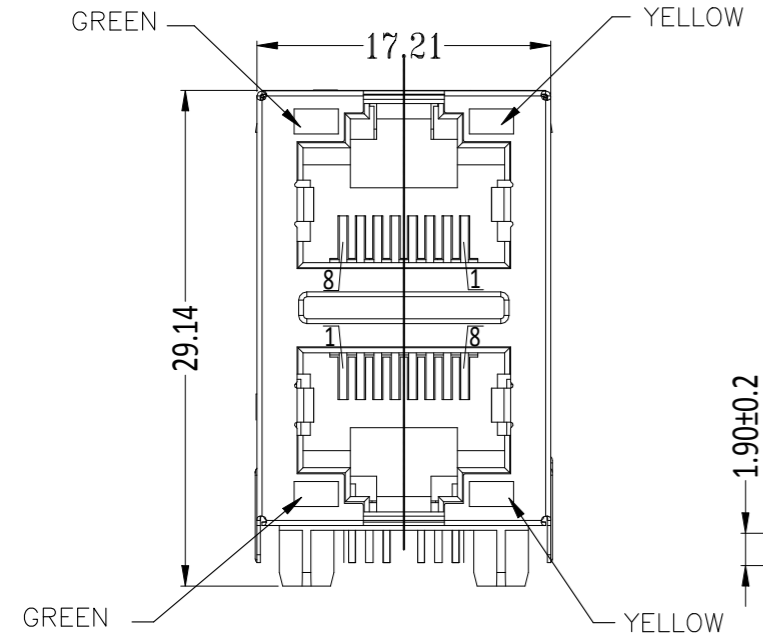
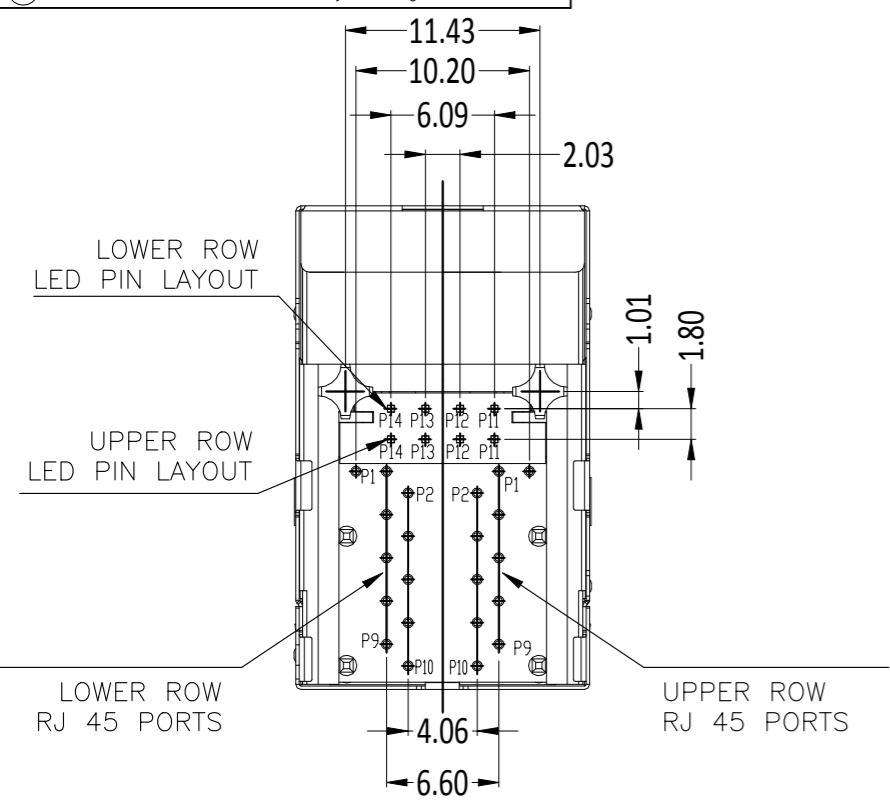


REVISIONS

P	LTR	DESCRIPTION	DATE	DWN	APVD
	B2	RETURN LOSS SPECIFICATION CORRECTED	02JUN2021	SS	OW



- 1 CONNECTOR MATERIAL:  
HOUSING: LCP BLACK UL94 V-0  
INSERT: LCP BLACK UL94 V-0  
SHIELD: BRASS  
SHIELD PLATING: NICKEL  
CONTACT: COPPER ALLOY  
CONTACT PLATING: SELECTIVE GOLD, MIN. 0.76µm (30µinch) IN CONTACT AREA  
OVER MIN. 1.27µm (50µinch) NICKEL  
SOLDER PIN PLATING: 3.05µm (120µinch) TIN OVER 1.27µm (50µinch) NICKEL  
OVER ALL  
SHIELDING PIN PLATING: NICKEL
- 2 PIN NOT ELECTRICALLY CONNECTED MAYBE OMITTED SEE ELECTRICAL CIRCUIT DIAGRAM FOR OMITTED PINS
- 3 RJ45 CAVITY DIMENSION CONFORM TO FCC PART 68
- 4 THE PART IS RECOMMENDED FOR REFLOW SOLDERING PROCESS PEAK  
SOLDERING: TEMPERATURE MAX. +260°C, MAX. 10s
- 5 OPERATING TEMPERATURE: T= -40°C TO +85°C
- 6 STORAGE TEMPERATURE: T= -40°C TO +85°C
- 7 UNLESS OTHERWISE SPECIFIED, SEE TABLE FOR ALL DIMENSIONS TOLERANCES
- 8 JACK CONFIGURATION: 2 x 1  
TAB DIRECTION: UP/DOWN
- 9 AUTOMATED PLACEMENT: FOR FORCE-FREE ASSEMBLY WITHOUT THE ALIGNMENT FUNCTION WIDEN TO MIN. 3.40 mm DIAMETER
- 10 PACKAGING: TRAY ACCORDING TO PACKAGING SPECIFICATION 107-18116

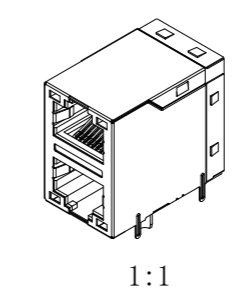
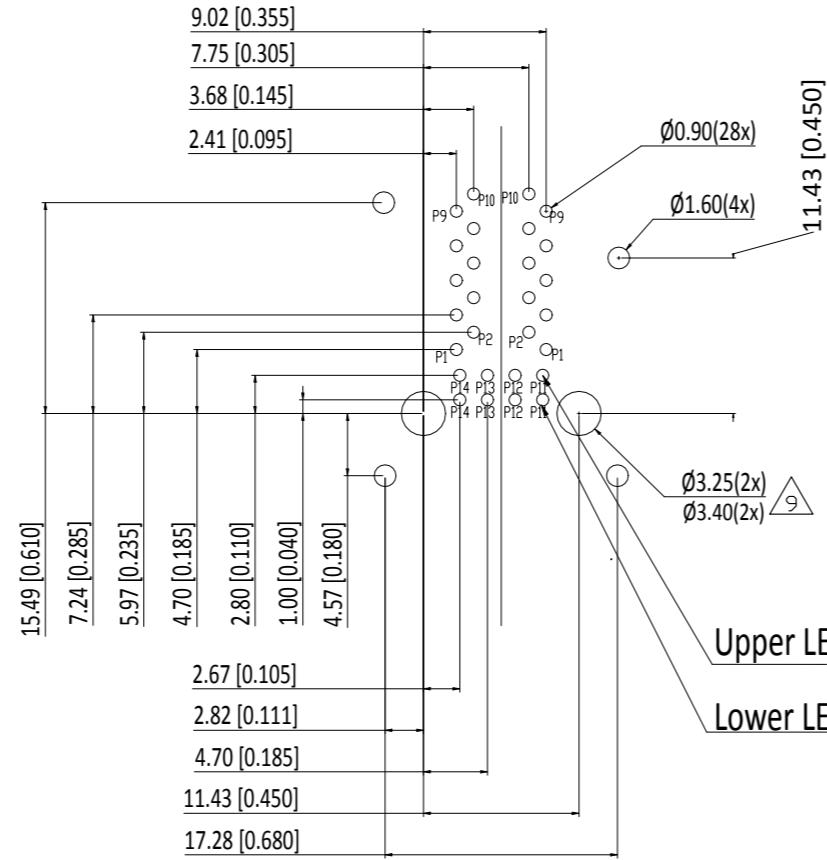


TABLE OF TOLERANCE (mm)	
RANGE	TOLERANCE
0-10	±0.15
>10-40	±0.25
>40-70	±0.30
>70	±0.40

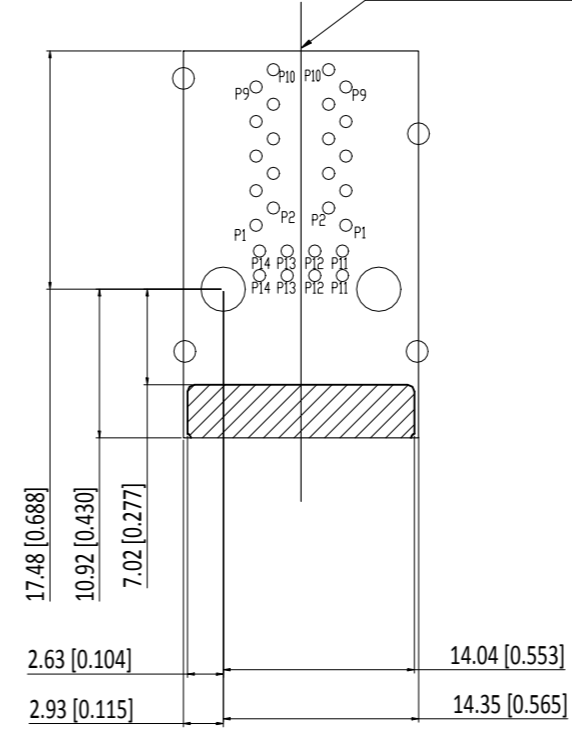
THIS DRAWING IS A CONTROLLED DOCUMENT.		DWN GANESH C M 10NOV2016	<b>STE</b> TE Connectivity Ltd.															
DIMENSIONS: mm [INCHES]		CHK FRANZ MUELLER 10NOV2016																
TOLERANCES UNLESS OTHERWISE SPECIFIED:		APVD MARTIN SZELAG 10NOV2016	NAME RJ45 JACK INT.MAG. 1Gb LED 2x1															
<table border="0"> <tr><td>0 PLC</td><td>± -</td><td rowspan="5">7</td></tr> <tr><td>1 PLC</td><td>± -</td></tr> <tr><td>2 PLC</td><td>± -</td></tr> <tr><td>3 PLC</td><td>± -</td></tr> <tr><td>4 PLC</td><td>± -</td></tr> <tr><td>ANGLES</td><td>± -</td><td></td></tr> </table>		0 PLC	± -	7	1 PLC	± -	2 PLC	± -	3 PLC	± -	4 PLC	± -	ANGLES	± -		PRODUCT SPEC 108-94552	SIZE CAGE CODE DRAWING NO RESTRICTED TO	
0 PLC	± -	7																
1 PLC	± -																	
2 PLC	± -																	
3 PLC	± -																	
4 PLC	± -																	
ANGLES	± -																	
MATERIAL 1		FINISH 1	114-94447															
		WEIGHT -	A3 00779 C-2301997-7															
		CUSTOMER DRAWING		SCALE 3:1 SHEET 1 OF 3 REV B2														

P	LTR	DESCRIPTION	DATE	DWN	APVD
-	-	SEE SHEET 1	-	-	-

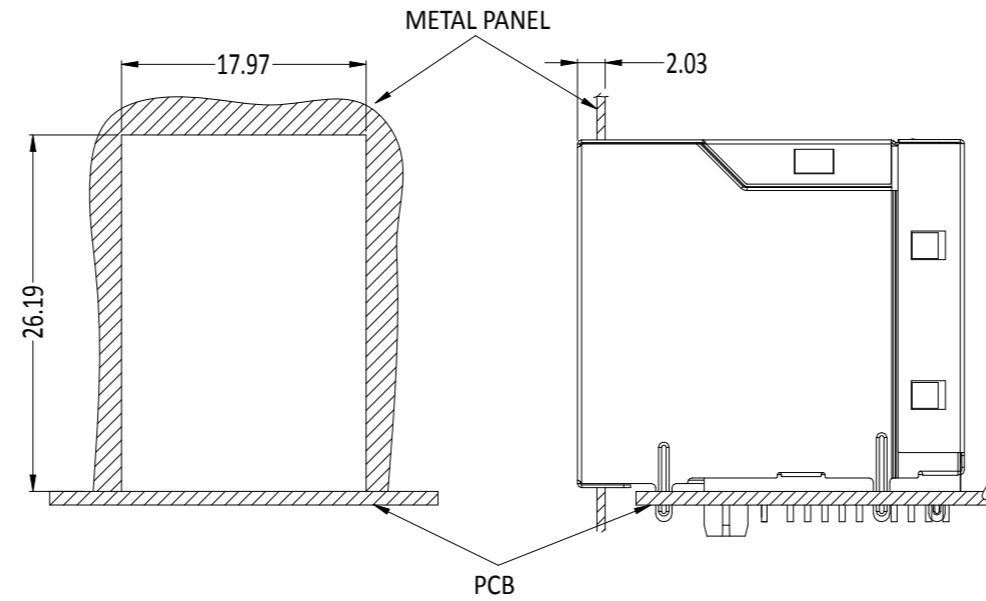
SUGGESTED PCB LAYOUT


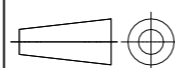


Connector Boundary



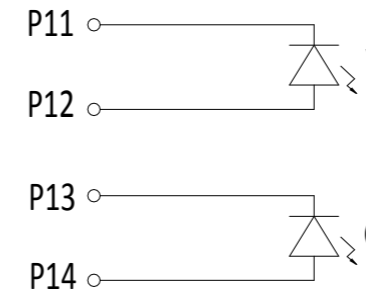
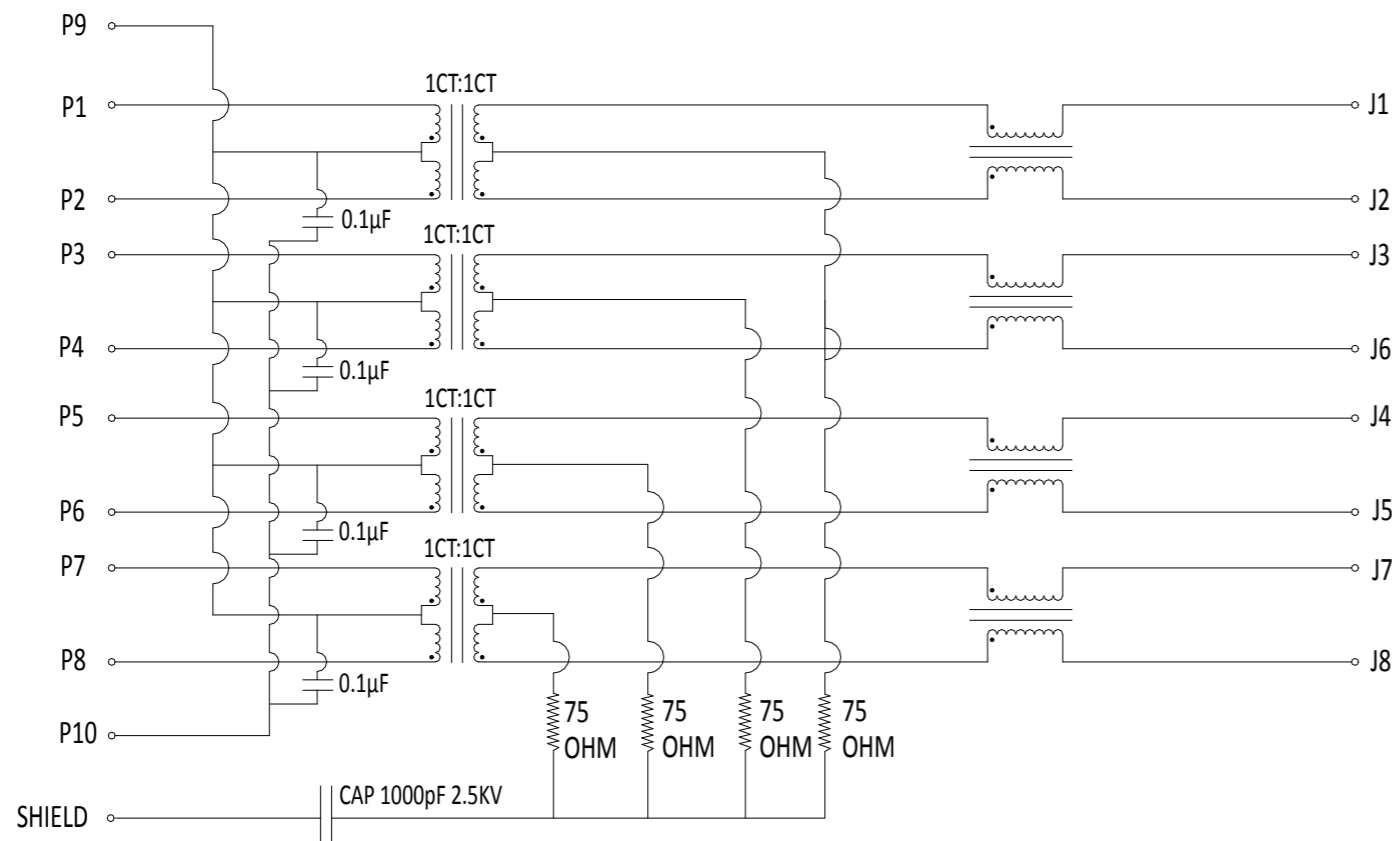
UNIT: mm / inch  
TOLERANCES: ±0.10 / 0.004  
ONLY FOR THIS VIEW



THIS DRAWING IS A CONTROLLED DOCUMENT.		DWN GANESH C M 10NOV2016	 TE Connectivity Ltd.	
DIMENSIONS: mm [INCHES]		CHK FRANZ MUELLER 10NOV2016		
TOLERANCES UNLESS OTHERWISE SPECIFIED:		APVD MARTIN SZELAG 10NOV2016	NAME RJ45 JACK INT.MAG. 1Gb LED 2x1	
0 PLC ± - 1 PLC ± - 2 PLC ± - 3 PLC ± - 4 PLC ± - ANGLES ± -		PRODUCT SPEC 108-94552	RESTRICTED TO	
		APPLICATION SPEC 114-94447	SIZE A3	CAGE CODE 00779
MATERIAL 1		FINISH 1	DRAWING NO C-2301997-7	SCALE 3:1
		WEIGHT -	SHEET 2 of 3	REV B2
CUSTOMER DRAWING				

P	LTR	DESCRIPTION	DATE	DWN	APVD
-	-	SEE SHEET 1	-	-	-

### ELECTRICAL CIRCUIT DIAGRAM



Pin	Yellow	Pin	Green
P11	-	P13	-
P12	+	P14	+

VF = 2.2 V (max. 2.5 V) @IF = 20 mA

- TURN RATIO @100kHz: (P1~P2):(J1~J2) = 1:1±2%  
(P3~P4):(J3~J6) = 1:1±2%  
(P5~P6):(J4~J5) = 1:1±2%  
(P7~P8):(J7~J8) = 1:1±2%
- PRIMARY INDUCTANCE: 350µH MIN @100kHz,0.1V 8mA DC BIAS
- DC RESISTANCE: 1.2 OHMS MAX
- INSERTION LOSS: 1-100MHz -1.0dB MAX  
100-125MHz -1.2dB MAX.
- RETURN LOSS: 1-40MHz -16dB MIN.  
40-100MHz -10dB+20log(f/80MHz) MIN.
- CROSS TALK: 1-100MHz -30dB MIN.
- COMMON TO COMMON MODE ATTENUATION: 1-100MHz -30dB MIN.
- ISOLATION: PHY SIDE TO LINE SIDE: 2250VDC



CONTROL CODE  
DATE CODE  
"0213"  
YY-YEAR  
WW-WEEK

THIS DRAWING IS A CONTROLLED DOCUMENT.		DWN GANESH C M 10NOV2016	TE Connectivity Ltd.															
DIMENSIONS: mm [INCHES]		CHK FRANZ MUELLER 10NOV2016																
TOLERANCES UNLESS OTHERWISE SPECIFIED:		APVD MARTIN SZELAG 10NOV2016	NAME RJ45 JACK INT.MAG. 1Gb LED 2x1															
<table border="0"> <tr><td>0 PLC</td><td>± -</td><td rowspan="5">7</td></tr> <tr><td>1 PLC</td><td>± -</td></tr> <tr><td>2 PLC</td><td>± -</td></tr> <tr><td>3 PLC</td><td>± -</td></tr> <tr><td>4 PLC</td><td>± -</td></tr> <tr><td>ANGLES</td><td>± -</td><td></td></tr> </table>		0 PLC	± -	7	1 PLC	± -	2 PLC	± -	3 PLC	± -	4 PLC	± -	ANGLES	± -		PRODUCT SPEC 108-94552	RESTRICTED TO	
0 PLC	± -	7																
1 PLC	± -																	
2 PLC	± -																	
3 PLC	± -																	
4 PLC	± -																	
ANGLES	± -																	
MATERIAL		APPLICATION SPEC 114-94447	SIZE A3	CAGE CODE 00779														
FINISH		WEIGHT -	DRAWING NO C-2301997-7	REV B2														
CUSTOMER DRAWING			SCALE 3:1	SHEET 3 OF 3														