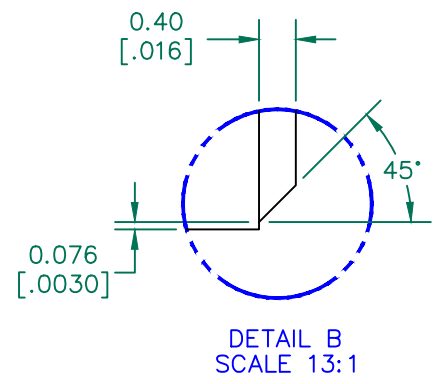
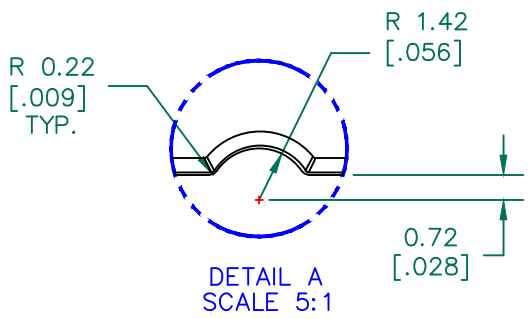
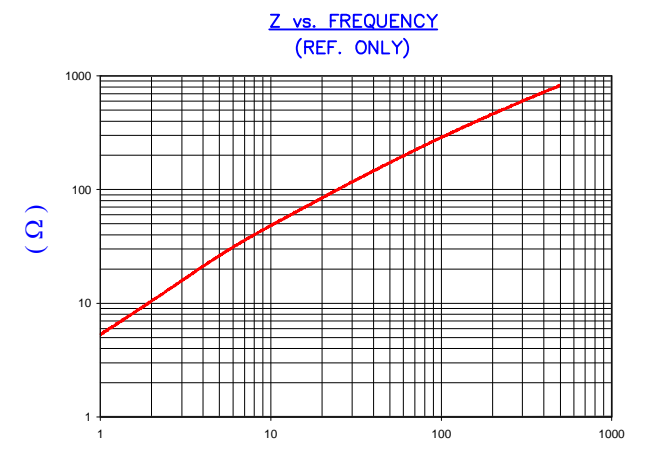


IMPEDANCE (Z)			
Frequency	25 MHz	100 MHz	300 MHz
Nominal (REF)	100 Ω	280 Ω	600 Ω
Minimum	- Ω	224 Ω	- Ω



FREQUENCY (MHz)
 AGILENT E4991A Impedance/Material Analyzer
 HP 16092A-Test Fixture

FERRITE CORE DIMENSIONS (SPEC): mm [in]

A	76.20 [3.000]	+	1.52 [.060]
B	65.28 [2.570]	+	1.27 [.050]
C	28.58 [1.125]	+	0.64 [.025]
D	6.35 [.250]	+	0.25 [.010]
E	0.84 [.033]	+	0.25 [.010]
F	7.62 [.300]	+	0.18 [.007]

WEIGHT/1000 52.16 kgs 115 Lbs

NOTES: UNLESS OTHERWISE SPECIFIED

1. COSMETIC SPECIFICATION REFER TO WI-QA-038.



DIMENSIONS ARE IN mm[INCHES].				This print is the property of Laird Tech. and is loaned in confidence subject to return upon request and with the understanding that no copies shall be made without the written consent of Laird Tech. All rights to design or invention are reserved.		Laird			
K	UPDATE LOGO	08/29/16	QIU	PROJECT/PART NUMBER: 28S2011-000		REV	K	PART TYPE: FERRITE SPLIT RIBBON	DRAWN BY: DJB
J	UPDATE FORMAT & Z SPECS ADD CURVE	07/08/03	JRK						
H	CHG DIM IN DETAIL A FROM .74 TO .72	07/13/01	JRK						
G	REMOVED DIM "G". ADD DETAILS A & B REVISED DIMENSION "D" & WEIGHT/K	02/13/01	TMB						
F	CHG. DIM. "D" TO MATCH CATALOG	12/16/97	BAC						
E	CORRECT DIM 'D', ADD DIM 'F'	08/18/97	BAC	DATE:	08/07/90	SCALE:	1.5 : 1	SHEET:	
D	CHANGED DIM "E"	03/22/96	BAC	CAD #	28S2011-100-K	TOOL #	S2011	FERRITE	
C	UPDATE PRINT FOR NEW CATALOG	09/27/95	JBE						
REV	DESCRIPTION	DATE	INT						