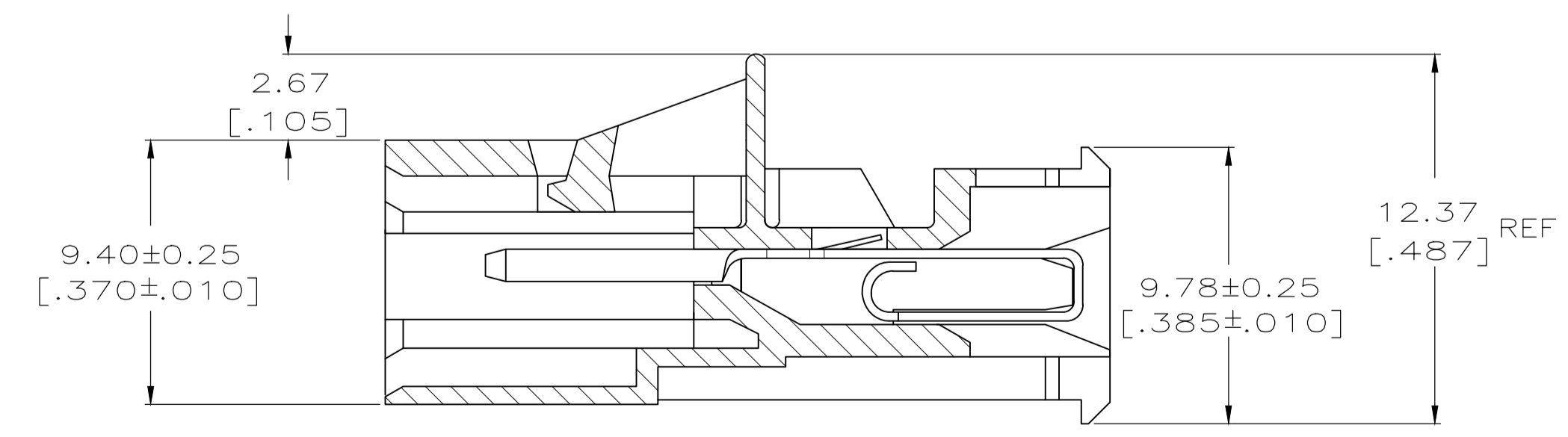
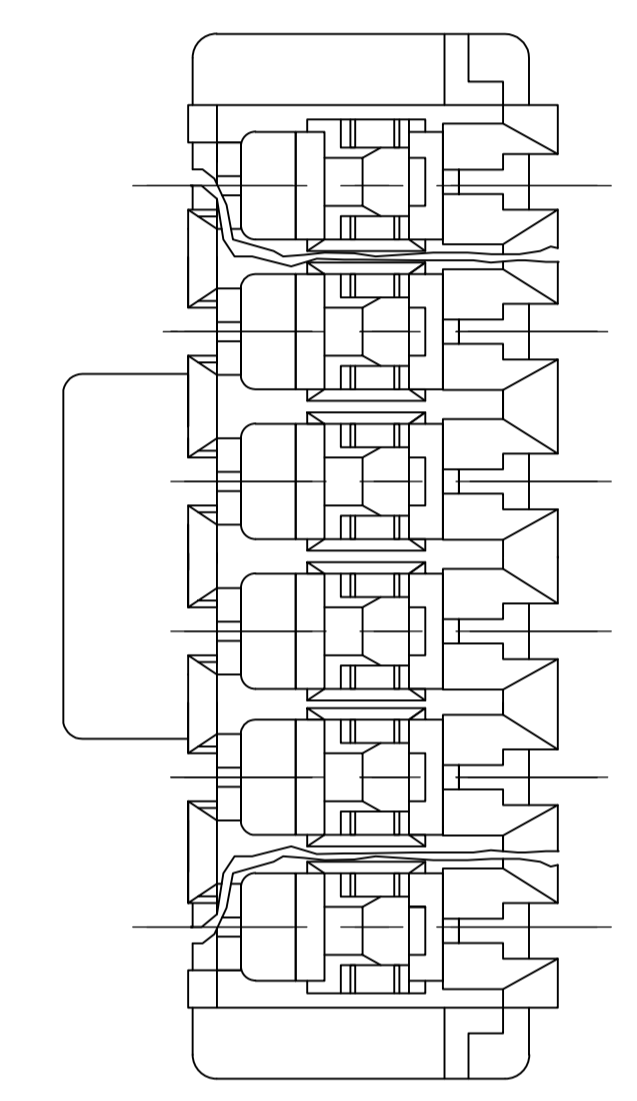
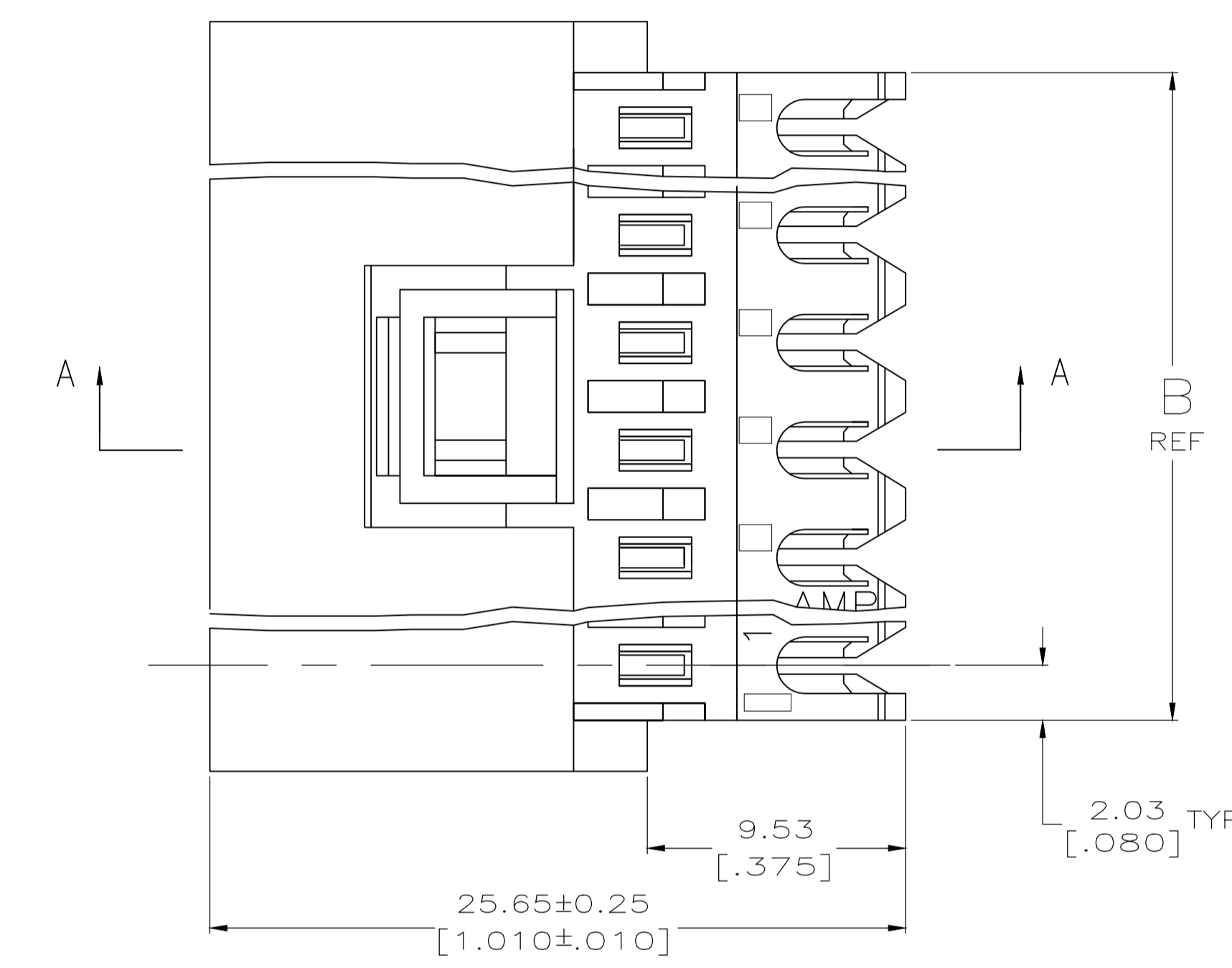
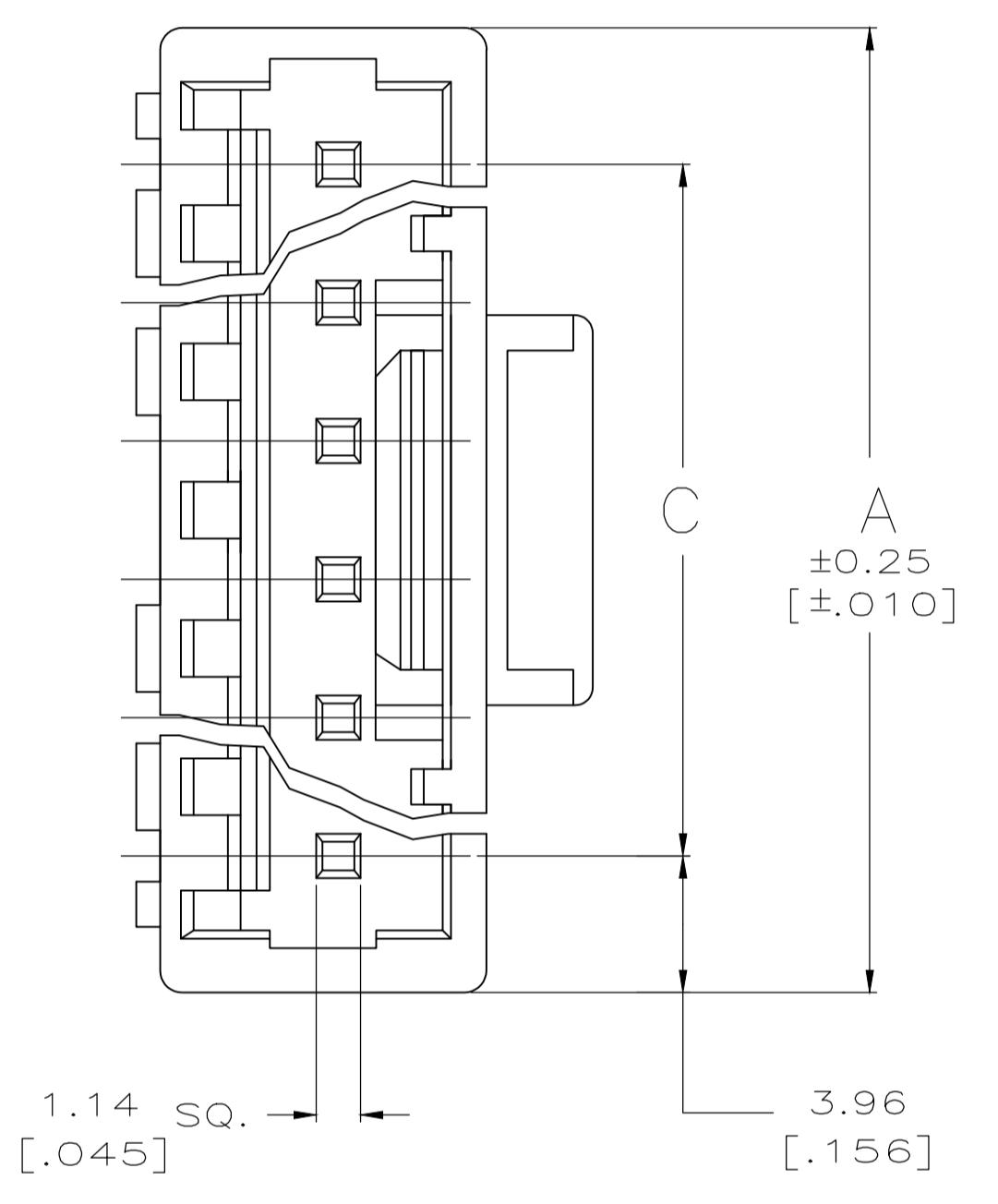


LOC		DIST		REVISIONS			
P	LTR	DESCRIPTION	DATE	DMN	APVD		
G		REVISED PER ECR-20-000808	26MAY2020	PC	SW		

- MATERIAL: CONNECTOR- NYLON UL94V-2 (ORANGE).
 CONTACTS - 0.30 [.012] THK COPPER ALLOY
 (PLATED 0.00038 [.000015] MIN GOLD OR 0.00008 [.000003] MIN GOLD FLASH OVER 0.00030 [.000012] PALLADIUM NICKEL, PER TE CONNECTIVITY'S DISCRETION, ON POST END, WITH MATTE TIN 0.00203 [.000080] MIN THK ON WIRE END)
 OR
 CONTACTS - 0.30 [.012] THK COPPER ALLOY
 (PLATED 0.00038 [.000015] MIN GOLD OR 0.00008 [.000003] MIN GOLD FLASH OVER 0.00030 [.000012] PALLADIUM NICKEL, PER TE CONNECTIVITY'S DISCRETION, ON POST END, WITH MATTE TIN 0.00203 [.000080] MIN THK ON WIRE END)
 - CONTACTS ACCEPT #18 AWG SOLID, FUSED STRANDED OR STRANDED (7 STRANDS) WIRE WITH 2.41 [.095] MAX INSULATION DIA.
 - BOW, IN ANY DIRECTION, NOT TO EXCEED 0.15 [.006] PER IN.
 - HOUSING FEATURES: FEED-THRU.
 - DIMENSIONS IN BRACKETS ARE IN INCHES.
- △ OBSOLETE PARTS: OBSOLETE CIS STREAMLINING PER D.RENAUD/D.SINISI



SECTION A-A

FINISH	C	B	A	NO. OF CIRCUITS	PART NUMBER	
TIN	55.47 [2.184] 43.59 [1.716] 31.70 [1.248] 19.81 [.780] 11.89 [.468] 7.92 [.312] 3.96 [.156]	59.54 [2.344] 47.65 [1.876] 35.76 [1.408] 23.88 [.940] 15.95 [.628] 11.99 [.472] 8.03 [.316]	63.40 [2.496] 51.51 [2.028] 39.62 [1.560] 27.74 [1.092] 19.81 [.780] 15.85 [.624] 11.89 [.468]	15 12 9 6 4 3 2	4-647481-5 4-647481-2 3-647481-9 3-647481-6 3-647481-4 3-647481-3 3-647481-2	
△ SUPERSEDED	TIN-LEAD	55.47 [2.184] 43.59 [1.716] 31.70 [1.248] 19.81 [.780] 11.89 [.468] 7.92 [.312] 3.96 [.156]	59.54 [2.344] 47.65 [1.876] 35.76 [1.408] 23.88 [.940] 15.95 [.628] 11.99 [.472] 8.03 [.316]	63.40 [2.496] 51.51 [2.028] 39.62 [1.560] 27.74 [1.092] 19.81 [.780] 15.85 [.624] 11.89 [.468]	15 12 9 6 4 3 2	1-647481-5 1-647481-2 647481-9 647481-6 647481-4 647481-3 647481-2
OBSOLETE	TIN-LEAD	55.47 [2.184] 43.59 [1.716] 31.70 [1.248] 19.81 [.780] 11.89 [.468] 7.92 [.312] 3.96 [.156]	59.54 [2.344] 47.65 [1.876] 35.76 [1.408] 23.88 [.940] 15.95 [.628] 11.99 [.472] 8.03 [.316]	63.40 [2.496] 51.51 [2.028] 39.62 [1.560] 27.74 [1.092] 19.81 [.780] 15.85 [.624] 11.89 [.468]	15 12 9 6 4 3 2	1-647481-5 1-647481-2 647481-9 647481-6 647481-4 647481-3 647481-2

THIS DRAWING IS A CONTROLLED DOCUMENT.

DIMENSIONS: mm [INCHES]	TOLERANCES UNLESS OTHERWISE SPECIFIED:	DIN K. WHITAKER 09-NOV-2000	APVD	NAME
0 PLC ± -	1 PLC ± -	09-NOV-2000		TE Connectivity
2 PLC ± 0.13 [.005]	3 PLC ± -			MTA-156
4 PLC ± -	ANGLES ± -			POSTED CONNECTOR ASSEMBLY, 18 AWG
MATERIAL SEE NOTE 1	FINISH SEE NOTE 1	WEIGHT	SIZE	CAGE CODE
			A1	00779
			SCALE	SHEET
			5:1	1 of 1

CUSTOMER DRAWING