

**Ratings**

Temperature: -40~70 °C  
Voltage: 150 V

**Conductor**

Gauge: 22 AWG 0.33 mm<sup>2</sup>  
Material: tinned copper strands  
Strand size:  $\varnothing 0.08 \times 65$   
Resistance at 20 °C: 59.4  $\Omega$  /km max

**Insulator**

Material: HDPE  
Color: orange, green, blue, yellow, white, black, red  
Diameter:  $\varnothing 1.25 \pm 0.10$  mm  
Nominal thickness: 0.25 mm  
Resistance at 20 °C: 100 M $\Omega$  /km min

**Shield**

Type: spiral  
Material: tinned copper strands  
Stranding:  $\varnothing 0.08$  mm  
Coverage: 90 % min

**Outer jacket**

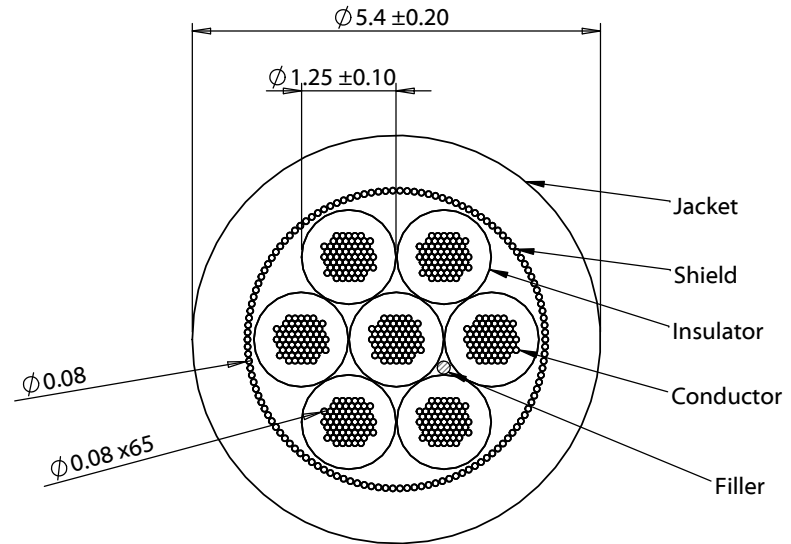
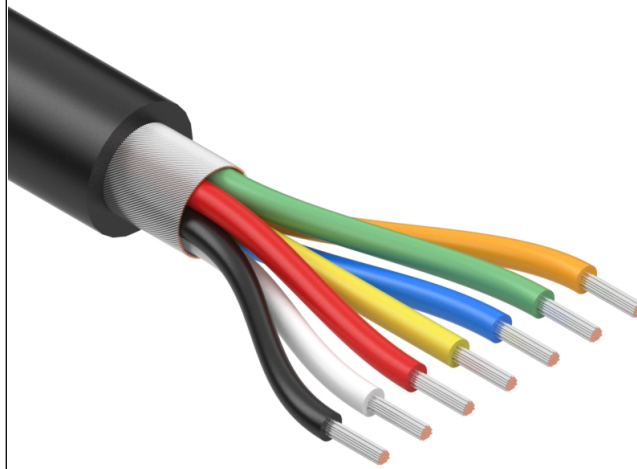
Material: TPU  
Color: black  
Nominal thickness: 0.74 mm  
Diameter:  $\varnothing 5.4 \pm 0.20$  mm

**Filler**

Material: aramid fiber

**Tests**

Tensile strength: 35.7 kgf min  
Dielectric test: 1500 V dc for 1 minute without breakdown  
Bend test at 200 g,  $\pm 90^\circ$ , 30 cycles /min: 15,000 cycle minimum



Revision:	Date:	Description:	Prepared:	Notes: RoHS compliant Jacket meets ISO 10993 Biological Compatibility Phthalate and halogen free Function test: no open, no short, no intermittent	<h1>TENSILITY</h1> <p>tel 1.541.323.3228 800 877.670.7118 fax 1.541.323.4202 web tensility.com</p>		
A	3/23/2021	Initial release	Verified:				
			Dimensions are in millimeters. Tolerances: X: $\pm 0.5$ mm X.X: $\pm 0.3$ mm X.XX: $\pm 0.05$ mm	Description:	Size: A	Part number: 30-01875	
				Wire, 7C TS, 22 AWG, 150V, 70C, 5.4 mm, shielded, TPU, 75A, WBL	Scale: 10:1		

5

4

3

2

1