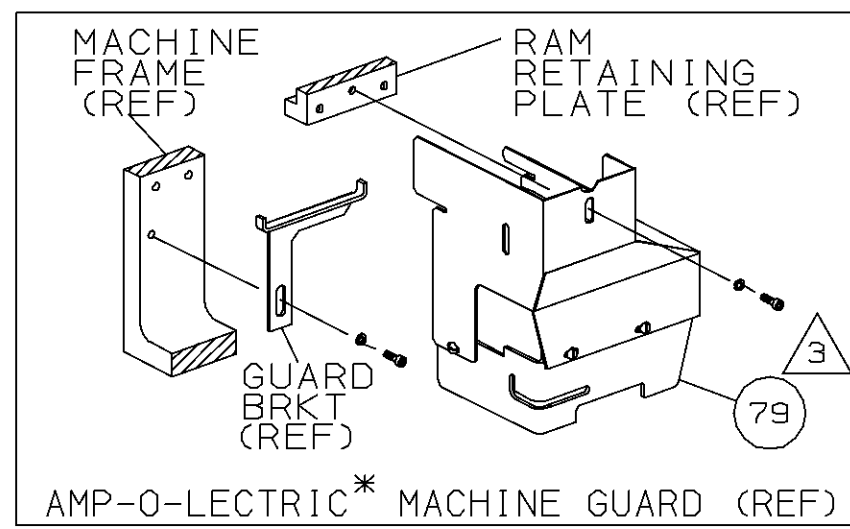
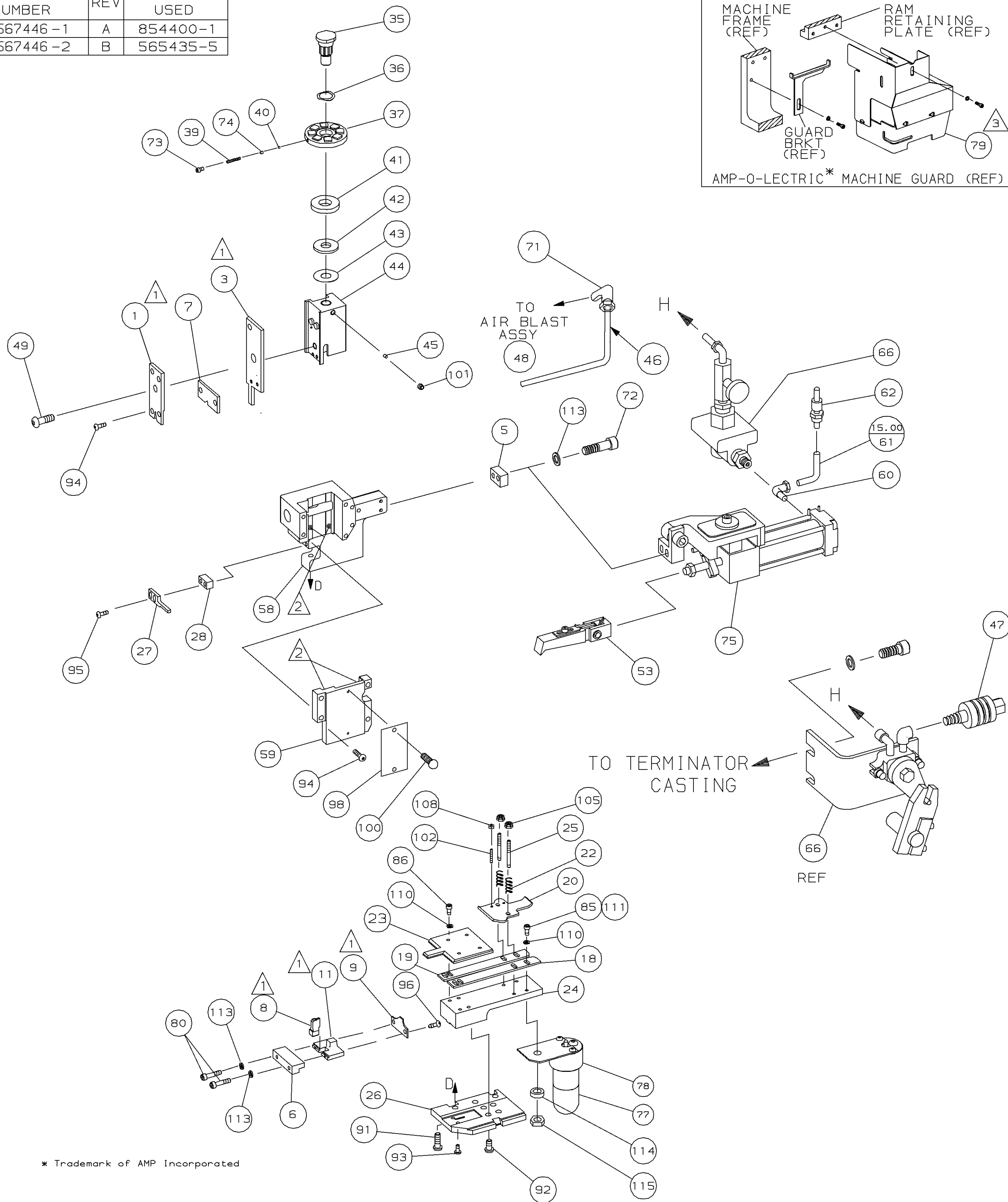


PART NUMBER	REV	FIRST USED
567446-1	A	854400-1
567446-2	B	565435-5



TERMINAL NAME:		62307	
AMP-LECTRIC			

CRIMPING DATA			
PAD LTR	CRIMP HEIGHT	WIRE SIZE CMA	
A	.072	4400-5000 (13½)	
B	.067	3400-4200 (14)	
C	.062	2400-3200 (16)	
D	.057	1400-2200 (18)	
CRIMP	SIZE	TYPE	RANGE
WIRE	.110	F	1400-5000 CMA
INSUL	-	-	-
FEED .315	APPL INST AI 8039	SET UP GAGE -	LAYOUT -
WIRE STRIP LENGTH			
-1	LEADMAKER	AIRFEED	
-2	AMP-O-LECTRIC	AIRFEED	



* Trademark of AMP Incorporated

- ① RECOMMENDED SPARE PARTS.
- ② GREASE LIGHTLY.
- ③ GUARD MUST BE IN PLACE WHEN OPERATING APPLICATOR IN AMP-O-LECTRIC MACHINE.
- ④ SEE DRAWING FOR COMPONENTS

1	-	-	A	21018-6	NUT, HEX, #8	115
1	-	-	A	21055-6	WASHER, FLAT, #8	114
4	4	-	A	22260-5	WASHER, LOCK (NO. 6) RET PL	113
1	-	-	A	2-21000-9	SCR, SHC (8-32 X .35) STRIP GUIDE	111
4	4	-	A	21024-4	WASHER, LOCK (NO. 8) SHEAR BL	110
2	2	-	A	21018-4	NUT, HEX (4-40) DRAG	108
2	2	-	A	21022-2	NUT, HEX SL (8-32) DRAG STUD	105
2	2	-	A	4-21078-8	SKT SKT SET (4-40x.75) DRAG	102
1	1	-	A	21009-2	SCR, SKT SET (1/4-20x.25) RAM	101
2	2	-	A	21017-2	SCR, DRIVE (#2x.19) ID PLATE	100
1	1	-	B	461264-1	PLATE, IDENTIFICATION	98
2	2	-	A	1-21002-6	SCR, BHC (6-32x.25) GUIDE PLATE	96
2	2	-	A	8-21002-9	SCR, BHC (8-32x1.00) STRIPPER	95
6	6	-	A	2-21002-9	SCR, BHC (10-32x.75) CAP	94
2	2	-	A	2-22733-0	SCR, BHC (10-32x.38 LW) ANVIL	93
4	4	-	A	3-21002-3	SCR, BHC (1/4-20x.50) ST GD PL	92
3	3	-	A	2-22733-8	SCR, BHC (1/4-20x.62) H5G	91
2	2	-	A	1-21000-9	SCR, SKT CAP (6-32x.38) PLATE RET	80
1	-	-	D	460980-2	GUARD ASSY	79
1	-	-	C	1-465184-7	LUBRICATOR ASSY	78
REF	REF	-	B	852931-2	CRIMPER LUBRICANT	77
1	1	-	B	460277-1	AIR FEED ASSY	75
1	1	-	A	690603-1	SPRING, ASSIST	74
1	1	-	A	23030-1	SCR, SKT CAP (6-32x.25) CP DSC	73
2	2	-	A	4-21000-3	SCR, SHC (10-32X2.00) AIR FD	72
1	1	-	A	22317-3	ELBOW, COPPER TUBE	71

QTY	REQD	PER	ASSY	U/M	DWG	SIZE	PART NO	DESCRIPTION	ITEM NO
-2	-1	U/M							

1	-	-	B	692655-1	VALVE ASSY	66
1	-	-	A	23238-1	QUICK DISCONNECT	62
1	15.00	IN	A	27319-4	TUBING, POLY-FLO 1/4 DIA	61
1	1	-	A	22294-6	ELBOW, TUBING 1/8NPT - 1/4 T	60
1	1	-	A	462926-1	CAP, RAM	59
1	1	-	D	453736-1	HOUSING	58
1	1	-	B	460680-7	FEED FINGER ASSY	53
1	1	-	A	7-21002-9	BOLT, CRIMPER (5/16-24x1.00)	49
1	-	-	C	455350-1	AIR BLAST ASSY	48
1	-	-	A	24042-2	VALVE, SHUT OFF	47
1	-	-	B	689446-2	TUBE, AIR BLAST	46
1	1	-	A	690191-1	PLUG, NYLON	45
1	1	-	C	459586-1	RAM	44
1	1	-	A	690125-1	WASHER, LAMINATED	43
1	1	-	A	690124-1	WASHER, RAM	42
1	1	-	C	690223-1	DISC, SPACER	41
1	1	-	A	23241-6	BALL, STEEL	40
1	1	-	A	690170-1	SPRING, COMPRESSION	39
1	1	-	D	690141-6	DISC, WIRE	37
1	1	-	A	22480-5	WASHER, SPRING	36
1	1	-	B	690212-1	POST, RAM	35
1	1	-	B	3-690451-9	SPACER, STRIPPER	28
1	1	-	B	460276-1	STRIPPER	27
1	1	-	D	459584-1	PLATE, BASE	26
2	2	-	A	22354-8	DRAG, STUD	25
1	1	-	C	462931-1	PLATE, STRIP GUIDE	24
1	1	-	B	462932-1	PLATE, STRIP HOLD	23
2	2	-	A	4-22281-1	SPRING, DRAG	22
1	1	-	A	462925-1	DRAG, STOCK	20
1	1	-	B	462929-3	GUIDE, STRIP (REAR)	19
1	1	-	B	462930-3	GUIDE, STRIP (FRONT)	18
1	1	-	D	459583-3	BODY, ANVIL	11
1	1	-	B	459684-3	PLATE GUIDE, RETAINING	9
1	1	-	C	459582-4	ANVIL	8
1	1	-	B	459581-1	BLADE, SLUG	7
1	1	-	B	459580-1	PLATE, RET	6
1	1	-	A	461690-1	SPACER, AIR FEED	5
1	1	-	C	459585-1	CRIMPER, WIRE	1

QTY	REQD	PER	ASSY	U/M	DWG	SIZE	PART NO	DESCRIPTION	ITEM NO
-2	-1	U/M							

LOC A
DIST 66

DIMENSIONS IN INCHES. DO NOT SCALE PRINT. TOLERANCES UNLESS OTHERWISE SPECIFIED:

DR	2/28/92	APP	3-6-93	AMP Incorporated Harrisburg, PA 17105-3608
P. MATHIAS		B. WOLF		
CHK 3-3-92		REL 3-9-93		
C. ERISMAN		B. McPHERSON		

NAME: END FEED HDM APPLICATOR MACHINE REF: MINI APPL
SCALE: - DWG NO: 567446 SHEET: 1 OF 1 REV: B