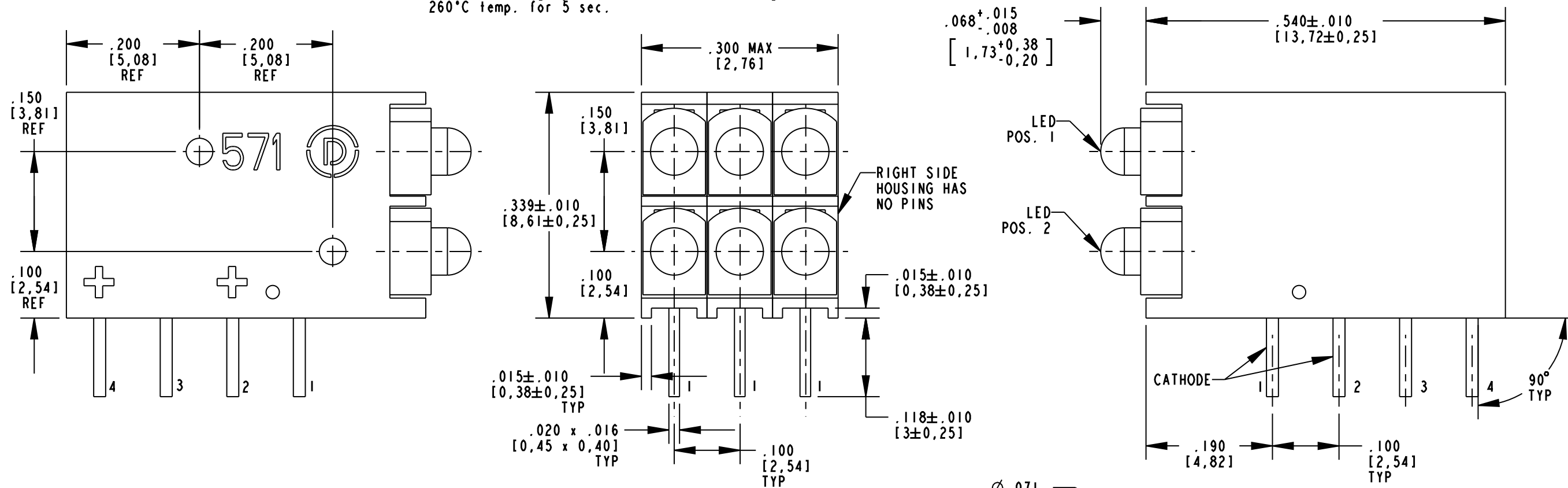


DIALIGHT PART NUMBER	LED COLOR	
	POS. 1	POS. 2
571-0133-811F	YELLOW	YELLOW

RoHS COMPLIANT 571-0133-811F  
 Part Numbers with the "F" suffix ending are RoHS Compliant. Packaging is marked with "RoHS Compliant" label or equivalent markings. Parts can be wave soldered, dip soldered or hand soldered using typical lead-free soldering process with max 260°C temp. for 5 sec.

REV	ECN NO	REVISIONS	DRN	CKD	APP	DATE
A		NEW RELEASE	AJF	KLJ	NO	10-27-09

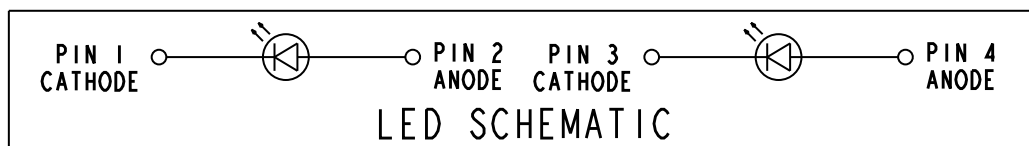
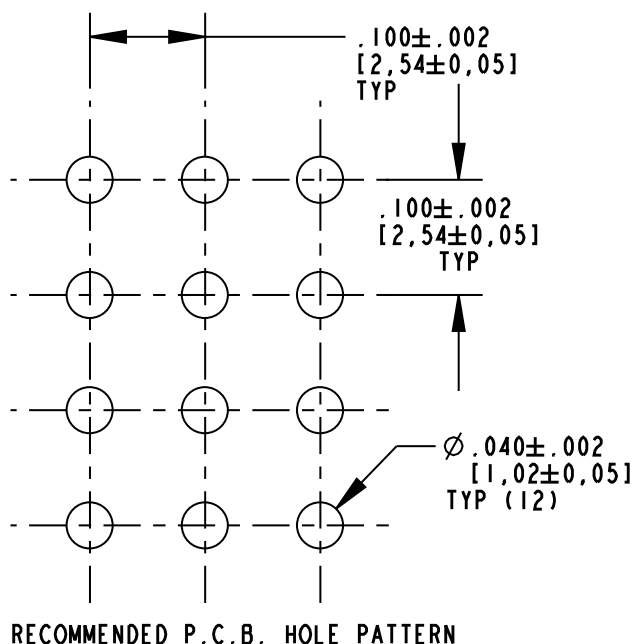


NOTES:

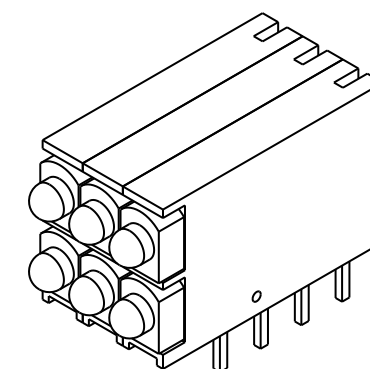
- LEADS TO FIT INTO HOLES SPACED AS PER PATTERN.
- LED LEAD DIMENSIONS SHOWN ARE MEASURED AT HOUSING EXIT.
- PIN NUMBERS FOR REFERENCE ONLY, DESIGNATION NON-EXISTENT ON PART.
- DIALIGHT PART NUMBER 571-0133-811F.
- THIS ASSEMBLY CONTAINS ELECTROSTATIC DISCHARGE SENSITIVE DEVICES (ESDS). MAINTAIN ALL PRECAUTIONARY MEASURES DURING ASSEMBLY, HANDLING AND STORAGE IN ACCORDANCE WITH IPC-A-610.

ABSOLUTE MAXIMUM RATINGS AT 25°C AMBIENT	YELLOW	UNITS
POWER DISSIPATION	105	mW
CONTINUOUS FORWARD CURRENT	30	mA
PEAK FORWARD CURRENT (1/10 DUTY CYCLE, 0.1 ms PULSE WIDTH)	140	mA
DERATING LINEAR FROM 25°C	0.4	mA/°C
REVERSE VOLTAGE	5	V
SOLDERING TEMPERATURE (.157" FROM BODY FOR 5 SEC.)	260	°C
OPERATING TEMPERATURE	-40 TO +85	°C
STORAGE TEMPERATURE	-40 TO +85	°C

OPERATING CHARACTERISTICS AT 25°C AMBIENT										
LED COLOR	PEAK WAVELENGTH (nm) TYP	DOMINANT WAVELENGTH (nm)			VIEWING ANGLE (°) 2 ° 1/2	LUMINOUS INTENSITY (mcd) @ If=10mA				REVERSE CURRENT (mA) MAX
		MIN	TYP	MAX		MIN	TYP	TYP	MAX	
YELLOW	590	—	588	—	70	5	8	2.1	2.5	10 @ Vr=5V



ATTENTION:  
OBSERVE PRECAUTIONS FOR  
HANDLING ELECTROSTATIC  
SENSITIVE DEVICES



SCALE 3.000

THIS DRAWING AND THE CONTENTS HEREIN ARE CONFIDENTIAL AND THE SOLE PROPERTY OF DIALIGHT. REPRODUCTION OF THIS DRAWING OR CONSTRUCTION OF ANY PARTS WITHIN THIS DRAWING ARE FORBIDDEN WITHOUT THE WRITTEN CONSENT OF DIALIGHT.

SCALE: 6.000 ALL DIM'S IN: INCHES (MM)	DRAWING NUMBER C-17784	REV A
TOLERANCES: UNLESS OTHERWISE SPECIFIED FRACTIONS: ±1/64 DECIMALS (.XX): ±.02 DECIMALS (.XXX): ±.015	TITLE 2mm CBI 2 x 3 ARRAY W/ WHITE HOUSING	MATERIAL
ANGLES: ±3° FINISH:	Dialight	1501 ROUTE 34 SOUTH FARMINGDALE, NJ 07727
FSCM 83330	SHEET 1 OF 1	FAMILY TABLE: