

# 74ALVCH16652

16-bit transceiver/register with dual enable; 3-state

Rev. 3 — 12 September 2018

Product data sheet

## 1. General description

The 74ALVCH16652 consists of 16 non-inverting bus transceiver circuits with 3-state outputs, D-type flip-flops and control circuitry arranged for multiplexed transmission of data directly from the data bus or from the internal storage registers.

Data on the 'A' or 'B', or both buses, will be stored in the internal registers, at the appropriate clock inputs (nCPAB or nCPBA) regardless of the select inputs (nSAB and nSBA) or output enable (nOEAB and nOEBA) control inputs.

Depending on the select inputs nSAB and nSBA data can directly go from input to output (real-time mode) or data can be controlled by the clock (storage mode), when OE inputs permit this operating mode.

The output enable inputs nOEAB and nOEBA determine the operation mode of the transceiver. When nOEAB is LOW, no data transmission from nBn to nAn is possible and when nOEBA is HIGH, no data transmission from nBn to nAn is possible.

When nSAB and nSBA are in the real-time transfer mode, it is also possible to store data without using the internal D-type flip-flops by simultaneously enabling nOEAB and nOEBA. In this configuration each output reinforces its input.

Active bus hold circuitry is provided to hold unused or floating data inputs at a valid logic level.

## 2. Features and benefits

- Wide supply voltage range of 1.2 V to 3.6 V
- CMOS low power consumption
- Direct interface with TTL levels
- Current drive  $\pm 24$  mA at  $V_{CC} = 3.0$  V.
- MULTIBYTE flow-through standard pin-out architecture
- Low inductance multiple  $V_{CC}$  and GND pins for minimum noise and ground bounce
- All data inputs have bushold
- Output drive capability 50  $\Omega$  transmission lines at 85 °C
- Complies with JEDEC standards:
  - JESD8-5 (2.3 V to 2.7 V)
  - JESD8B/JESD36 (2.7 V to 3.6 V)
- ESD protection:
  - HBM ANSI/ESDA/JEDEC JS-001 exceeds 2000 V
  - CDM JESD22-C101E exceeds 1000 V

## 3. Ordering information

Table 1. Ordering information

Type number	Package			Version
	Temperature range	Name	Description	
74ALVCH16652DGG	-40 °C to +85 °C	TSSOP56	plastic thin shrink small outline package; 56 leads; body width 6.1 mm	SOT364-1

### 4. Functional diagram

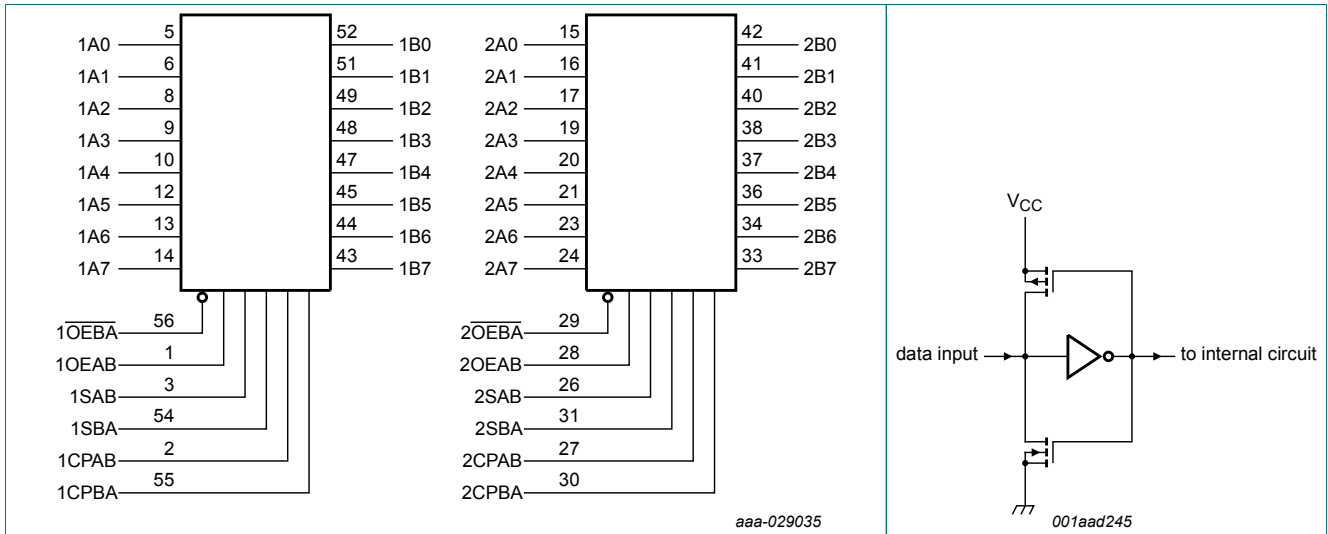


Fig. 1. Logic symbol

Fig. 2. Bus hold circuit

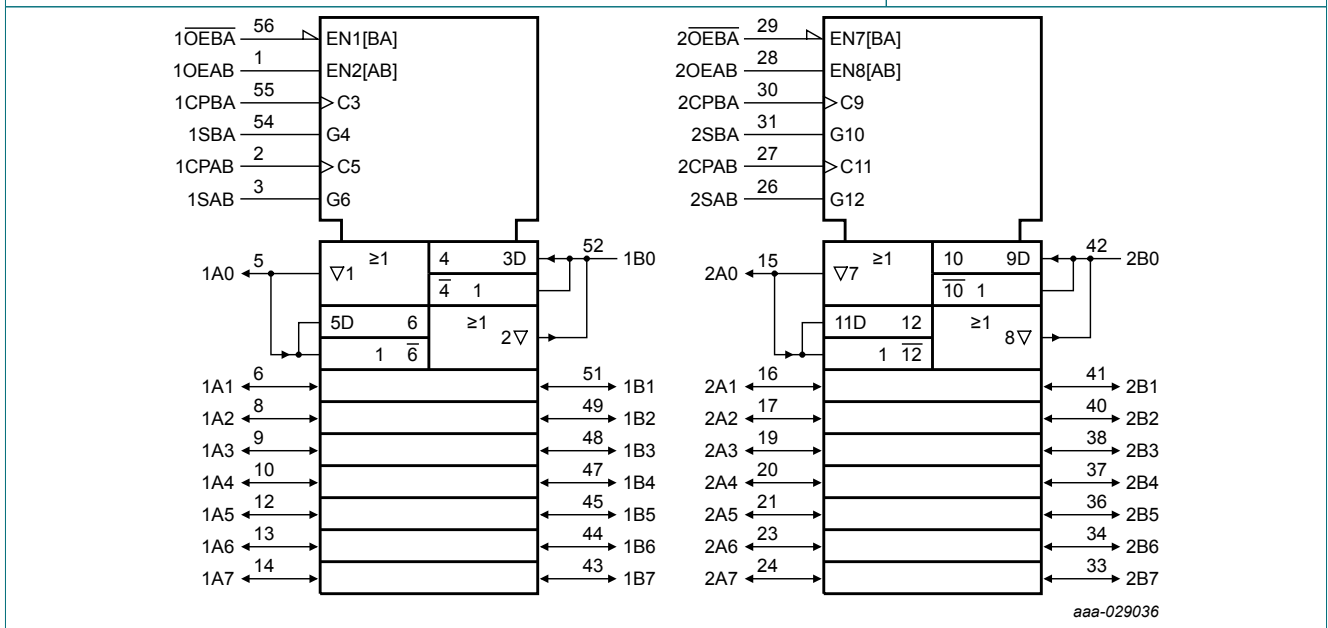


Fig. 3. IEC logic symbol

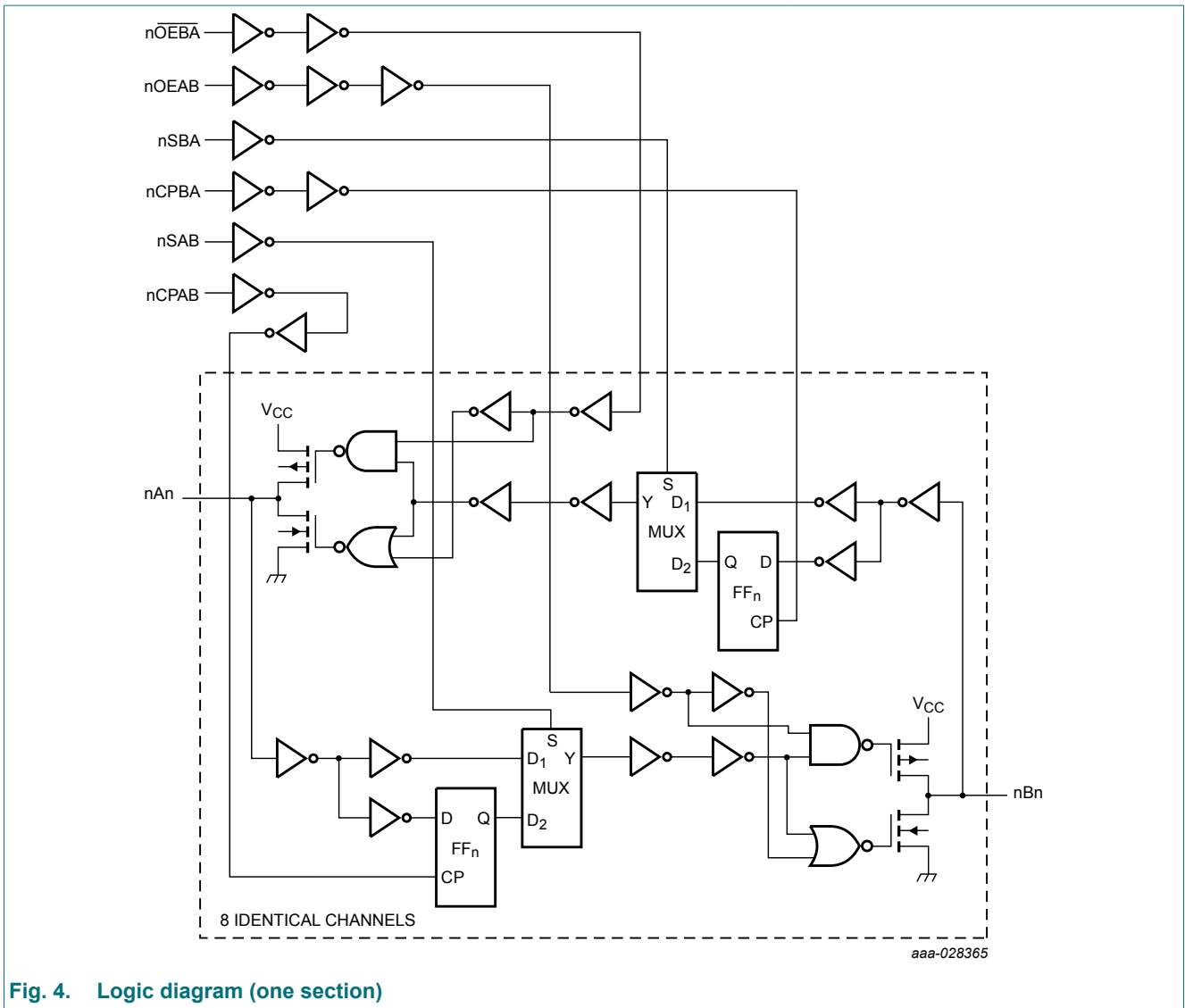


Fig. 4. Logic diagram (one section)

## 5. Pinning information

### 5.1. Pinning

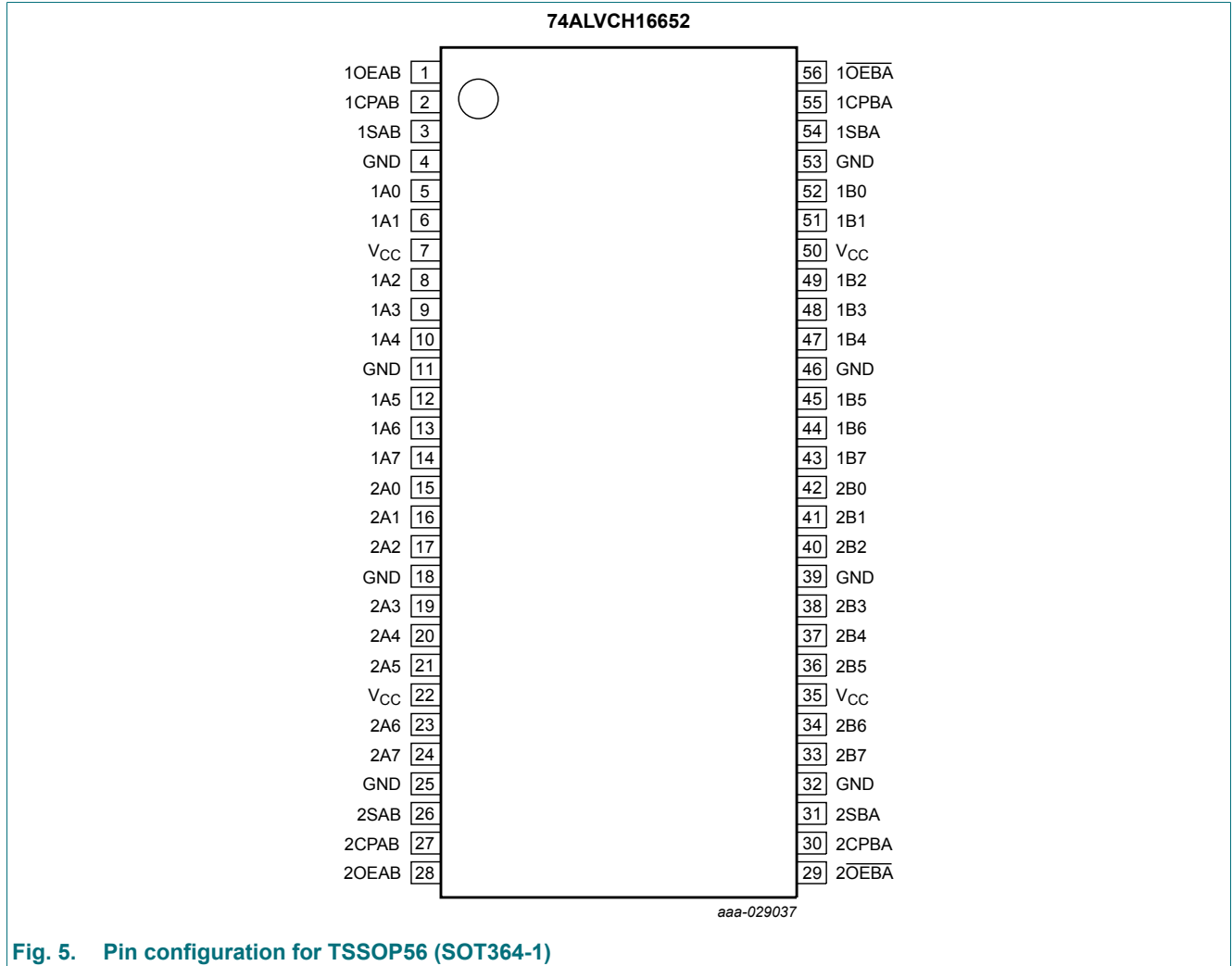


Fig. 5. Pin configuration for TSSOP56 (SOT364-1)

## 5.2. Pin description

Table 2. Pin description

Symbol	Pin	Description
1A0, 1A1, 1A2, 1A3, 1A4, 1A5, 1A6, 1A7	5, 6, 8, 9, 10, 12, 13, 14	data input/output
2A0, 2A1, 2A2, 2A3, 2A4, 2A5, 2A6, 2A7	15, 16, 17, 19, 20, 21, 23, 24	data input/output
1B0, 1B1, 1B2, 1B3, 1B4, 1B5, 1B6, 1B7	52, 51, 49, 48, 47, 45, 44, 43	data output/input
2B0, 2B1, 2B2, 2B3, 2B4, 2B5, 2B6, 2B7	42, 41, 40, 38, 37, 36, 34, 33	data output/input
1OEBA, 2OEBA	56, 29	output enable inputs (active-LOW)
1OEAB, 2OEAB	1, 28	output enable inputs (active-HIGH)
1SAB, 2SAB	3, 26	select input A-to-B
1CPAB, 2CPAB	2, 27	clock input A-to-B
1SBA, 2SBA	54, 31	select input B-to-A
1CPBA, 2CPBA	55, 30	clock input B-to-A
GND	4, 11, 18, 25, 32, 39, 46, 53	ground (0 V)
V <sub>CC</sub>	7, 22, 35, 50	supply voltage

## 6. Functional description

Table 3. Function selection

H = HIGH voltage level; L = LOW voltage level; X = don't care; ↑ = LOW-to-HIGH clock transition;

Operating mode	Inputs						Data I/O	
	nOEAB	nOEBA	nCPAB	nCPBA	nSAB	nSBA	nAn	nBn
isolation, store A and B data	L	H	↑	↑	X	X	input	input
isolation, store A and B data	L	H	H or L	H or L	X	X	input	input
store A, hold B <sup>[1]</sup>	X	H	↑	H or L	X	X	input	unspecified <sup>[1]</sup>
store A in both registers	H	H	↑	↑	L	X	input	output
store B, hold A <sup>[1]</sup>	L	X	H or L	↑	X	X	unspecified <sup>[1]</sup>	input
store B in both registers	L	L	↑	↑	X	L	output	input
real-time B data to A bus	L	L	X	X	X	L	output	input
stored B data to A bus	L	L	X	H or L	X	H	output	input
real-time A data to B bus	H	H	X	X	L	X	input	output
stored A data to B bus	H	H	H or L	X	H	X	input	output
stored A data to B bus and stored B data to A bus	H	L	H or L	H or L	H	H	output	output

[1] The data output functions may be enabled or disabled by various signals at the nOEAB and nOEBA inputs. Data input functions are always enabled, i.e., data at the bus inputs will be stored on every LOW-to-HIGH transition on the clock inputs.

## 7. Limiting values

**Table 4. Limiting values**

In accordance with the Absolute Maximum Rating System (IEC 60134). Voltages are referenced to GND (ground = 0 V).

Symbol	Parameter	Conditions	Min	Max	Unit
$V_{CC}$	supply voltage		-0.5	+4.6	V
$V_I$	input voltage		[1] -0.5	+4.6	V
$V_O$	output voltage		[1] -0.5	$V_{CC} + 0.5$	V
$I_{IK}$	input clamping current	$V_I < 0$ V	-50	-	mA
$I_{OK}$	output clamping current	$V_O > V_{CC}$ or $V_O < 0$ V	-	$\pm 50$	mA
$I_{O (sink/source)}$	output sink or source current	$V_O = 0$ V to $V_{CC}$	-	$\pm 50$	mA
$I_{CC}$	supply current		-	100	mA
$I_{GND}$	ground current		-100	-	mA
$T_{stg}$	storage temperature		-65	+150	°C
$P_{tot}$	total power dissipation	$T_{amb} = -40$ °C to +85 °C	[2] -	600	mW

[1] The input and output voltage ratings may be exceeded if the input and output current ratings are observed.

[2] For TSSOP56 packages: above 55 °C derate linearly with 8 mW/K.

## 8. Recommended operating conditions

**Table 5. Recommended operating conditions**

Symbol	Parameter	Conditions	Min	Typ	Max	Unit
$V_{CC}$	supply voltage	for low-voltage applications	1.2	2.4	3.6	V
		for maximum speed performance; 30 pF output load	2.3	2.5	2.7	V
		for maximum speed performance; 50 pF output load	3.0	3.3	3.6	V
$V_I$	input voltage		0	-	$V_{CC}$	V
$V_O$	output voltage		0	-	$V_{CC}$	V
$T_{amb}$	ambient temperature	in free air	-40	-	+85	°C
$\Delta t/\Delta V$	input transition rise and fall rate	$V_{CC} = 2.3$ V to 3.0 V	-	-	20	ns/V
		$V_{CC} = 3.0$ V to 3.6 V	-	-	10	ns/V

## 9. Static characteristics

**Table 6. Static characteristics**

At recommended operating conditions; voltages are referenced to GND (ground = 0 V).  $T_{amb} = -40\text{ °C to }+85\text{ °C}$

Symbol	Parameter	Conditions	Min	Typ[1]	Max	Unit
$V_{IH}$	HIGH-level input voltage	$V_{CC} = 2.3\text{ V to }2.7\text{ V}$	1.7	1.2	-	V
		$V_{CC} = 2.7\text{ V to }3.6\text{ V}$	2.0	1.5	-	V
$V_{IL}$	LOW-level input voltage	$V_{CC} = 2.3\text{ V to }2.7\text{ V}$	-	1.2	0.7	V
		$V_{CC} = 2.7\text{ V to }3.6\text{ V}$	-	1.5	0.8	V
$V_{OH}$	HIGH-level output voltage	$V_I = V_{IH}\text{ or }V_{IL}$				
		$I_O = -100\text{ }\mu\text{A}; V_{CC} = 2.3\text{ V to }3.6\text{ V}$	$V_{CC} - 0.2$	$V_{CC}$	-	V
		$I_O = -6\text{ mA}; V_{CC} = 2.3\text{ V}$	$V_{CC} - 0.3$	$V_{CC} - 0.08$	-	V
		$I_O = -12\text{ mA}; V_{CC} = 2.3\text{ V}$	$V_{CC} - 0.6$	$V_{CC} - 0.26$	-	V
		$I_O = -12\text{ mA}; V_{CC} = 2.7\text{ V}$	$V_{CC} - 0.5$	$V_{CC} - 0.14$	-	V
		$I_O = -12\text{ mA}; V_{CC} = 3.0\text{ V}$	$V_{CC} - 0.6$	$V_{CC} - 0.09$	-	V
$V_{OL}$	LOW-level output voltage	$V_I = V_{IH}\text{ or }V_{IL}$				
		$I_O = 100\text{ }\mu\text{A}; V_{CC} = 2.3\text{ V to }3.6\text{ V}$	-	GND	0.20	V
		$I_O = 6\text{ mA}; V_{CC} = 2.3\text{ V}$	-	0.07	0.40	V
		$I_O = 12\text{ mA}; V_{CC} = 2.3\text{ V}$	-	0.15	0.70	V
		$I_O = 12\text{ mA}; V_{CC} = 2.7\text{ V}$	-	0.14	0.40	V
		$I_O = 24\text{ mA}; V_{CC} = 3.0\text{ V}$	-	0.27	0.55	V
$I_I$	input leakage current	$V_{CC} = 2.3\text{ V to }3.6\text{ V}; V_I = V_{CC}\text{ or GND}$	-	0.1	5	$\mu\text{A}$
$I_{OZ}$	OFF-state output current	$V_{CC} = 2.3\text{ V to }3.6\text{ V}; V_I = V_{IH}\text{ or }V_{IL}; V_O = V_{CC}\text{ or GND}$	-	0.1	10	$\mu\text{A}$
$I_{CC}$	supply current	$V_{CC} = 2.3\text{ V to }3.6\text{ V}; V_I = V_{CC}\text{ or GND}; I_O = 0\text{ A}$	-	0.2	40	$\mu\text{A}$
$\Delta I_{CC}$	additional supply current	per data I/O pin; $V_{CC} = 2.3\text{ V to }3.6\text{ V}; V_I = V_{CC} - 0.6\text{ V}; I_O = 0\text{ A}$	-	150	750	$\mu\text{A}$
$I_{BHL}$	bus hold LOW current	$V_{CC} = 2.3\text{ V}; V_I = 0.7\text{ V}$	45	-	-	$\mu\text{A}$
		$V_{CC} = 3.0\text{ V}; V_I = 0.8\text{ V}$	75	150	-	$\mu\text{A}$
$I_{BHH}$	bus hold HIGH current	$V_{CC} = 2.3\text{ V}; V_I = 1.7\text{ V}$	-45	-	-	$\mu\text{A}$
		$V_{CC} = 3.0\text{ V}; V_I = 2.0\text{ V}$	-75	-175	-	$\mu\text{A}$
$I_{BHLO}$	bus hold LOW overdrive current	$V_{CC} = 3.6\text{ V}$	500	-	-	$\mu\text{A}$
$I_{BHHO}$	bus hold HIGH overdrive current	$V_{CC} = 3.6\text{ V}$	-500	-	-	$\mu\text{A}$
$C_I$	input capacitance		-	4.0	-	pF

[1] All typical values are measured at  $T_{amb} = 25\text{ °C}$ .

## 10. Dynamic characteristics

**Table 7. Dynamic characteristics**

Voltages are referenced to GND (ground = 0 V). For test circuit, see Fig. 11.

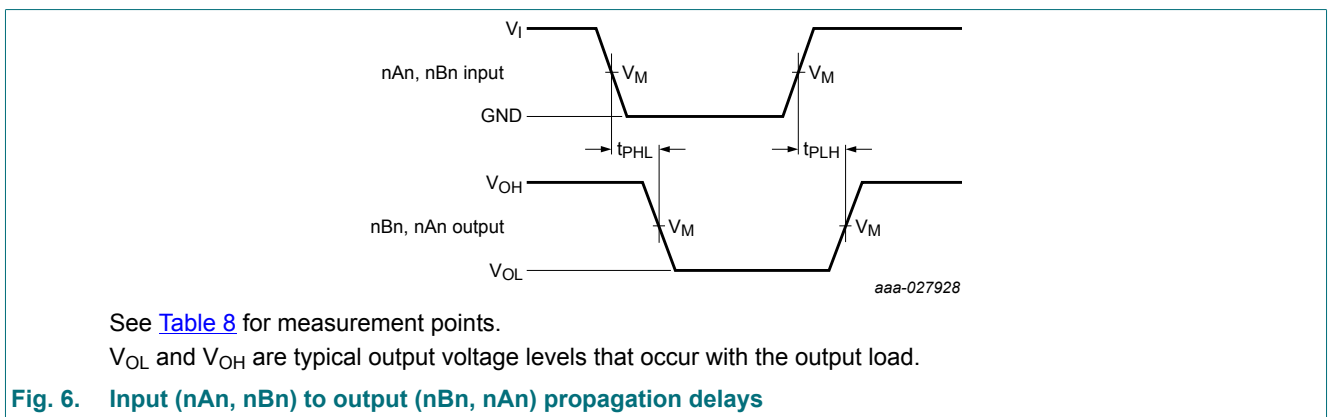
Symbol	Parameter	Conditions	Min	Typ [1]	Max	Unit
$t_{pd}$	propagation delay	nAn to nBn; nBn to nAn; see Fig. 6 [2]				
		$V_{CC} = 2.3 \text{ V to } 2.7 \text{ V}$	1.0	2.7	4.8	ns
		$V_{CC} = 2.7 \text{ V}$	-	2.8	4.5	ns
		$V_{CC} = 3.0 \text{ V to } 3.6 \text{ V}$	1.0	2.6	3.9	ns
		nCPAB to nBn; nCPBA to nAn; see Fig. 7				
		$V_{CC} = 2.3 \text{ V to } 2.7 \text{ V}$	1.0	3.4	6.8	ns
		$V_{CC} = 2.7 \text{ V}$	-	3.1	5.2	ns
		$V_{CC} = 3.0 \text{ V to } 3.6 \text{ V}$	1.4	2.9	4.5	ns
		nSAB to nBn; nSBA to nAn; see Fig. 8				
		$V_{CC} = 2.3 \text{ V to } 2.7 \text{ V}$	1.0	3.4	5.6	ns
		$V_{CC} = 2.7 \text{ V}$	-	3.5	6.4	ns
		$V_{CC} = 3.0 \text{ V to } 3.6 \text{ V}$	1.3	3.1	5.3	ns
$t_{en}$	enable time	nOEAB to nBn; see Fig. 10 [3]				
		$V_{CC} = 2.3 \text{ V to } 2.7 \text{ V}$	1.0	2.6	4.5	ns
		$V_{CC} = 2.7 \text{ V}$	-	2.4	4.6	ns
		$V_{CC} = 3.0 \text{ V to } 3.6 \text{ V}$	1.0	2.2	4.0	ns
		nOEBA to nAn; see Fig. 10 [3]				
		$V_{CC} = 2.3 \text{ V to } 2.7 \text{ V}$	3.3	2.8	4.5	ns
		$V_{CC} = 2.7 \text{ V}$	-	3.0	4.6	ns
		$V_{CC} = 3.0 \text{ V to } 3.6 \text{ V}$	1.0	2.2	4.0	ns
$t_{dis}$	disable time	nOEAB to nBn; see Fig. 10 [4]				
		$V_{CC} = 2.3 \text{ V to } 2.7 \text{ V}$	1.6	2.7	4.5	ns
		$V_{CC} = 2.7 \text{ V}$	-	3.4	5.1	ns
		$V_{CC} = 3.0 \text{ V to } 3.6 \text{ V}$	1.4	2.7	4.5	ns
		nOEBA to nAn; see Fig. 10 [4]				
		$V_{CC} = 2.3 \text{ V to } 2.7 \text{ V}$	3.3	2.5	4.5	ns
		$V_{CC} = 2.7 \text{ V}$	-	3.1	5.1	ns
		$V_{CC} = 3.0 \text{ V to } 3.6 \text{ V}$	1.1	2.9	4.5	ns
$t_w$	pulse width	nCPAB HIGH or LOW; nCPBA HIGH or LOW; see Fig. 7				
		$V_{CC} = 2.3 \text{ V to } 2.7 \text{ V}$	2.2	1.2	-	ns
		$V_{CC} = 2.7 \text{ V}$	3.3	1.0	-	ns
		$V_{CC} = 3.0 \text{ V to } 3.6 \text{ V}$	3.3	0.7	-	ns

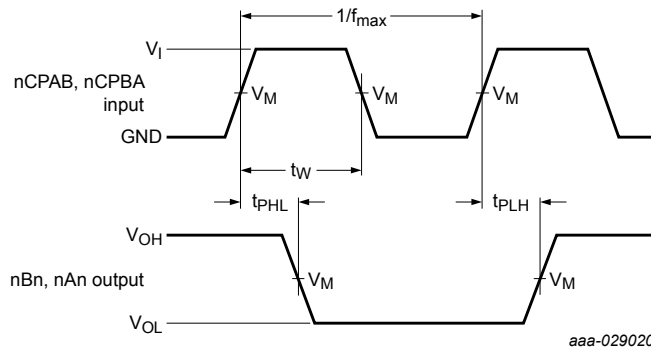


Symbol	Parameter	Conditions	Min	Typ [1]	Max	Unit
t <sub>su</sub>	set-up time	nAn to nCPAB; nBn to nCPBA; see Fig. 9				
		V <sub>CC</sub> = 2.3 V to 2.7 V	2.2	0.2	-	ns
		V <sub>CC</sub> = 2.7 V	1.7	0.2	-	ns
		V <sub>CC</sub> = 3.0 V to 3.6 V	1.4	0.3	-	ns
t <sub>h</sub>	hold time	nAn to nCPAB; nBn to nCPBA; see Fig. 9				
		V <sub>CC</sub> = 2.3 V to 2.7 V	0.6	0.1	-	ns
		V <sub>CC</sub> = 2.7 V	0.4	0.1	-	ns
		V <sub>CC</sub> = 3.0 V to 3.6 V	0.7	0.2	-	ns
f <sub>max</sub>	maximum frequency	nCPAB; nCPBA; see Fig. 7				
		V <sub>CC</sub> = 2.3 V to 2.7 V	150	300	-	MHz
		V <sub>CC</sub> = 2.7 V	150	320	-	MHz
		V <sub>CC</sub> = 3.0 V to 3.6 V	150	320	-	MHz
C <sub>PD</sub>	power dissipation capacitance	per channel; V <sub>I</sub> = GND to V <sub>CC</sub> [5]				
		output enabled	-	22	-	pF
		output disabled	-	4.0	-	pF

- [1] Typical values are measured at T<sub>amb</sub> = 25 °C  
 Typical values for V<sub>CC</sub> = 2.3 V to 2.7 V are measured at V<sub>CC</sub> = 2.5 V  
 Typical values for V<sub>CC</sub> = 3.0 V to 3.6 V are measured at V<sub>CC</sub> = 3.3 V
- [2] t<sub>pd</sub> is the same as t<sub>PHL</sub> and t<sub>PLH</sub>.
- [3] t<sub>en</sub> is the same as t<sub>PZH</sub> and t<sub>PZL</sub>.
- [4] t<sub>dis</sub> is the same as t<sub>PHZ</sub> and t<sub>PLZ</sub>.
- [5] C<sub>PD</sub> is used to determine the dynamic power dissipation (P<sub>D</sub> in μW):  
 $P_D = C_{PD} \times V_{CC}^2 \times f_i \times N + \sum(C_L \times V_{CC}^2 \times f_o)$  where:  
 f<sub>i</sub> = input frequency in MHz;  
 f<sub>o</sub> = output frequency in MHz;  
 C<sub>L</sub> = output load capacitance in pF;  
 V<sub>CC</sub> = supply voltage in V;  
 N = number of inputs switching;  
 $\sum(C_L \times V_{CC}^2 \times f_o)$  = sum of outputs.

### 10.1. Waveforms and test circuit

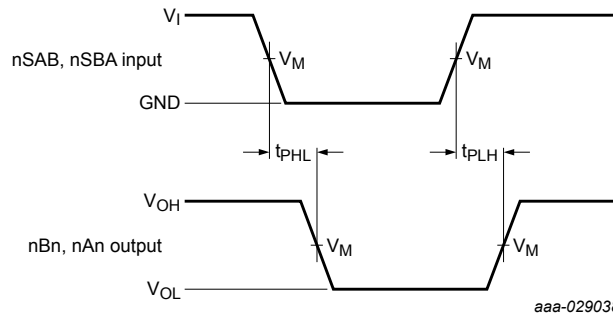




Measurement points are given in [Table 8](#).

$V_{OL}$  and  $V_{OH}$  are typical voltage output levels that occur with the output load.

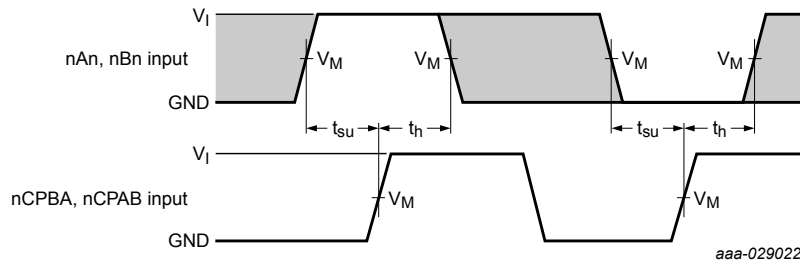
**Fig. 7. Clock input (nCPAB, nCPBA) to data output (nBn, nAn) propagation delays, clock pulse width (nCPAB, nCPBA) and maximum clock frequency (nCPAB, nCPBA)**



Measurement points are given in [Table 8](#).

$V_{OL}$  and  $V_{OH}$  are typical voltage output levels that occur with the output load.

**Fig. 8. Select source inputs (nSAB, nSBA) to data output (nBn, nAn) propagation delays**



Measurement points are given in [Table 8](#).

The shaded areas indicate when the input is permitted to change for predictable output performance.

**Fig. 9. Data set-up and hold times for nAn, nBn inputs to nCPAB and nCPBA inputs**

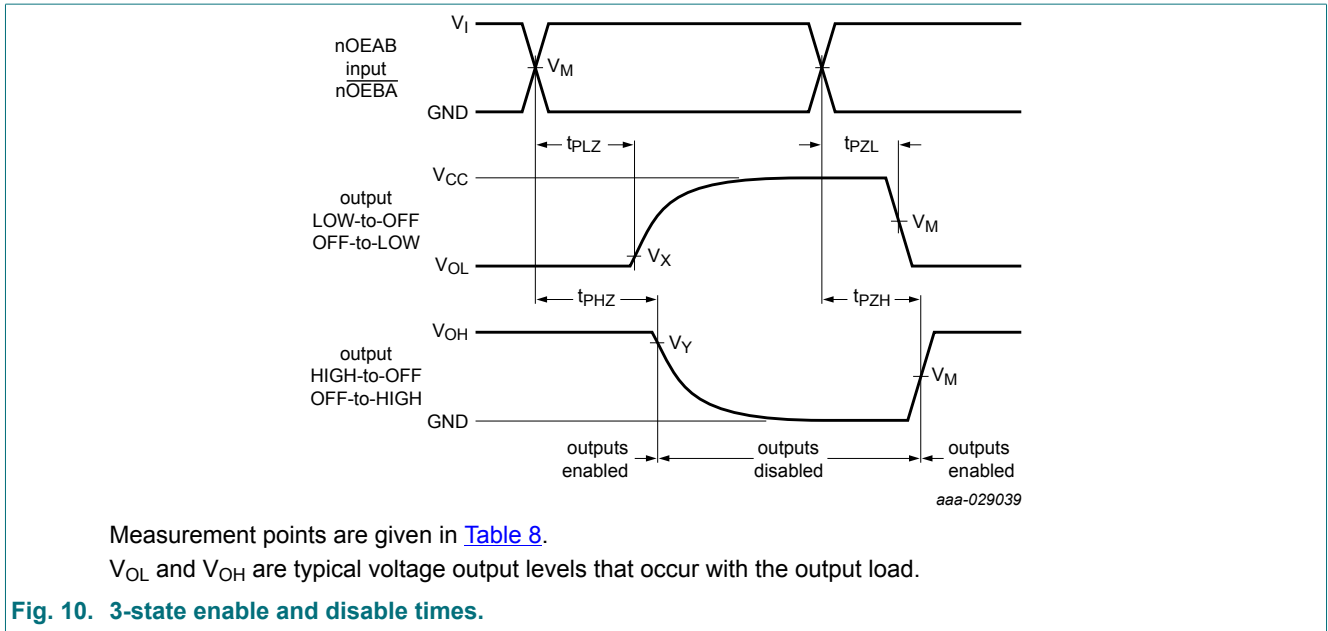
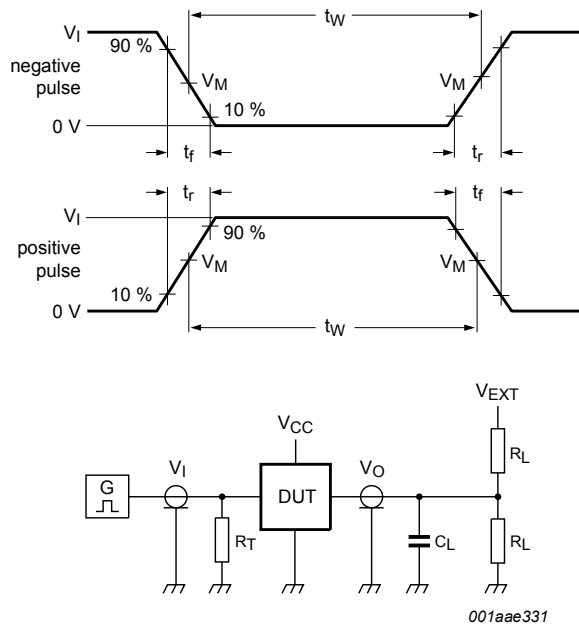


Table 8. Measurement points

Supply voltage	Input		Output		
	$V_I$	$V_M$	$V_M$	$V_X$	$V_Y$
2.3 V to 2.7 V	$V_{CC}$	$0.5 \times V_{CC}$	$0.5 \times V_{CC}$	$V_{OL} + 0.15 \text{ V}$	$V_{OH} - 0.15 \text{ V}$
2.7 V	2.7 V	1.5 V	1.5 V	$V_{OL} + 0.3 \text{ V}$	$V_{OH} - 0.3 \text{ V}$
3.0 V to 3.6 V	2.7 V	1.5 V	1.5 V	$V_{OL} + 0.3 \text{ V}$	$V_{OH} - 0.3 \text{ V}$



Test data is given in [Table 9](#).

Definitions for test circuit:

$R_L$  = Load resistance.

$C_L$  = Load capacitance including jig and probe capacitance.

$R_T$  = Termination resistance should be equal to output impedance  $Z_o$  of the pulse generator.

$V_{EXT}$  = External voltage for measuring switching times.

**Fig. 11. Test circuit for measuring switching times**

**Table 9. Test data**

Supply voltage	Input		Load		$V_{EXT}$		
$V_{CC}$	$V_I$	$t_r, t_f$	$C_L$	$R_L$	$t_{PLH}, t_{PHL}$	$t_{PLZ}, t_{PZL}$	$t_{PHZ}, t_{PZH}$
2.3 V to 2.7 V	$V_{CC}$	$\leq 2.0$ ns	30 pF	500 $\Omega$	open	$2 \times V_{CC}$	GND
2.7 V	2.7 V	$\leq 2.5$ ns	50 pF	500 $\Omega$	open	$2 \times V_{CC}$	GND
3.0 V to 3.6 V	2.7 V	$\leq 2.5$ ns	50 pF	500 $\Omega$	open	$2 \times V_{CC}$	GND

### 11. Application information

H = HIGH voltage level; L = LOW voltage level; X = don't care; ↑ = LOW-to-HIGH clock transition

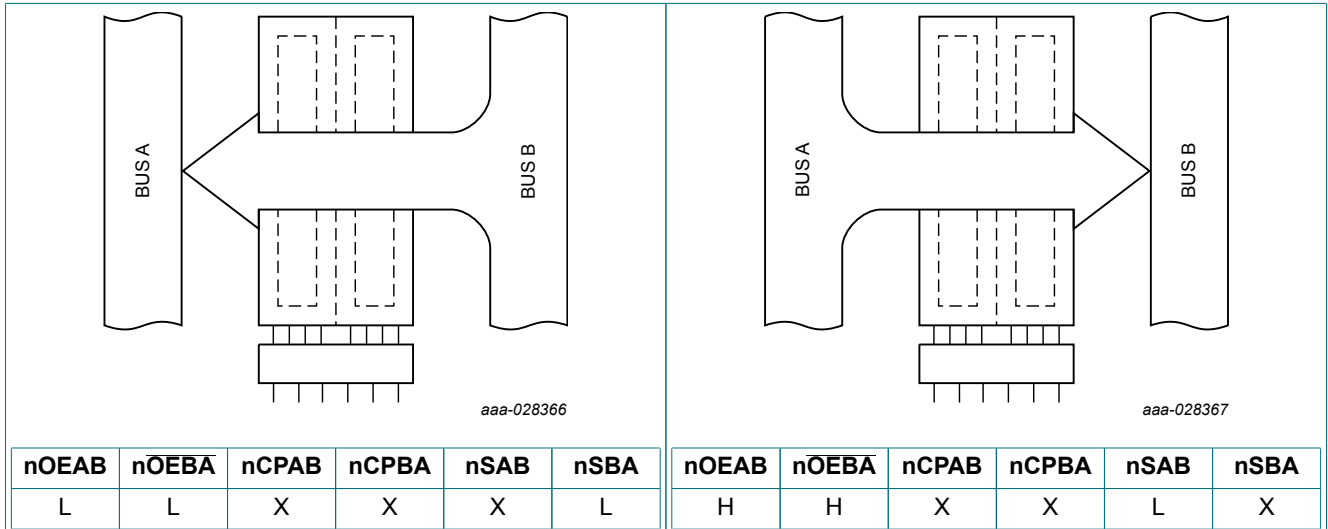


Fig. 12. Real time transfer bus B to bus A

Fig. 13. Real time transfer bus A to bus B

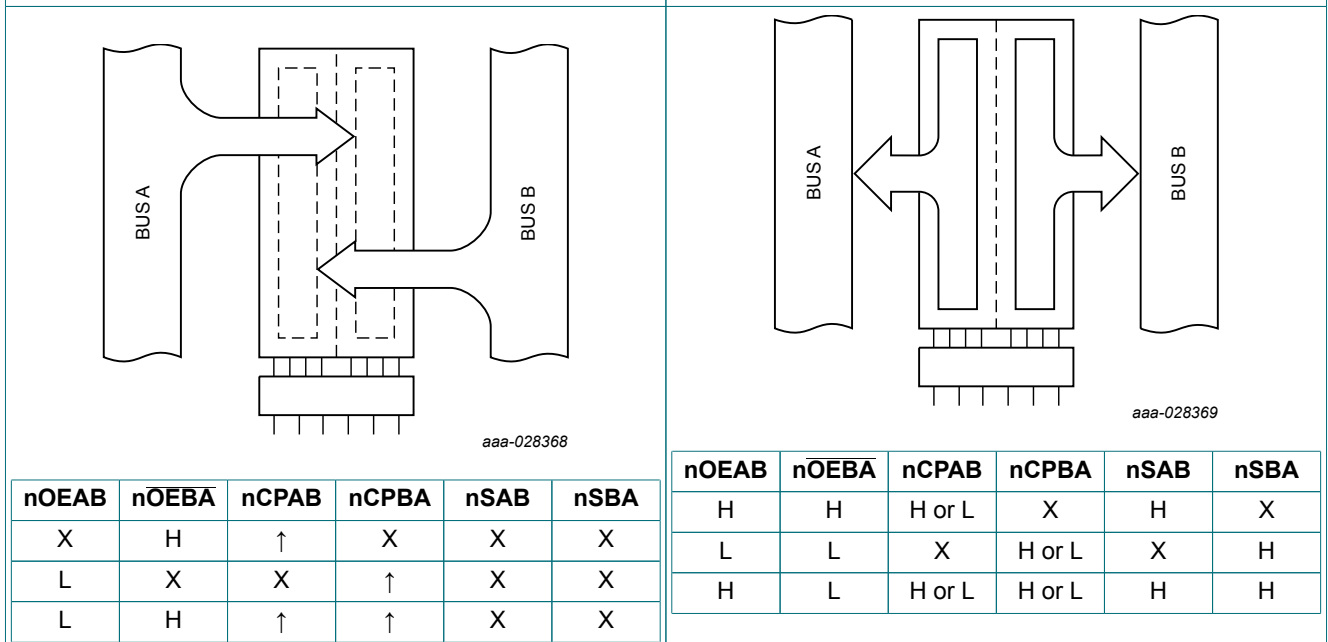
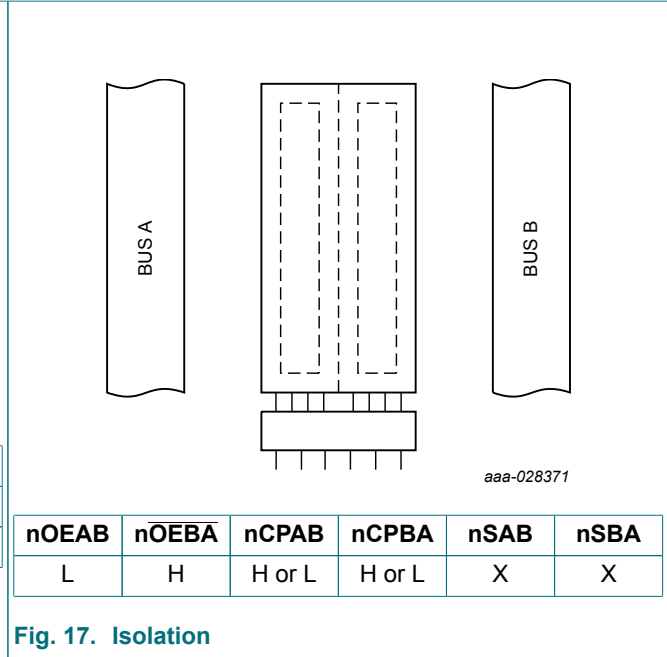
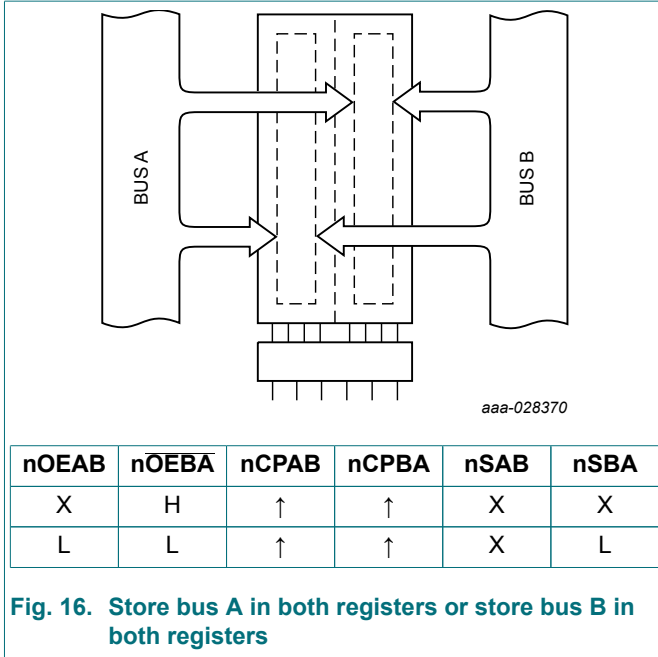


Fig. 14. Store from bus A, B or A and B in one register

Fig. 15. Transfer A stored data to B bus or B stored data to A bus or both at the same time



12. Package outline

TSSOP56: plastic thin shrink small outline package; 56 leads; body width 6.1 mm

SOT364-1

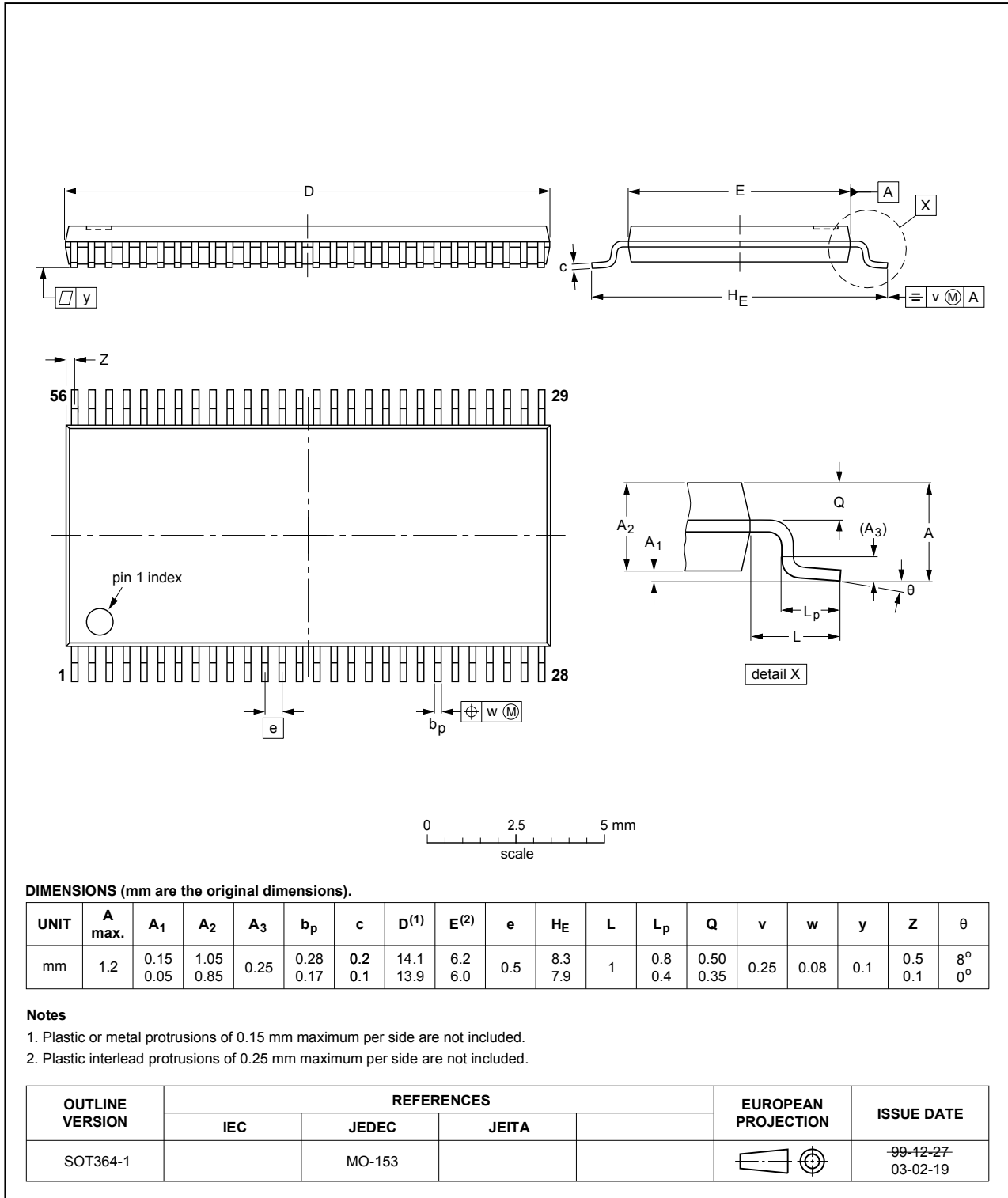


Fig. 18. Package outline SOT364-1 (TSSOP56)

## 13. Abbreviations

Table 10. Abbreviations

Acronym	Description
CDM	Charged Device Model
CMOS	Complementary Metal-Oxide Semiconductor
DUT	Device Under Test
ESD	ElectroStatic Discharge
HBM	Human Body Model
TTL	Transistor-Transistor Logic

## 14. Revision history

Table 11. Revision history

Document ID	Release date	Data sheet status	Change notice	Supersedes
74ALVCH16652 v.3	20180912	Product data sheet	-	74ALVCH16652 v.2
Modifications:	<ul style="list-style-type: none"> <li>The format of this data sheet has been redesigned to comply with the identity guidelines of Nexperia.</li> <li>Legal texts have been adapted to the new company name where appropriate.</li> </ul>			
74ALVCH16652 v.2	19991123	Product specification	-	74ALVCH16652 v.1
74ALVCH16652 v.1	19980831	Preliminary specification	-	-



## 15. Legal information

### Data sheet status

Document status [1][2]	Product status [3]	Definition
Objective [short] data sheet	Development	This document contains data from the objective specification for product development.
Preliminary [short] data sheet	Qualification	This document contains data from the preliminary specification.
Product [short] data sheet	Production	This document contains the product specification.

- [1] Please consult the most recently issued document before initiating or completing a design.
- [2] The term 'short data sheet' is explained in section "Definitions".
- [3] The product status of device(s) described in this document may have changed since this document was published and may differ in case of multiple devices. The latest product status information is available on the internet at <https://www.nexperia.com>.

### Definitions

**Draft** — The document is a draft version only. The content is still under internal review and subject to formal approval, which may result in modifications or additions. Nexperia does not give any representations or warranties as to the accuracy or completeness of information included herein and shall have no liability for the consequences of use of such information.

**Short data sheet** — A short data sheet is an extract from a full data sheet with the same product type number(s) and title. A short data sheet is intended for quick reference only and should not be relied upon to contain detailed and full information. For detailed and full information see the relevant full data sheet, which is available on request via the local Nexperia sales office. In case of any inconsistency or conflict with the short data sheet, the full data sheet shall prevail.

**Product specification** — The information and data provided in a Product data sheet shall define the specification of the product as agreed between Nexperia and its customer, unless Nexperia and customer have explicitly agreed otherwise in writing. In no event however, shall an agreement be valid in which the Nexperia product is deemed to offer functions and qualities beyond those described in the Product data sheet.

### Disclaimers

**Limited warranty and liability** — Information in this document is believed to be accurate and reliable. However, Nexperia does not give any representations or warranties, expressed or implied, as to the accuracy or completeness of such information and shall have no liability for the consequences of use of such information. Nexperia takes no responsibility for the content in this document if provided by an information source outside of Nexperia.

In no event shall Nexperia be liable for any indirect, incidental, punitive, special or consequential damages (including - without limitation - lost profits, lost savings, business interruption, costs related to the removal or replacement of any products or rework charges) whether or not such damages are based on tort (including negligence), warranty, breach of contract or any other legal theory.

Notwithstanding any damages that customer might incur for any reason whatsoever, Nexperia's aggregate and cumulative liability towards customer for the products described herein shall be limited in accordance with the Terms and conditions of commercial sale of Nexperia.

**Right to make changes** — Nexperia reserves the right to make changes to information published in this document, including without limitation specifications and product descriptions, at any time and without notice. This document supersedes and replaces all information supplied prior to the publication hereof.

**Suitability for use** — Nexperia products are not designed, authorized or warranted to be suitable for use in life support, life-critical or safety-critical systems or equipment, nor in applications where failure or malfunction of an Nexperia product can reasonably be expected to result in personal

injury, death or severe property or environmental damage. Nexperia and its suppliers accept no liability for inclusion and/or use of Nexperia products in such equipment or applications and therefore such inclusion and/or use is at the customer's own risk.

**Quick reference data** — The Quick reference data is an extract of the product data given in the Limiting values and Characteristics sections of this document, and as such is not complete, exhaustive or legally binding.

**Applications** — Applications that are described herein for any of these products are for illustrative purposes only. Nexperia makes no representation or warranty that such applications will be suitable for the specified use without further testing or modification.

Customers are responsible for the design and operation of their applications and products using Nexperia products, and Nexperia accepts no liability for any assistance with applications or customer product design. It is customer's sole responsibility to determine whether the Nexperia product is suitable and fit for the customer's applications and products planned, as well as for the planned application and use of customer's third party customer(s). Customers should provide appropriate design and operating safeguards to minimize the risks associated with their applications and products.

Nexperia does not accept any liability related to any default, damage, costs or problem which is based on any weakness or default in the customer's applications or products, or the application or use by customer's third party customer(s). Customer is responsible for doing all necessary testing for the customer's applications and products using Nexperia products in order to avoid a default of the applications and the products or of the application or use by customer's third party customer(s). Nexperia does not accept any liability in this respect.

**Limiting values** — Stress above one or more limiting values (as defined in the Absolute Maximum Ratings System of IEC 60134) will cause permanent damage to the device. Limiting values are stress ratings only and (proper) operation of the device at these or any other conditions above those given in the Recommended operating conditions section (if present) or the Characteristics sections of this document is not warranted. Constant or repeated exposure to limiting values will permanently and irreversibly affect the quality and reliability of the device.

**Terms and conditions of commercial sale** — Nexperia products are sold subject to the general terms and conditions of commercial sale, as published at <http://www.nexperia.com/profile/terms>, unless otherwise agreed in a valid written individual agreement. In case an individual agreement is concluded only the terms and conditions of the respective agreement shall apply. Nexperia hereby expressly objects to applying the customer's general terms and conditions with regard to the purchase of Nexperia products by customer.

**No offer to sell or license** — Nothing in this document may be interpreted or construed as an offer to sell products that is open for acceptance or the grant, conveyance or implication of any license under any copyrights, patents or other industrial or intellectual property rights.

**Export control** — This document as well as the item(s) described herein may be subject to export control regulations. Export might require a prior authorization from competent authorities.

**Non-automotive qualified products** — Unless this data sheet expressly states that this specific Nexperia product is automotive qualified, the product is not suitable for automotive use. It is neither qualified nor tested in accordance with automotive testing or application requirements. Nexperia accepts no liability for inclusion and/or use of non-automotive qualified products in automotive equipment or applications.

In the event that customer uses the product for design-in and use in automotive applications to automotive specifications and standards, customer (a) shall use the product without Nexperia's warranty of the product for such automotive applications, use and specifications, and (b) whenever customer uses the product for automotive applications beyond Nexperia's specifications such use shall be solely at customer's own risk, and (c) customer fully indemnifies Nexperia for any liability, damages or failed product claims resulting from customer design and use of the product for automotive applications beyond Nexperia's standard warranty and Nexperia's product specifications.

**Translations** — A non-English (translated) version of a document is for reference only. The English version shall prevail in case of any discrepancy between the translated and English versions.

### Trademarks

Notice: All referenced brands, product names, service names and trademarks are the property of their respective owners.

## Contents

<b>1. General description</b> .....	<b>1</b>
<b>2. Features and benefits</b> .....	<b>1</b>
<b>3. Ordering information</b> .....	<b>1</b>
<b>4. Functional diagram</b> .....	<b>2</b>
<b>5. Pinning information</b> .....	<b>4</b>
5.1. Pinning.....	4
5.2. Pin description.....	5
<b>6. Functional description</b> .....	<b>5</b>
<b>7. Limiting values</b> .....	<b>6</b>
<b>8. Recommended operating conditions</b> .....	<b>6</b>
<b>9. Static characteristics</b> .....	<b>7</b>
<b>10. Dynamic characteristics</b> .....	<b>8</b>
10.1. Waveforms and test circuit.....	9
<b>11. Application information</b> .....	<b>13</b>
<b>12. Package outline</b> .....	<b>15</b>
<b>13. Abbreviations</b> .....	<b>16</b>
<b>14. Revision history</b> .....	<b>16</b>
<b>15. Legal information</b> .....	<b>17</b>

© Nexperia B.V. 2018. All rights reserved

For more information, please visit: <http://www.nexperia.com>

For sales office addresses, please send an email to: [salesaddresses@nexperia.com](mailto:salesaddresses@nexperia.com)

Date of release: 12 September 2018