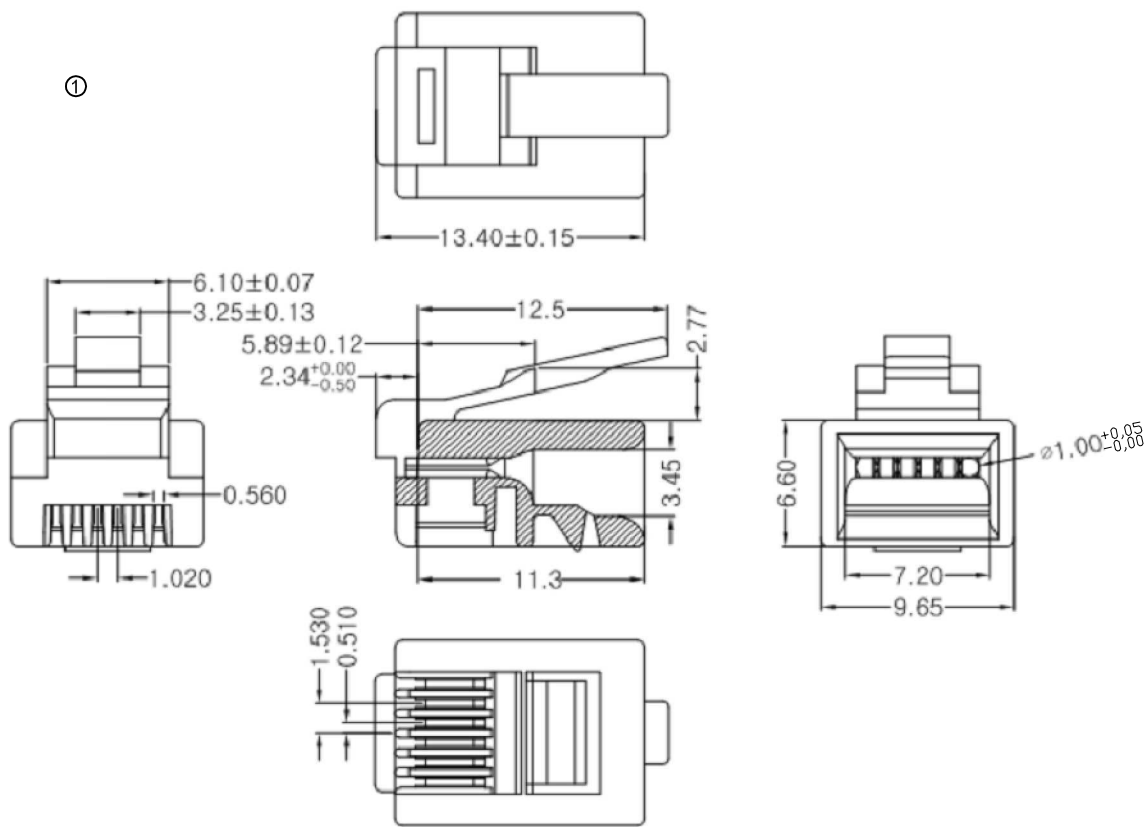


A
B
C
D
E
F

A
B
C
D
E
F



Specifications:

Material:
Housing: Poly Carbonate(PC) UL94V-2
Contact: Phosphor Bronze with 2 prongs
Plating: 6u" gold plated
100u" Nickel under plated
Operating temperature: -40°C to +125°C

Electrical:
Current rating: 250V AC max. at 2A
Dielectric: 500V AC
Insulation resistance: 500MΩ
Termination resistance: 35mΩ max after environmental tests
Tensile strength: 20 LBS (89N) min.
Durability: 500 mating cycles

Complies with FCC68/F
② Wire gauge: 30AWG-24AWG Stranded wire
Cable OD size: flat cable 2.5x6.8±0.02mm
Wire size: 0.95±0.05mm

RoHS compliant
Unit: mm

Scale	Free					Date	Name	Customer-No.	
TOLERANCE					Drawn	28.06.2010	Chappell		
X.X	±0.20				Approved	03.04.2019	Amy	ASSMANN WSW-No.	
X.XX	±0.10							A-MO 6/6-SF	
X.XXX	±0.05	②	Add cable wire size information	03.04.2019	Amy			Drawing-No.	
DIM	TOL	①	Update drawing	12.06.2016	Joanna			ASS 0512 CO	rev02
X.°	±3°	①	Update drawing	12.06.2016	Joanna			Replace	Sheet
X.X°	±1.0°	②	Drawn	04.06.2014	Joanna				
Angle	TOL	Id.	Modification	Date	Name				

G
H

G
H