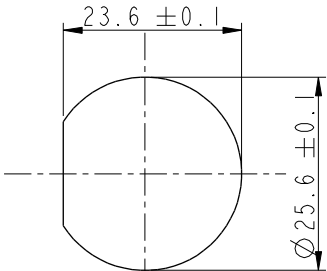
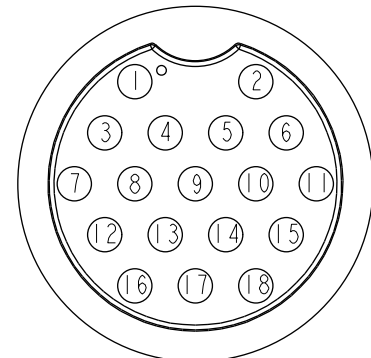
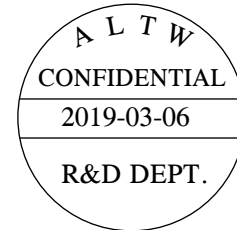
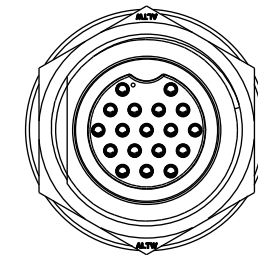
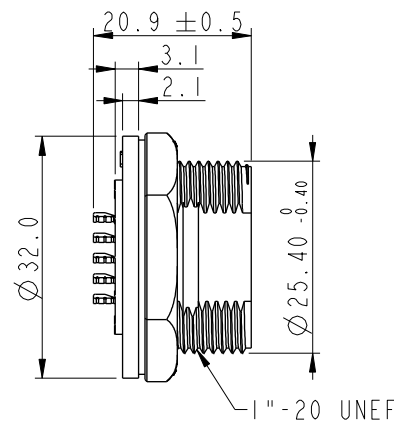
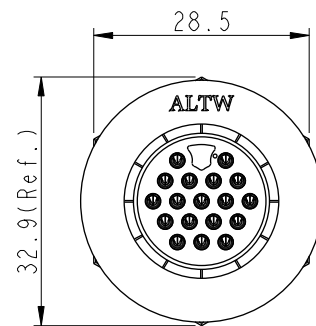


THIS DOCUMENT IS SUBJECT TO CHANGE WITHOUT NOTICE. IT IS CONFIDENTIAL AND A PROPERTY OF AMPHENOL LTW. DISCLOSURE TO THIRD PARTY HAS TO BE AUTHORIZED BY AMPHENOL LTW.

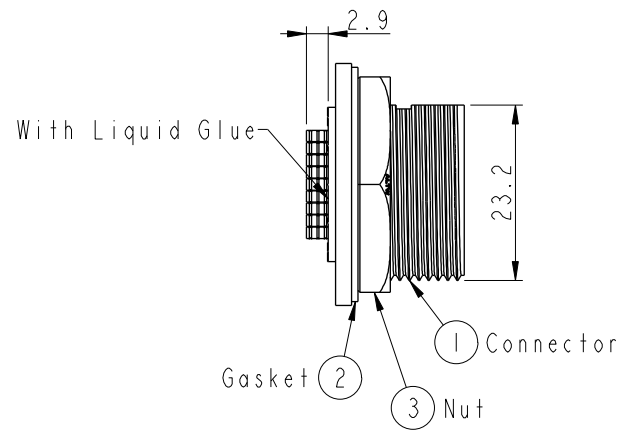
| REV. | ECN NO. | DATE | SIGN | DESCRIPTION |
|------|---------|------------|-------|-------------|
| B | C190347 | 2019/03/06 | Vicky | Change Note |
| | | | | |



Recommended Panel
Cut-Out



Pin Assignments
Front View



- Note:**
- * Important Dimension To Check.
 - * Waterproof Rate: IP67, Unmated.
 - * Housing: Thermoplastic, Black.
 - * Pin: Copper Alloy, Gold Plated.
 - * Gasket: Rubber, Gray.
 - * Nut: Thermoplastic, Black.
 - * Use with waterproof cap or dust cap
Maximum Panel Thickness: 1.8mm
 - * Use without waterproof cap or dust cap
Maximum Panel Thickness: 3.0mm
 - * Gasket and Nut are packed separately in PE bags. (Gasket/Nut不組裝，散裝出貨)

| | | |
|-----------|-------|--|
| UNIT: mm | | |
| TOLERANCE | | |
| .X | ±0.25 | |
| .XX | ±0.1 | |
| .XXX | ±0.05 | |
| ANGLES | ±1° | |

| | | | |
|--------------------------------------------------|----------------|-----------------|--|
| TITLE LARGE PANEL SCREW 18PIN M CONN F PIN | | | |
| SCALE 1:1 | SIZE A4 | SHEET 1 OF 1 | |
| REV. B | WC-REV. A.1 | Inspection item | |

Amphenol LTW
安費諾亮泰企業股份有限公司

| | | |
|-------------------------------|--------------------|--------------------|
| ITEM NO. ADD-18PMFS-SC7001 | DRAWN BY Vicky | DATE 2015-07-17 |
| DWG NO. ADD-18PMFS-SC7001 | CHECKED BY Rita | DATE 2015-07-17 |
| CUSTOMER ALTW | APPROVED BY Max | DATE 2015-07-17 |