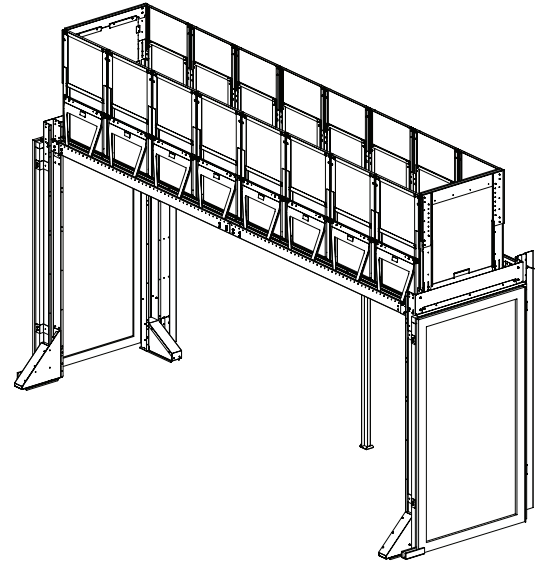
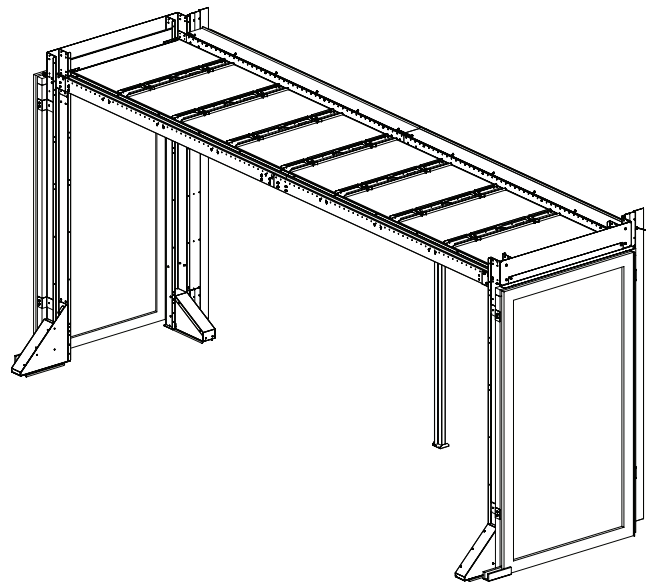


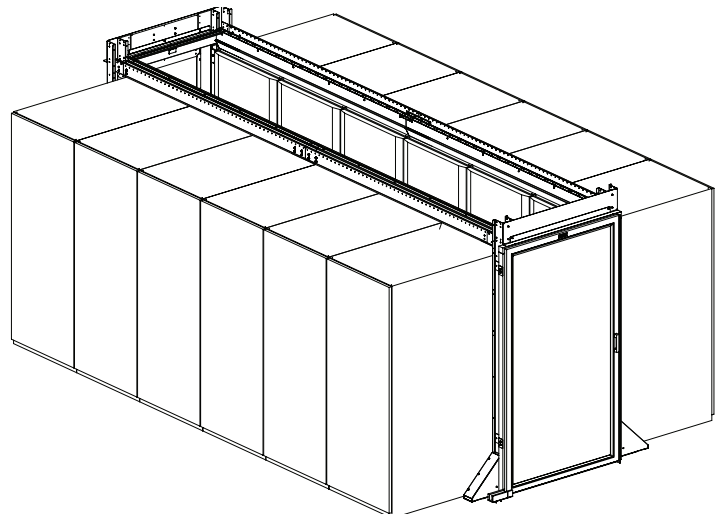
Universal Single Row Containment Vertical Wall Version



Universal Single Row Containment Roofing Version



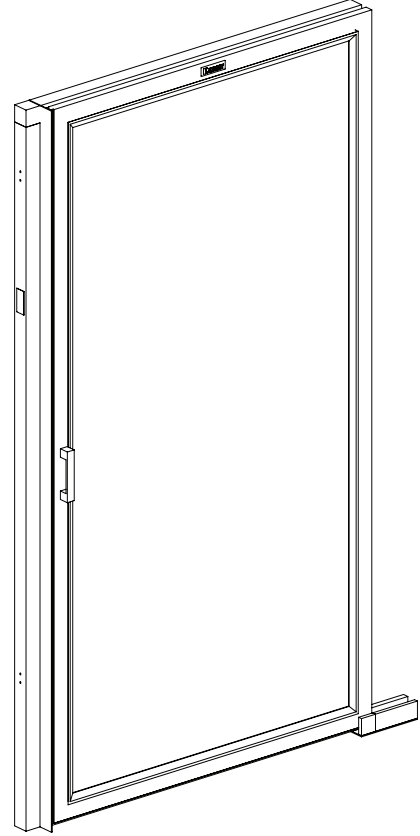
900mm Universal Aisle Containment



Component Guide for Doors

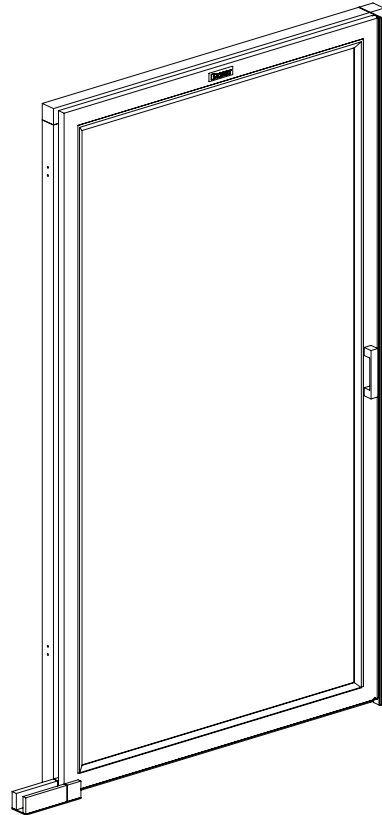
Net-Contain USRC - Single Sliding Door Right Hand Opening

CUSR1SDRH**
(1) Door
(1) Extended Door Guide
(1) Hardware Kit

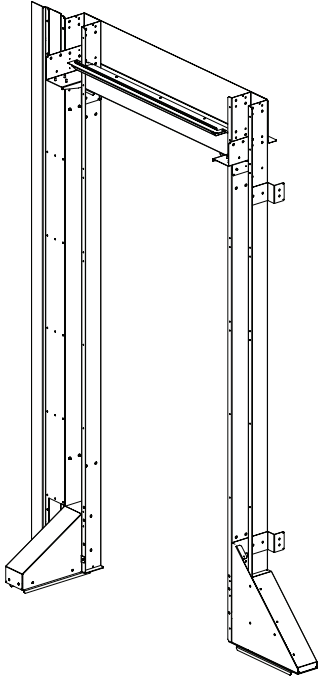


Net-Contain USRC - Single Sliding Door Left Hand Opening

CUSR1SDLH**
(1) Door
(1) Extended Door Guide
(1) Hardware Kit

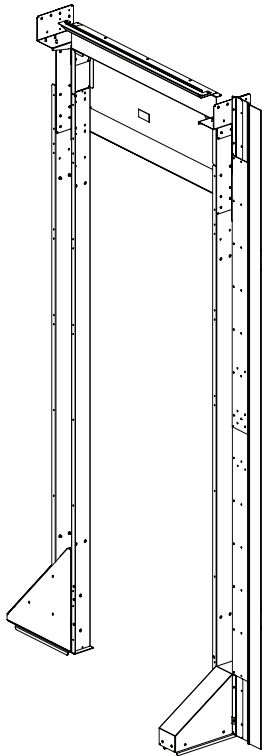


Component Guide for End of Row Frames and 900mm UAC Conversion Kit



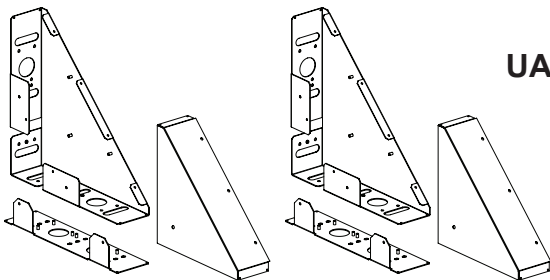
**Net-Contain USRC - End of Row
Frame for Roofing 42/45RU High
40.5" (1030mm) Aisle Width**

- CUSREFRT8****
- (1) Half-Aisle, CAC Beam
 - (1) Left Hand Hanger
 - (1) Right Hand Hanger
 - (1) Half-Aisle End Beam
 - (2) Supports
 - (2) Post, Half Aisle
 - (1) Simplex Transom
 - (1) Transom Seal
 - (1) Foot Cover, Wall Side
 - (1) Post Foot, Wall Side
 - (2) Support Plates
 - (1) Post Foot, Cabinet Side
 - (1) Foot Cover, Cabinet side
 - (1) Post Base
 - (4) Door Brackets
 - (2) Panel 1200
 - (2) Panel 1150
 - (1) Post Seal 42-45
 - (1) 3" Flap Seal
 - (1) Hardware Kit



**Net-Contain USRC - End of Row
Frame for Roofing 48/52RU High
40.5" (1030mm) Aisle Width**

- CUSREFRT9****
- (1) Half-Aisle, CAC Beam
 - (1) Post Extension
 - (1) Post Extension RH
 - (1) Half-Aisle 48-52 End Beam
 - (2) Supports
 - (2) Post, Half Aisle
 - (1) Simplex Transom
 - (1) Transom Seal
 - (1) Foot Cover, Wall Side
 - (1) Post Foot, Wall Side
 - (2) Support Plates
 - (1) Post Foot, Cabinet Side
 - (1) Foot Cover, Cabinet side
 - (1) Post Base
 - (4) Door Brackets
 - (2) Panel 1200
 - (2) Panel 1150
 - (1) 48/52 Post Seal A
 - (1) 48/52 Post Seal B
 - (1) 52 Seal Adapter
 - (2) 52 Spacers
 - (1) 3" Flap Seal
 - (1) Hardware Kit



UAC 900mm Aisle Width Conversion Kit

- CUEFRCKIT****
- (2) Post Base
 - (2) Post Foot
 - (2) Post Foot Cover
 - (1) Hardware Kit

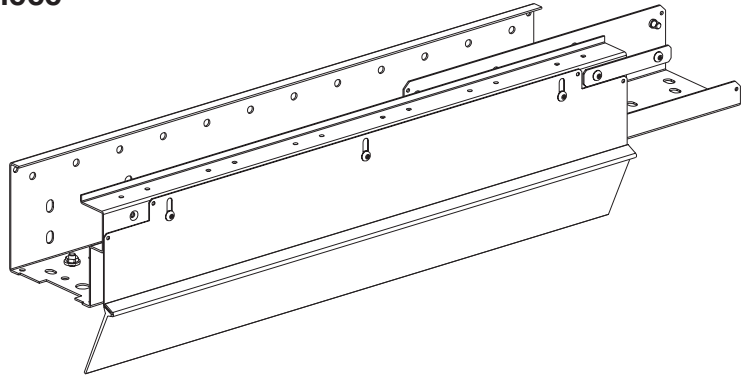
For Technical Support: www.panduit.com/resources/install_maintain.asp

Component Guide for Wall Beams

Net-Contain UAC Wall Beam 600mm Long, 1 Piece

CUWBSS06ST01**

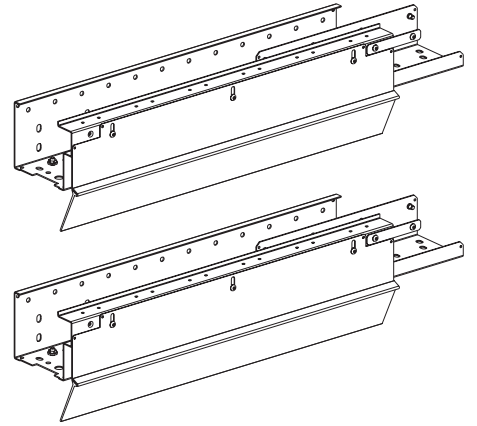
- (1) 600mm Wall Beam
- (1) 600mm Wall Beam Clamp
- (1) Connector
- (1) Wall Beam Ganging Bracket
(Included in Hardware Kit)
- (1) Flap Seal
(Included in Hardware Kit)
- (1) Hardware Kit



Net-Contain UAC Wall Beam 600mm Long, 2 Pieces

CUWBPS06ST02**

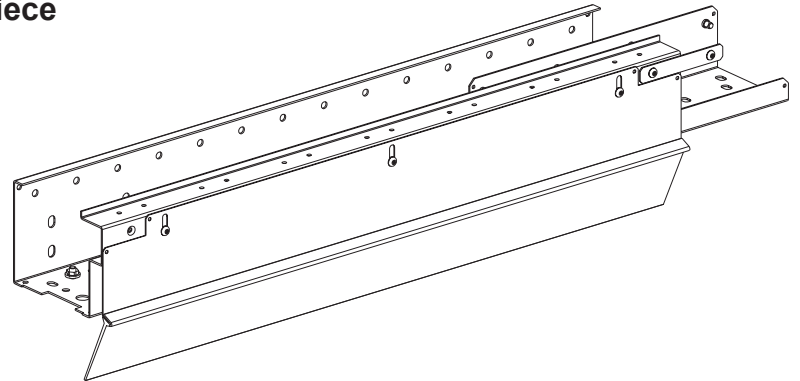
- (2) 600mm Wall Beams
- (2) 600mm Wall Beam Clamps
- (2) Connectors
- (2) Wall Beam Ganging Brackets
(Included in Hardware Kit)
- (2) Flap Seals
(Included in Hardware Kit)
- (2) Hardware Kits



Net-Contain UAC Wall Beam 700mm Long, 1 Piece

CUWBSS07ST01**

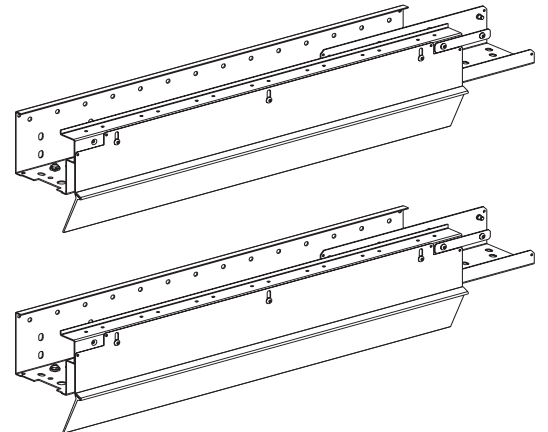
- (1) 700mm Wall Beam
- (1) 700mm Wall Beam Clamp
- (1) Connector
- (1) Wall Beam Ganging Bracket
(Included in Hardware Kit)
- (1) Flap Seal
(Included in Hardware Kit)
- (1) Hardware Kit



Net-Contain UAC Wall Beam 700mm Long, 2 Pieces

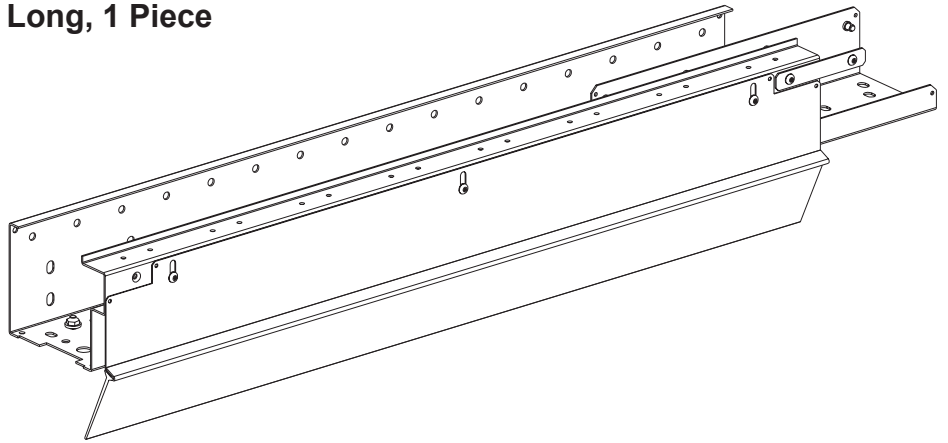
CUWBPS07ST02**

- (2) 700mm Wall Beams
- (2) 700mm Wall Beam Clamps
- (2) Connectors
- (2) Wall Beam Ganging Brackets
(Included in Hardware Kit)
- (2) Flap Seals
(Included in Hardware Kit)
- (2) Hardware Kits

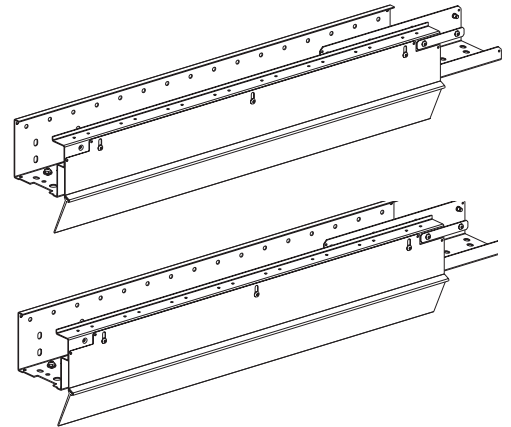


Net-Contain UAC Wall Beam 800mm Long, 1 Piece**CUWBSS08ST01****

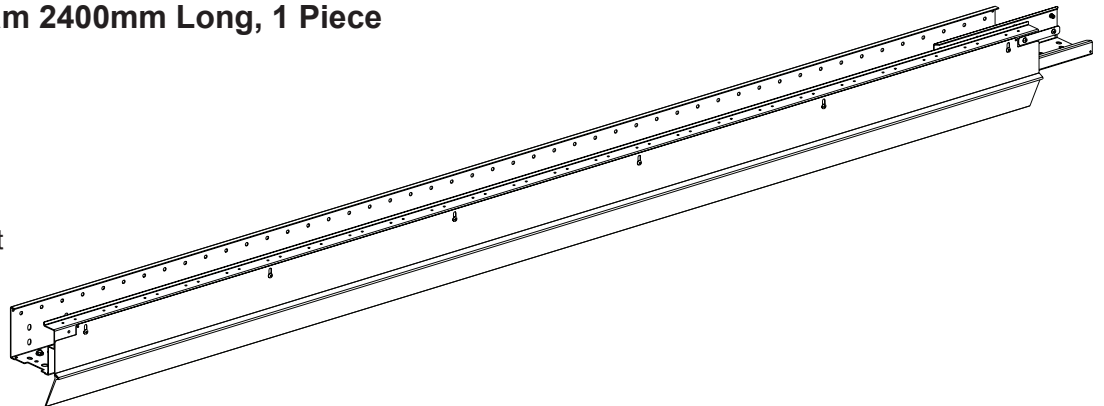
- (1) 800mm Wall Beam
- (1) 800mm Wall Beam Clamp
- (1) Connector
- (1) Wall Beam Ganging Bracket
(Included in Hardware Kit)
- (1) Flap Seal
(Included in Hardware Kit)
- (1) Hardware Kit

**Net-Contain UAC Wall Beam 800mm Long, 2 Pieces****CUWBPS08ST02****

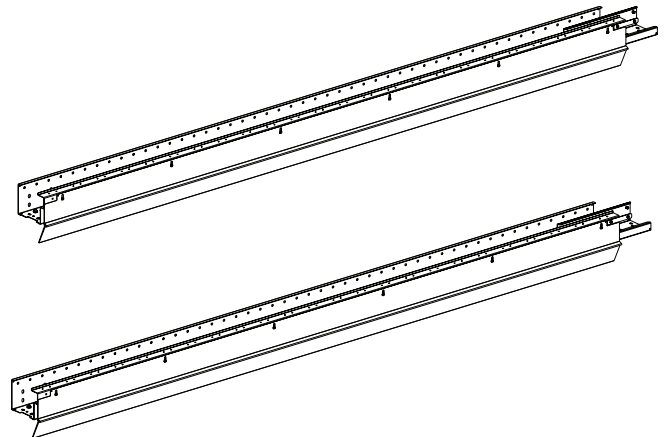
- (2) 800mm Wall Beams
- (2) 800mm Wall Beam Clamps
- (2) Connectors
- (2) Wall Beam Ganging Brackets
(Included in Hardware Kit)
- (2) Flap Seals
(Included in Hardware Kit)
- (2) Hardware Kits

**Net-Contain UAC Wall Beam 2400mm Long, 1 Piece****CUWBSS24ST01****

- (1) 2400mm Wall Beam
- (1) 2400mm Wall Beam Clamp
- (1) Connector
- (1) Wall Beam Ganging Bracket
(Included in Hardware Kit)
- (1) Flap Seal
(Included in Hardware Kit)
- (1) Hardware Kit

**Net-Contain UAC Wall Beam 2400mm Long, 2 Pieces****CUWBPS24ST02****

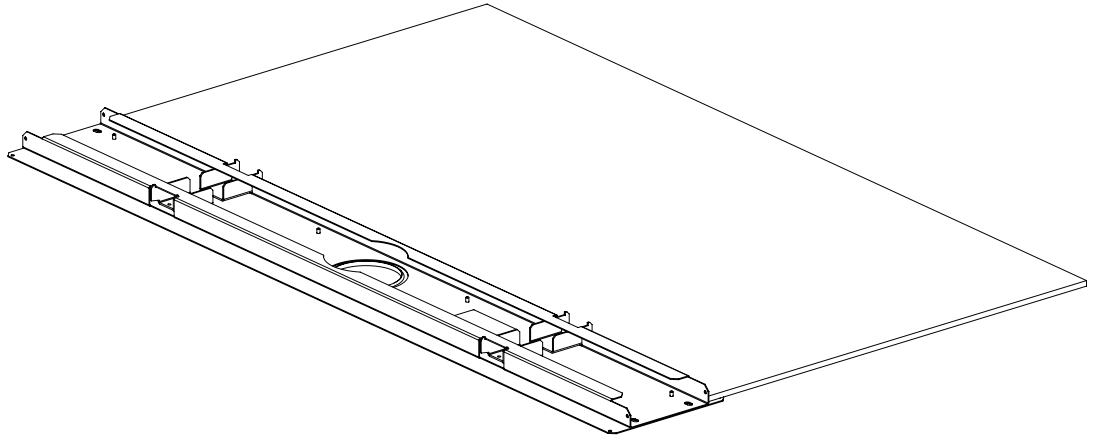
- (2) 2400mm Wall Beams
- (2) 2400mm Wall Beam Clamps
- (2) Connectors
- (2) Wall Beam Ganging Brackets
(Included in Hardware Kit)
- (2) Flap Seals
(Included in Hardware Kit)
- (2) Hardware Kits



Component Guide for Roofing Structure

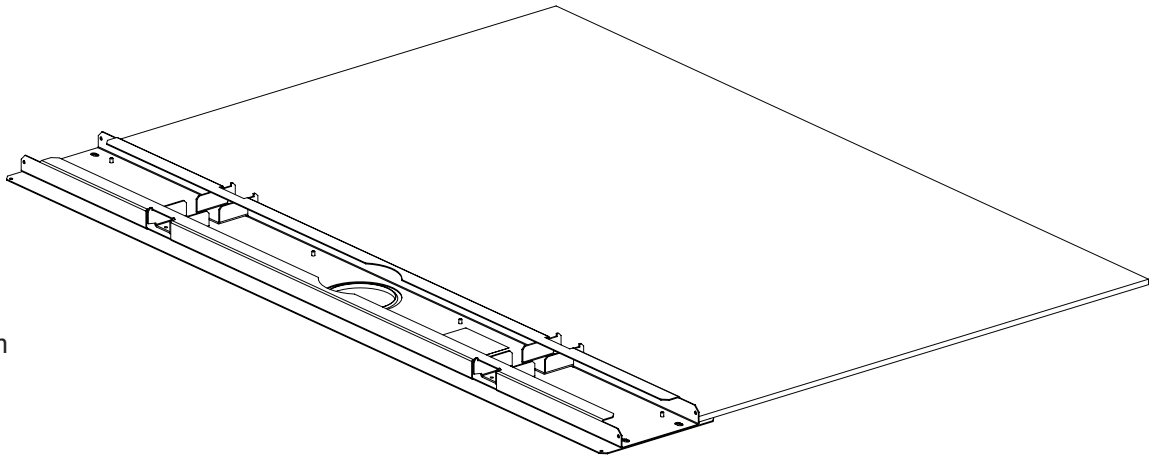
Net-Contain USRC Roof Panel 600mm

- CUSRRFS06****
(1) Half Aisle Beam
(1) Roof Panel
(1) Hardware Kit



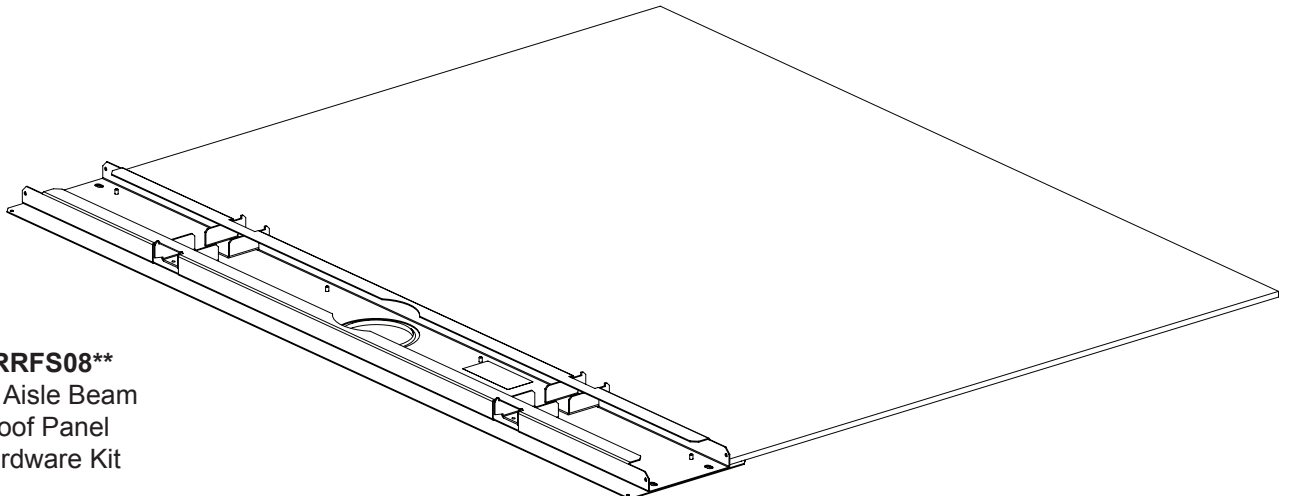
Net-Contain USRC Roof Panel 700mm

- CUSRRFS07****
(1) Half Aisle Beam
(1) Roof Panel
(1) Hardware Kit

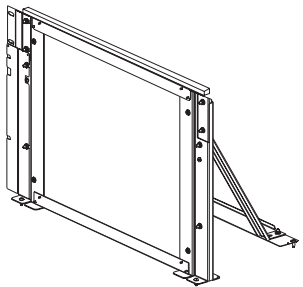
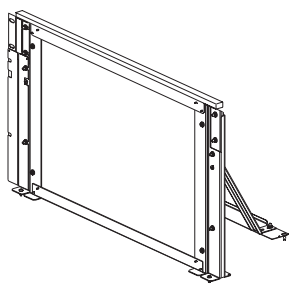
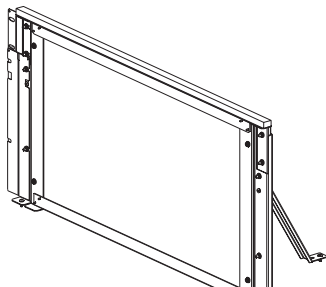
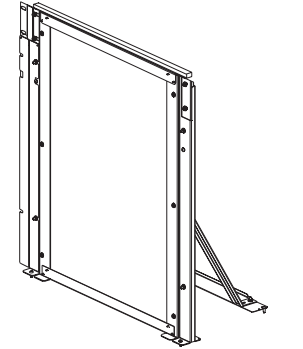
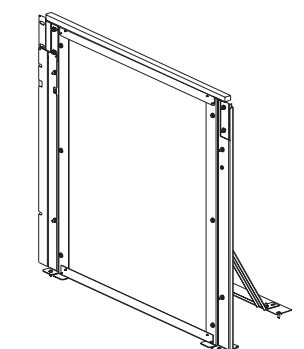
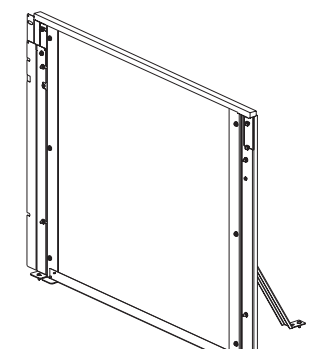
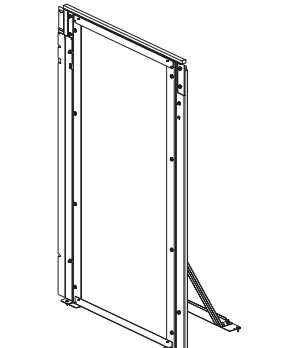
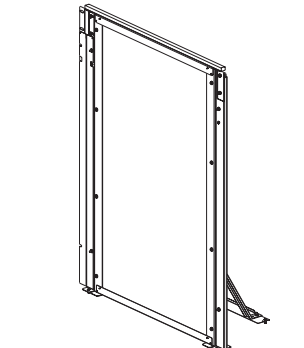
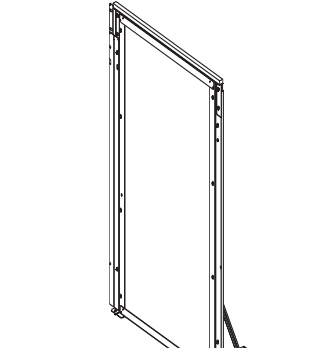


Net-Contain USRC Roof Panel 800mm

- CUSRRFS08****
(1) Half Aisle Beam
(1) Roof Panel
(1) Hardware Kit



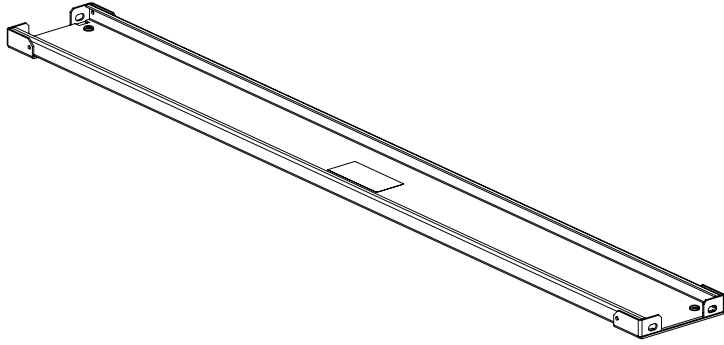
Component Guide for Vertical Wall Containment

<p>Net-Contain HAC Adjustable Vertical Wall (16" - 26") 600mm Wide</p>  <p>C2HAC06I1626** (1) Wall Assembly (600mm wide) (2) Diagonal Braces (1) Brace Bar (1) Lower Seal (1) Upper Seal (1) Hardware Kit</p>	<p>Net-Contain HAC Adjustable Vertical Wall (16" - 26") 700mm Wide</p>  <p>C2HAC07I1626** (1) Wall Assembly (700mm wide) (2) Diagonal Braces (1) Brace Bar (1) Lower Seal (1) Upper Seal (1) Hardware Kit</p>	<p>Net-Contain HAC Adjustable Vertical Wall (16" - 26") 800mm Wide</p>  <p>C2HAC08I1626** (1) Wall Assembly (800mm wide) (2) Diagonal Braces (1) Lower Seal (1) Upper Seal (1) Hardware Kit</p>
<p>Net-Contain HAC Adjustable Vertical Wall (26" - 38") 600mm Wide</p>  <p>C2HAC06I2638** (1) Wall Assembly (600mm wide) (2) Diagonal Braces (1) Brace Bar (1) Lower Seal (1) Upper Seal (1) Hardware Kit</p>	<p>Net-Contain HAC Adjustable Vertical Wall (26" - 38") 700mm Wide</p>  <p>C2HAC07I2638** (1) Wall Assembly (700mm wide) (2) Diagonal Braces (1) Brace Bar (1) Lower Seal (1) Upper Seal (1) Hardware Kit</p>	<p>Net-Contain HAC Adjustable Vertical Wall (26" - 38") 800mm Wide</p>  <p>C2HAC08I2638** (1) Wall Assembly (800mm wide) (2) Diagonal Braces (1) Lower Seal (1) Upper Seal (1) Hardware Kit</p>
<p>Net-Contain HAC Adjustable Vertical Wall (38" - 66") 600mm Wide</p>  <p>C2HAC06I3866** (1) Wall Assembly (600mm wide) (2) Diagonal Braces (1) Brace Bar (1) Lower Seal (1) Upper Seal (1) Hardware Kit</p>	<p>Net-Contain HAC Adjustable Vertical Wall (38" - 66") 700mm Wide</p>  <p>C2HAC07I3866** (1) Wall Assembly (700mm wide) (2) Diagonal Braces (1) Brace Bar (1) Lower Seal (1) Upper Seal (1) Hardware Kit</p>	<p>Net-Contain HAC Adjustable Vertical Wall (38" - 66") 800mm Wide</p>  <p>C2HAC08I3866** (1) Wall Assembly (800mm wide) (2) Diagonal Braces (1) Lower Seal (1) Upper Seal (1) Hardware Kit</p>

For Technical Support: www.panduit.com/resources/install_maintain.asp

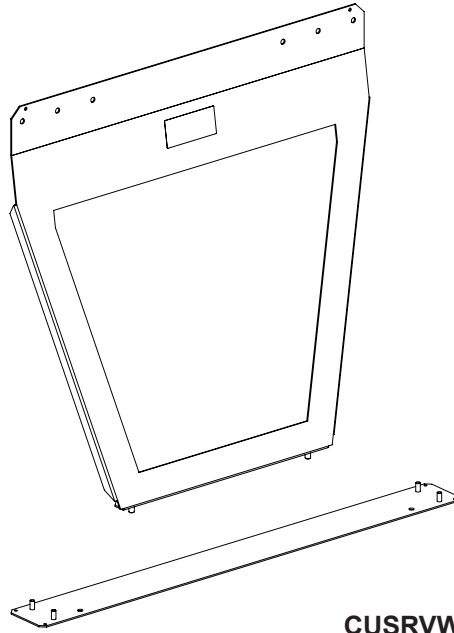
Component Guide for Wall Adapters and Vertical Wall Brace

Net-Contain USRC Vertical Wall Brace



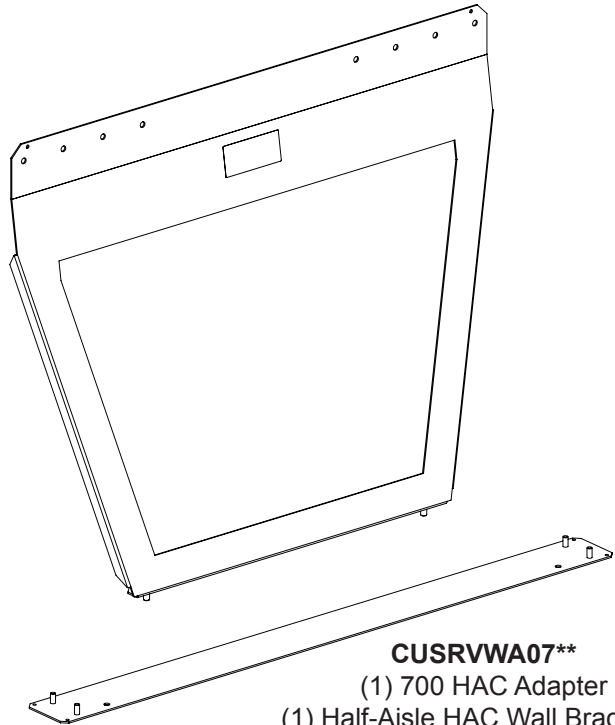
CUSRVWB**
(1) Vertical Wall Brace
(1) Hardware Kit

Net-Contain USRC Vertical Wall Adapter 600mm Wide



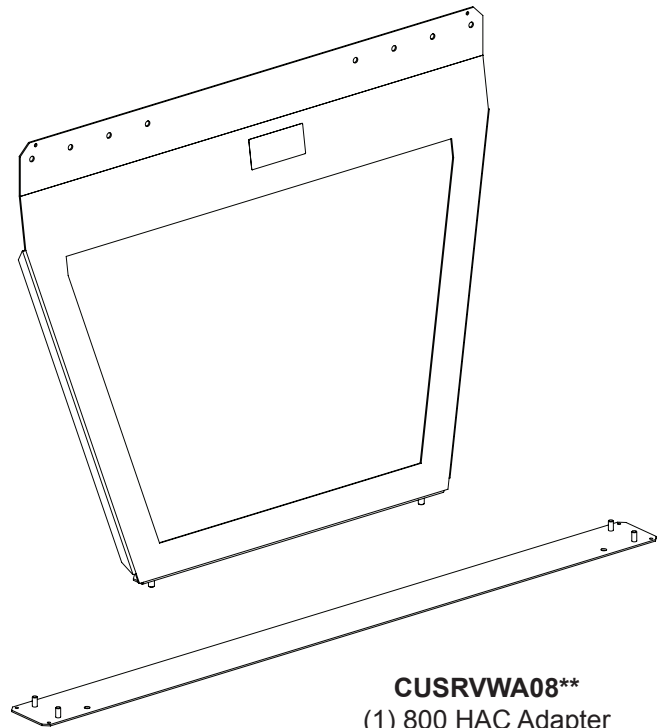
CUSRVWA06**
(1) 600 HAC Adapter
(1) Half-Aisle HAC Wall Brace 600
(1) Hardware Kit

Net-Contain USRC Vertical Wall Adapter 700mm Wide



CUSRVWA07**
(1) 700 HAC Adapter
(1) Half-Aisle HAC Wall Brace 700
(1) Hardware Kit

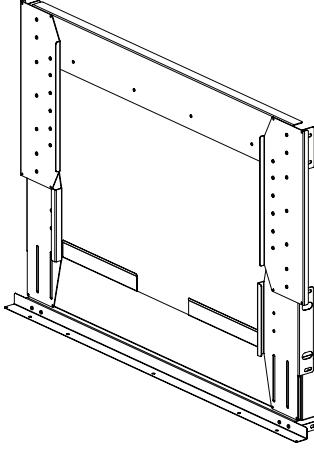
Net-Contain USRC Vertical Wall Adapter 800mm Wide



CUSRVWA08**
(1) 800 HAC Adapter
(1) Half-Aisle HAC Wall Brace 700
(1) Hardware Kit

Component Guide for End-of-Row Walls

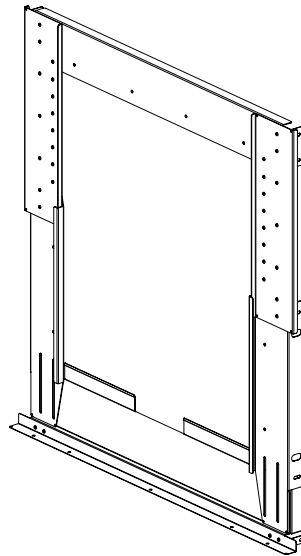
Net-Contain USRC Adjustable End-of-Row Vertical Wall (16" - 26")



CUSRVWER1626**

- (1) End of Row Cross Beam Half Aisle Upper
- (2) End of Row Upper Side Frame 1626
- (2) End of Row Lower Side Frame 1626
 - (1) Lower Panel
 - (2) Corner Seal
 - (2) 1200 Bracket
- (2) End of Row 200mm Panel Clamp
- (4) End of Row 40mm Panel Clamp
- (1) USRC HAC Panel
- (1) Hardware Kit

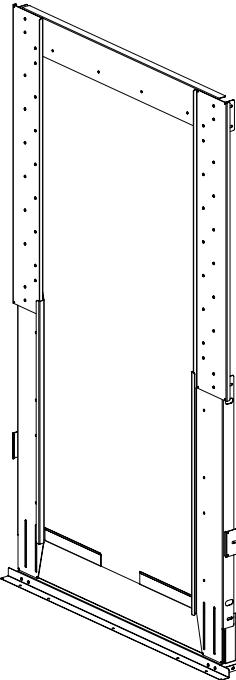
Net-Contain USRC Adjustable End-of-Row Vertical Wall (26" - 38")



CUSRVWER2638**

- (1) End of Row Cross Beam Half Aisle Upper
- (2) End of Row Upper Side Frame 2638
- (2) End of Row Lower Side Frame 2638
 - (1) Lower Panel
 - (2) Corner Seal
 - (2) 1200 Bracket
- (4) End of Row 200mm Panel Clamp
- (2) End of Row 40mm Panel Clamp
- (1) USRC HAC Panel
- (1) Hardware Kit

Net-Contain USRC Adjustable End-of-Row Vertical Wall (38" - 66")

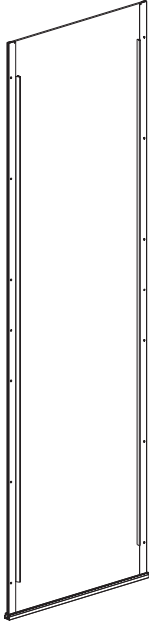


CUSRVWER3866**

- (1) End of Row Cross Beam Half Aisle Upper
- (2) End of Row Upper Side Frame 3866
- (2) End of Row Lower Side Frame 3866
 - (2) End of Row Side Clamp
 - (1) Lower Panel
 - (2) Corner Seal
 - (2) 1200 Bracket
- (6) End of Row 200mm Panel Clamp
- (4) End of Row 100mm Panel Clamp
- (1) USRC HAC Panel
- (1) Hardware Kit

Component Guide for Blanking Panels

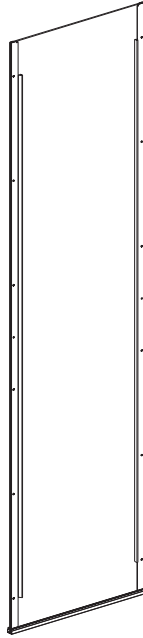
Net-Contain UAC Full Blanking Panel 42RU X 600mm Wide



CUFBPR4206HB**

- (1) 42RU Blanking Panel
- (1) Wiring Duct
- (1) Hardware Kit

Net-Contain UAC Full Blanking Panel 45RU X 600mm Wide



CUFBPR4506HB**

- (1) 45RU Blanking Panel
- (1) Wiring Duct
- (1) Hardware Kit

Net-Contain UAC Full Blanking Panel 48RU X 600mm Wide



CUFBPR4806HB**

- (1) 48RU Blanking Panel
- (1) Wiring Duct
- (1) Hardware Kit

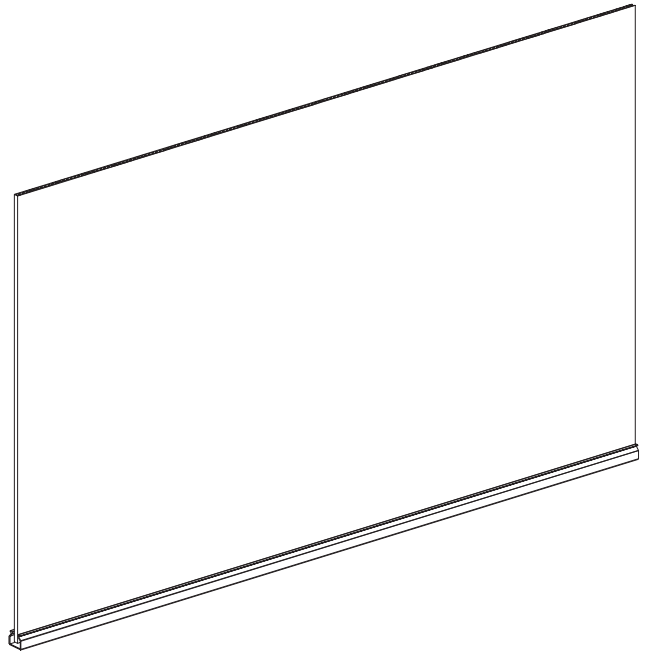
Net-Contain UAC Full Blanking Panel 52RU X 600mm Wide



CUFBPR5206HB**

- (1) 52RU Blanking Panel
- (1) Wiring Duct
- (1) Hardware Kit

Net-Contain UAC Top of Cabinet Blanking Panel 600mm High X 1000mm Wide

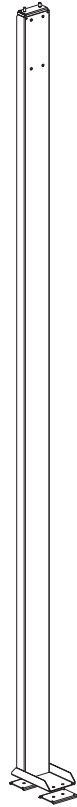


CUTBPR0610HB**

- (1) 600mm Blanking Panel
- (1) Wiring Duct
- (1) Hardware Kit

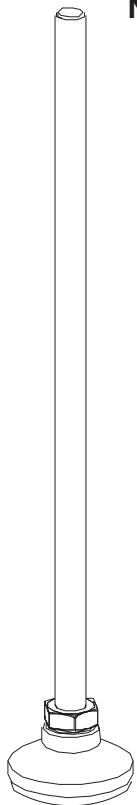
Component Guide for Mid Row Support

**Net-Contain UAC Mid-Span Post
42RU to 52RU High**



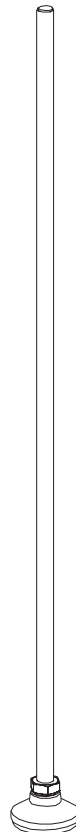
CUSMPR52ST01**
(1) Support Bracket
(1) Support Post
(2) Plates
(1) Hardware Kit

**Net-Contain UAC Mid-Span Cabinet
Support, 300mm High**



CUCMSS03ST01NC
(1) 300mm Long Threaded Rod
(1) Swivel Leveling Mount
(1) Hardware Kit

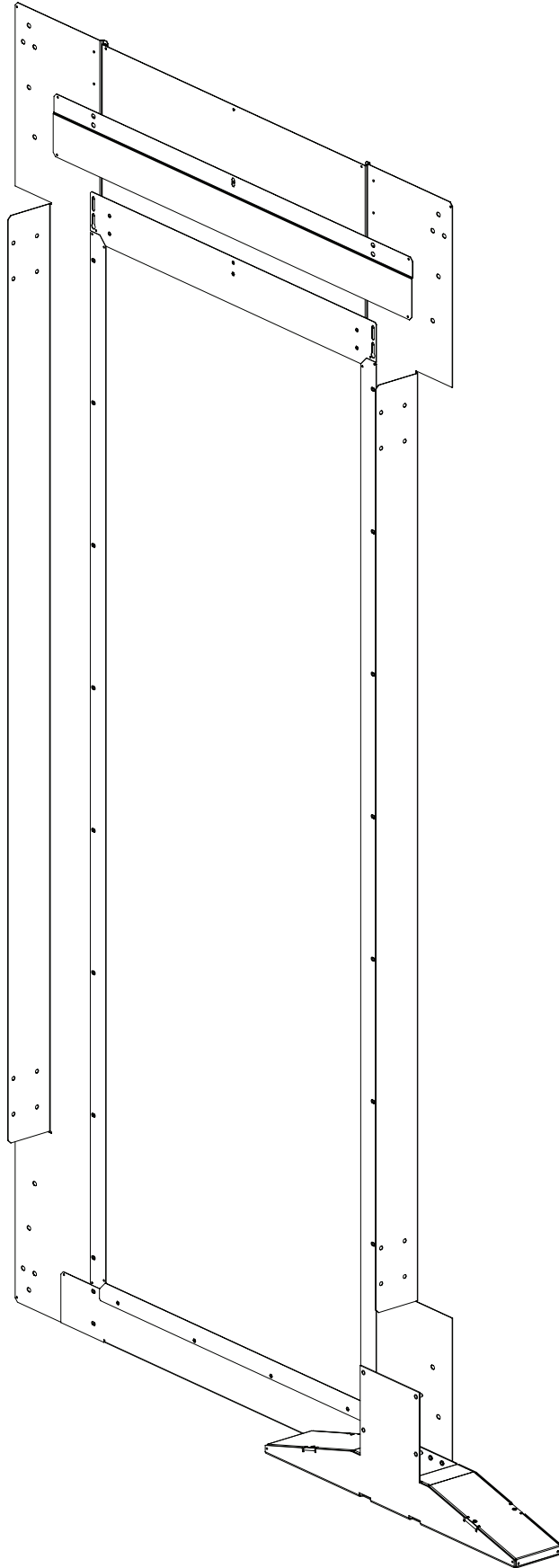
**Net-Contain UAC Mid-Span Cabinet
Support, 600mm High**



CUCMSS06ST01NC
(1) 600mm Long Threaded Rod
(1) Swivel Leveling Mount
(1) Hardware Kit

Component Guide for End of Row Cap

Net-Contain USRC - End of Row Cap

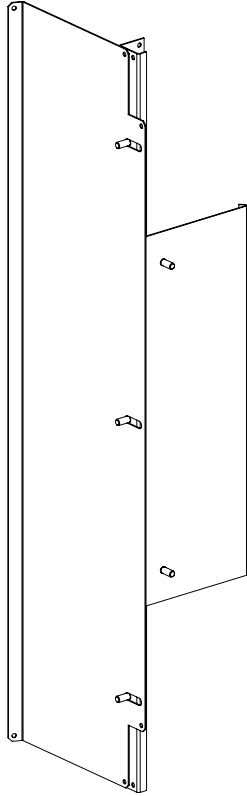


- CUSREORCP****
- (1) End Cap Base
 - (2) End Cap Clamp
 - (2) End Cap Post
 - (1) End Cap Header
 - (2) End Cap Foot Cover
 - (1) End Cap Foot
 - (1) End Cap Shield
 - (1) USRC End Cap Panel
 - (1) Hardware Kit

Component Guide for Beam-to-Wall Seal Kits

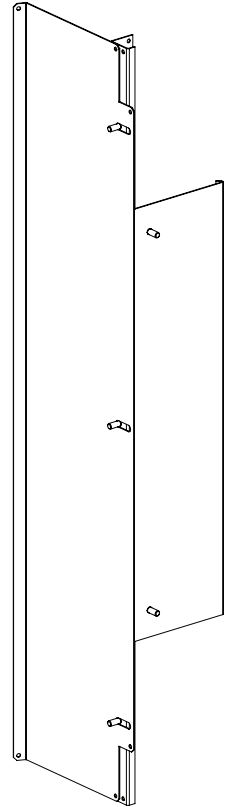
Net-Contain USRC Wall Beam-to-Wall Seal Kit 600mm

- CUSRWSK06****
(1) Beam Seal Bracket 600
(1) 600mm Beam Clamp, Long
(1) Hardware Kit



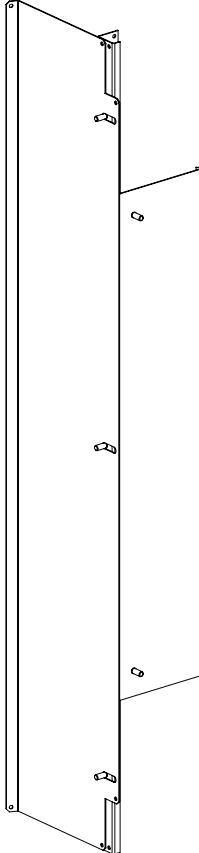
Net-Contain USRC Wall Beam-to-Wall Seal Kit 700mm

- CUSRWSK07***
(1) Beam Seal Bracket 700
(1) 700mm Beam Clamp, Long
(1) Hardware Kit



Net-Contain USRC Wall Beam-to-Wall Seal Kit 800mm

- CUSRWSK08****
(1) Beam Seal Bracket 800
(1) 800mm Beam Clamp, Long
(1) Hardware Kit



Net-Contain USRC Wall Beam-to-Wall Seal Kit 2400mm

- CUSRWSK24****
(1) Beam Seal Bracket 2400
(1) 2400mm Beam Clamp, Long
(2) Hardware Kit

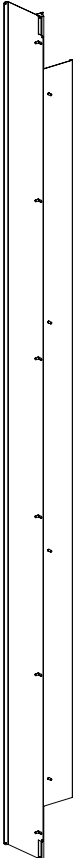


Table of Contents

SECTION 1A	17
<i>Installation of the USRC End of Row Frames</i>	
Floor Layout for Containment System	18
Attaching Foot Bases to Floor	20
Attaching Cabinet Side Post	21
Attaching Wall Side Post	22
Attaching Frame Portion of Door Brackets.....	23
Attaching 42RU Hangers and Supports	24
Attaching 45RU Hangers and Supports	25
Attaching 48RU Post Extensions and Supports	26
Attaching 52RU Post Extensions, Supports, and 52 Spacers	27
Attaching Single Row End Beams	28
Attaching Post Seals	29
Attaching Post Foot Covers	36
Remaining components to be assembled in later steps	37
SECTION 1B	38
<i>Installation of the USRC End of Row Frames</i>	
<i>when converting to a UAC 900mm Aisle Width</i>	
Attaching Foot Bases to Floor	40
Attaching Post to Post Foot	41
Attaching Frame Portion of Door Brackets.....	42
Attaching 42RU Hangers and Supports	43
Attaching 45RU Hangers and Supports	44
Attaching 48RU Post Extensions and Supports	45
Attaching 52RU Post Extensions, Supports, and 52 Spacers	46
Attaching Single Row End Beams	47
Attaching Post Foot Covers	48
Remaining components to be assembled in later steps	49
Remaining components that are unused	50

Note: Remainder of Installation Instructions apply to both the USRC Containment System and the UAC 900mm Aisle Width Containment System

SECTION 2.....51

*Installation of the Wall Beam,
Mid-Span Support Post & Cabinet Support,
and Wall Beam-to-Wall Seal Kit*

Aligning Wall Beams52

Attaching Wall Beams together53

Attaching Wall Beam Assembly to End of Row Frames55

Securing Wall Beam Assembly56

Mid-Span Support for Wall Beams57

Supporting Wall Beams using Mid-Span Cabinet Support57

Supporting Wall Beams using Threaded Rod57

Location for Mid-Span Support Post (optional).....58

Attaching Support Bracket to Support Post.....59

Attaching Mid-Span Support Post to Wall Beam60

Attaching Support Post to floor.....61

Attaching Roofing Beam (Included with the End of Row Frame).....62

Attaching Wall Beam Clamp (For cabinet side of containment only).....63

Attaching Wall Beam-to-Wall Seal Kit65

SECTION 3.....70

Installation of the USRC Roofing Panels

Attaching USRC Roofing Aisle Beam71

Placing Roofing Panel.....72

Secure USRC Roofing Beam73

Secure Roofing Panel74

SECTION 4.....75

*Installation of the USRC Vertical Walls,
Vertical Wall Adapters, and Vertical Wall Brace*

Install Vertical Wall Brace.....76

Install Vertical Wall Adapters77

Attaching Vertical Wall Adapter to Vertical Wall78

Applying Foam Seal to Vertical Wall.....79

Installing Vertical Walls80

Setting Wall Panel Height81

Size and Attach Upper Seal82

Attaching Foam to Lower Seal84

Attaching Lower Seal85

SECTION 5	86
<i>Installation of the USRC Adjustable End-of-Row Vertical Walls</i>	
Attaching Lower Panel.....	87
Attaching Lower Side Frames.....	88
Attaching Corner Seals and 1200 Brackets.....	89
Attaching Upper Cross Beam.....	90
Attaching Foam Seal to Upper Side Frame.....	91
Attaching Upper Side Frame.....	92
Measure and Cut Wall Panel.....	93
Install Wall Panel into Lower Panel.....	94
Attach Panel Clamps.....	95
SECTION 6	96
<i>Installation of the USRC Single Sliding Doors</i>	
Attaching Door Portion of Door Brackets to the Door (Part of the End of Row Frame).....	97
Attaching Door to End of Row Frame.....	98
Attaching Door Guide to floor.....	100
Attaching Transom (Part of the End of Row Frame).....	101
Attaching Transom Seal (Part of the End of Row Frame).....	101
SECTION 7	102
<i>Installation of the USRC End of Row Cap</i>	
Floor Layout for End of Row Cap.....	103
Attaching End Cap Foot to Floor (Optional).....	104
Attaching End of Row Cap Post.....	105
Attaching End of Row Cap Base Assembly.....	107
Attaching End of Row Cap Header Assembly.....	108
Attaching Panel with End Cap Clamps.....	110
Attaching End Cap Shield.....	111
SECTION 8	113
<i>Installation of the USRC Blanking Panels</i>	
Placement of first Lower Guides.....	114
Placement of additional Lower Guides.....	115
Installing Blanking Panels.....	116
Overlapping Blanking Panels.....	118
Cutting Blanking Panels.....	119
Cutting Blanking Panels for above cabinet.....	120
Placement of Lower Guides on top of cabinet.....	121
Installing the Blanking Panel above a Cabinet.....	122

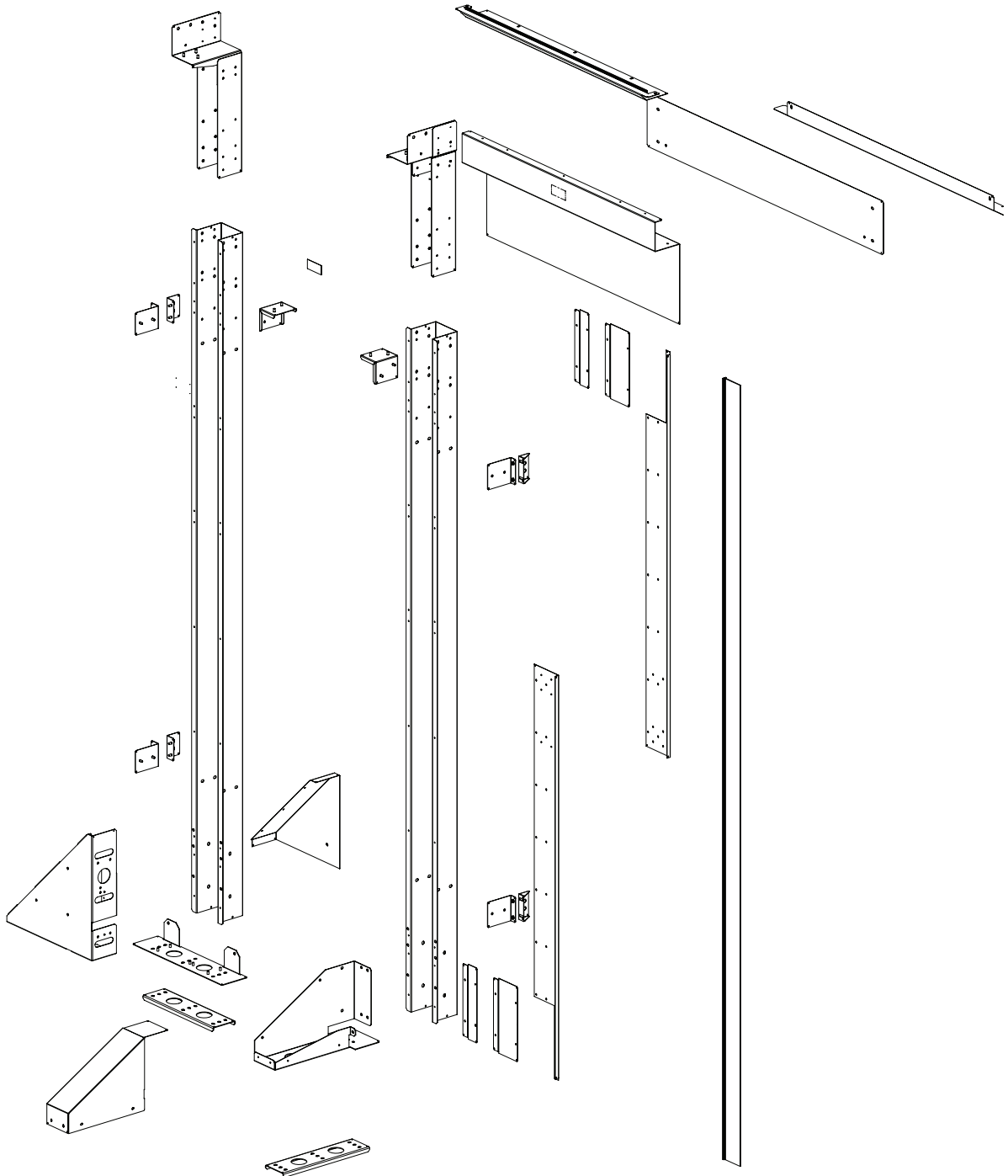
SECTION 1A

Installation of the USRC End of Row Frames

Part Number(s)

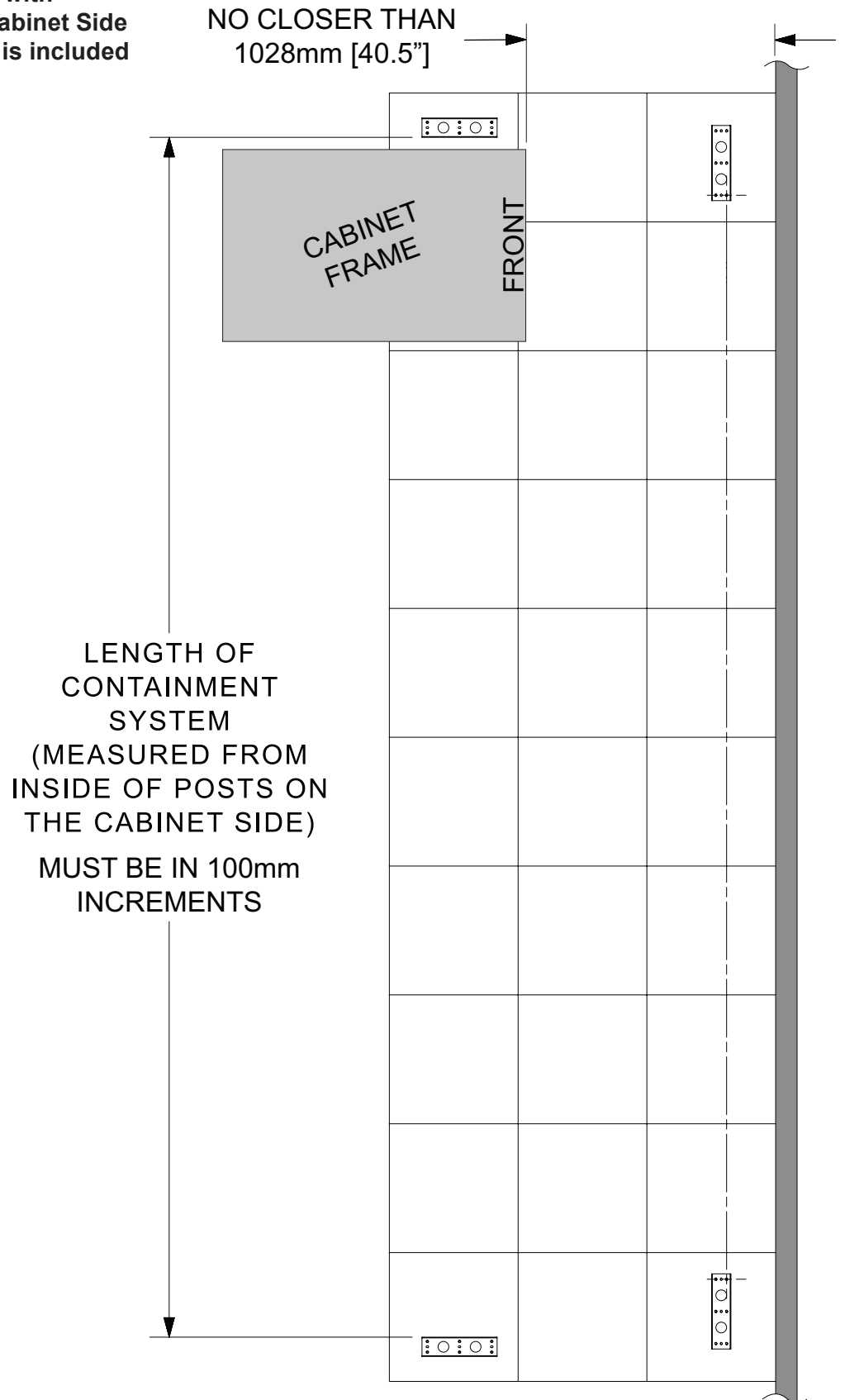
CUSREFRT8**

CUSREFRT9**

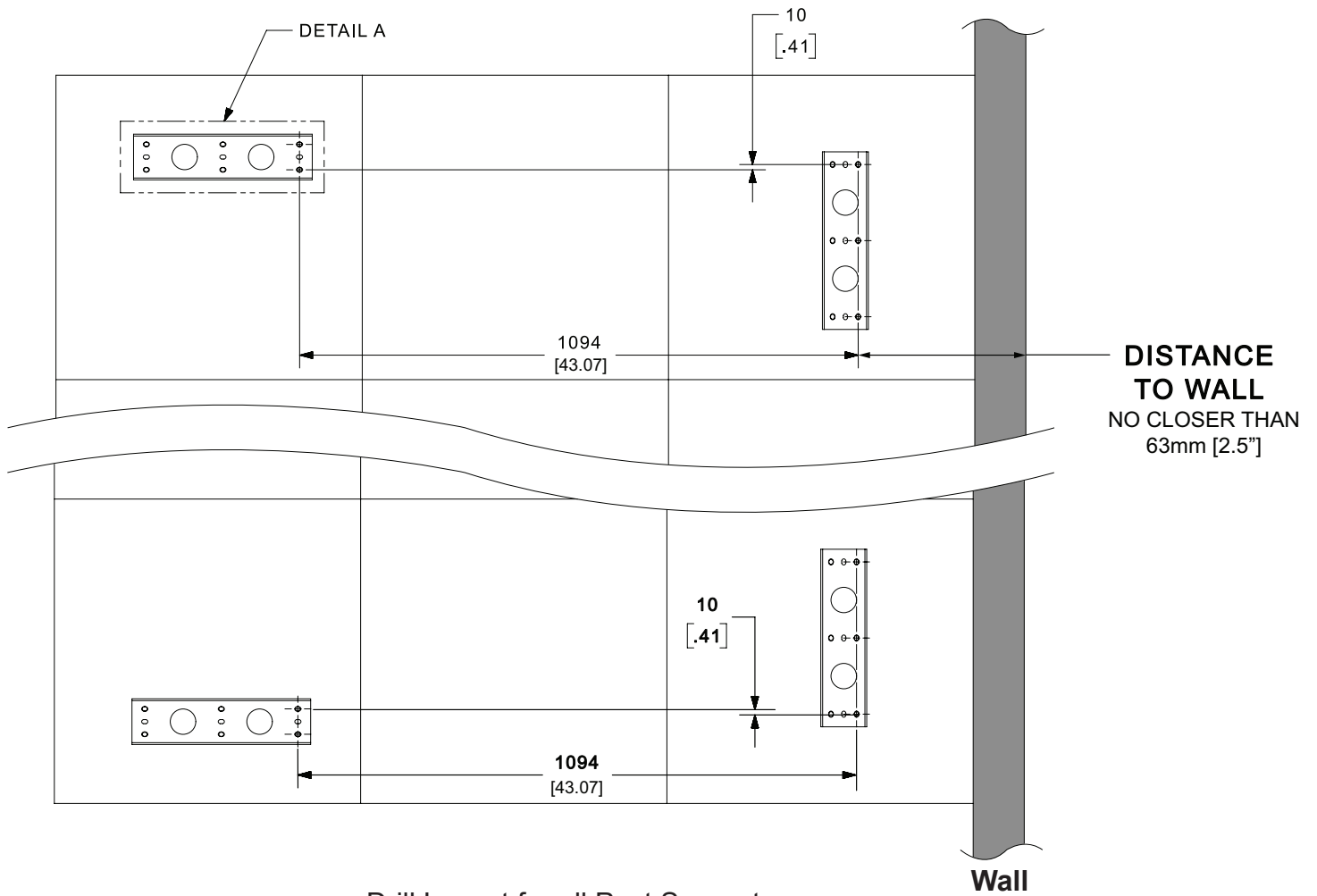


Floor Layout for Containment System

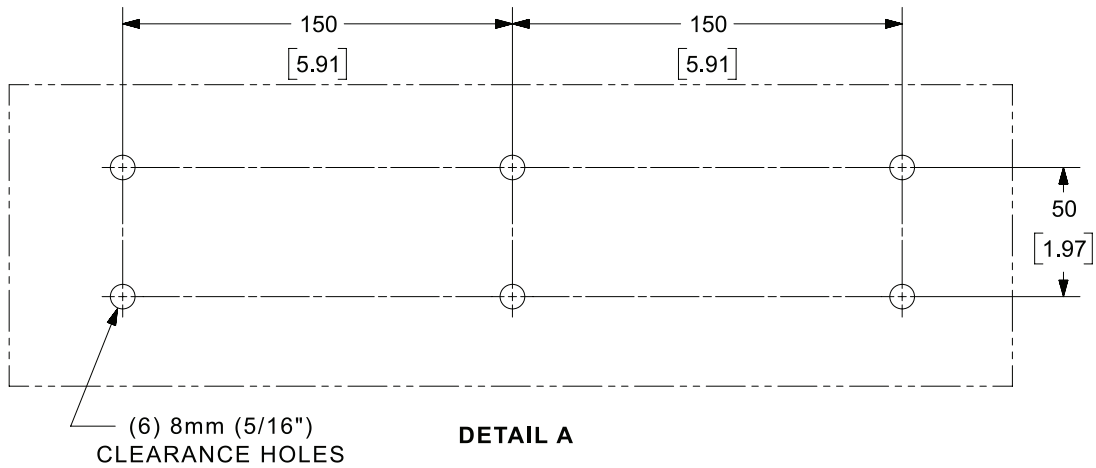
Note: If using an End of Row Cap with limited access for securing the Cabinet Side Post Foot, an alternate Post Foot is included with the End of Row Cap.
(See pages 91 & 92)



Typical layout between Wall-Side and Cabinet-Side Post Supports

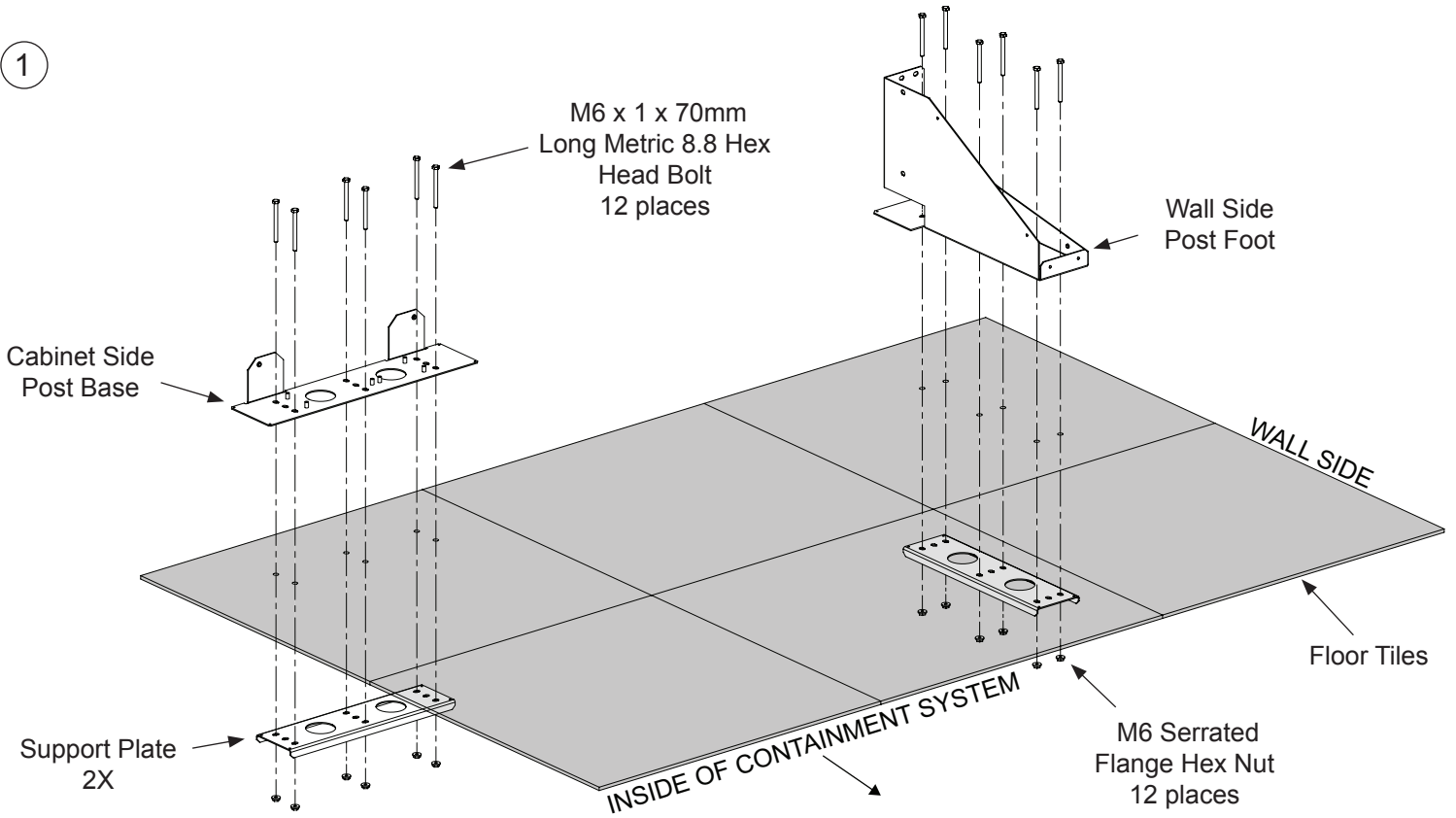


Drill Layout for all Post Supports

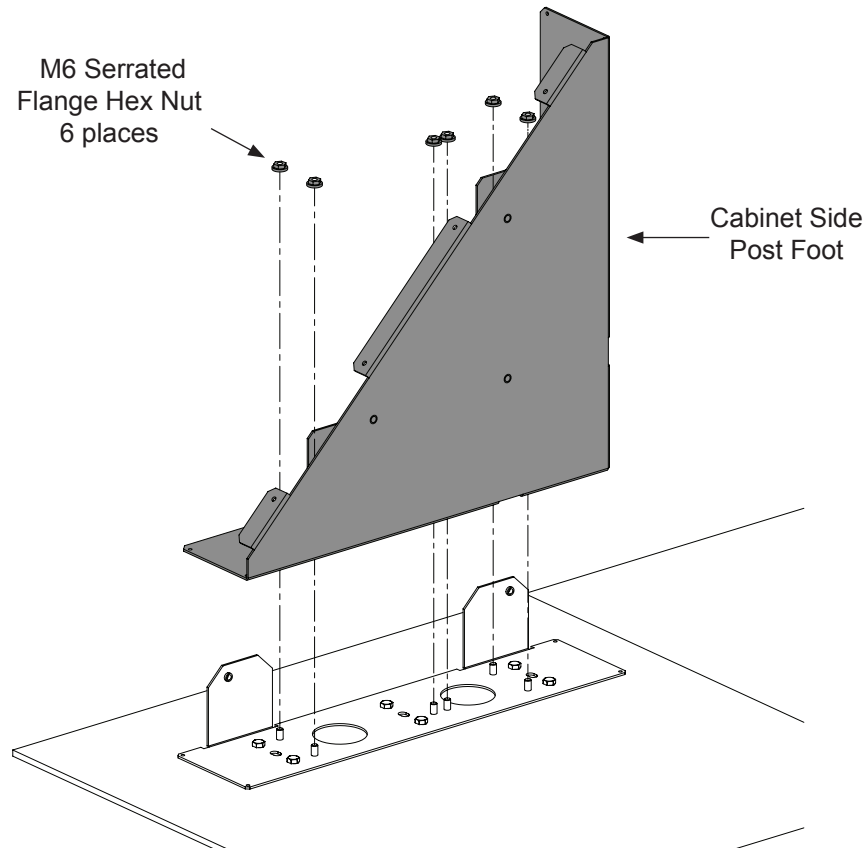


Attaching Foot Bases to Floor

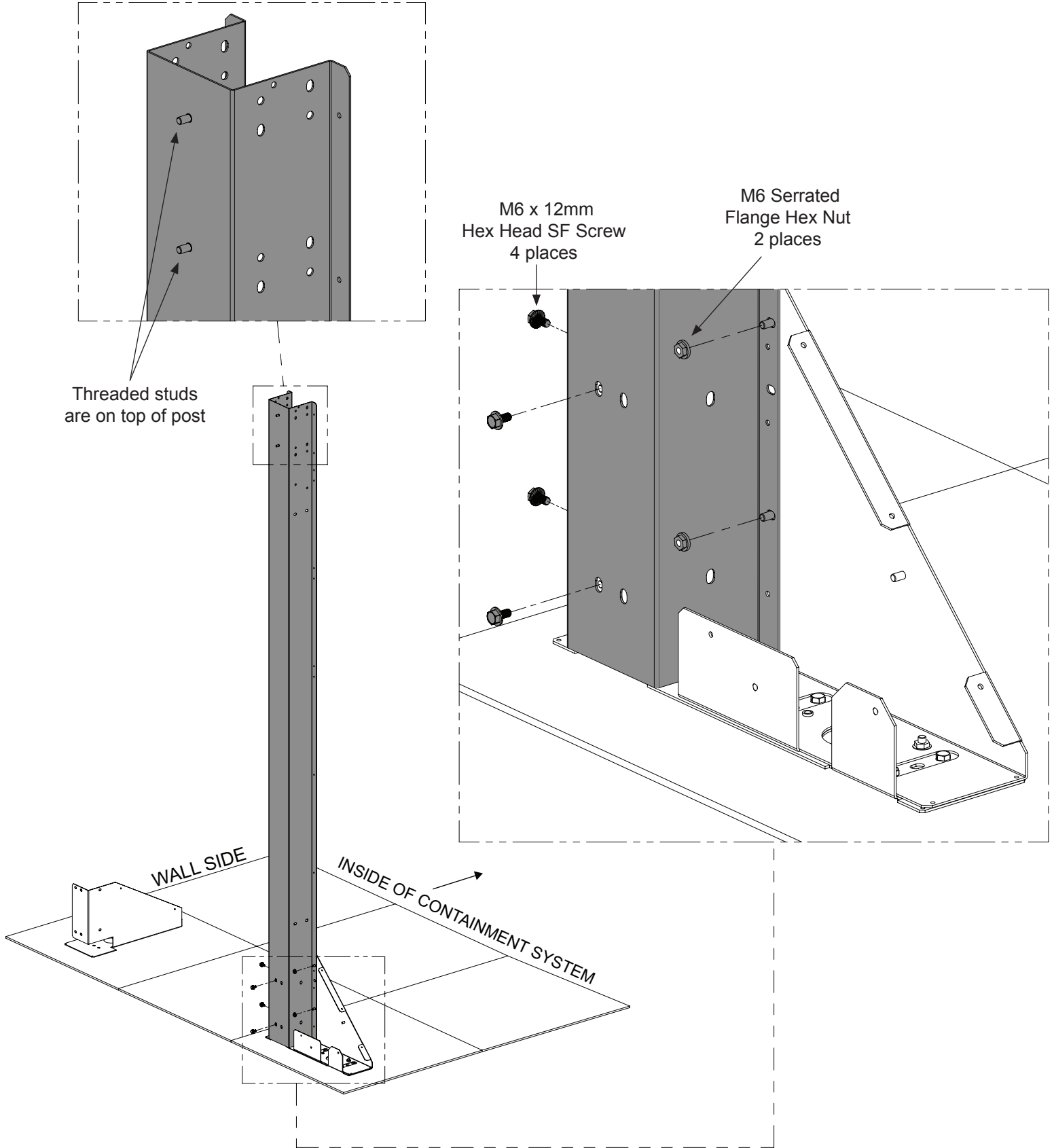
1



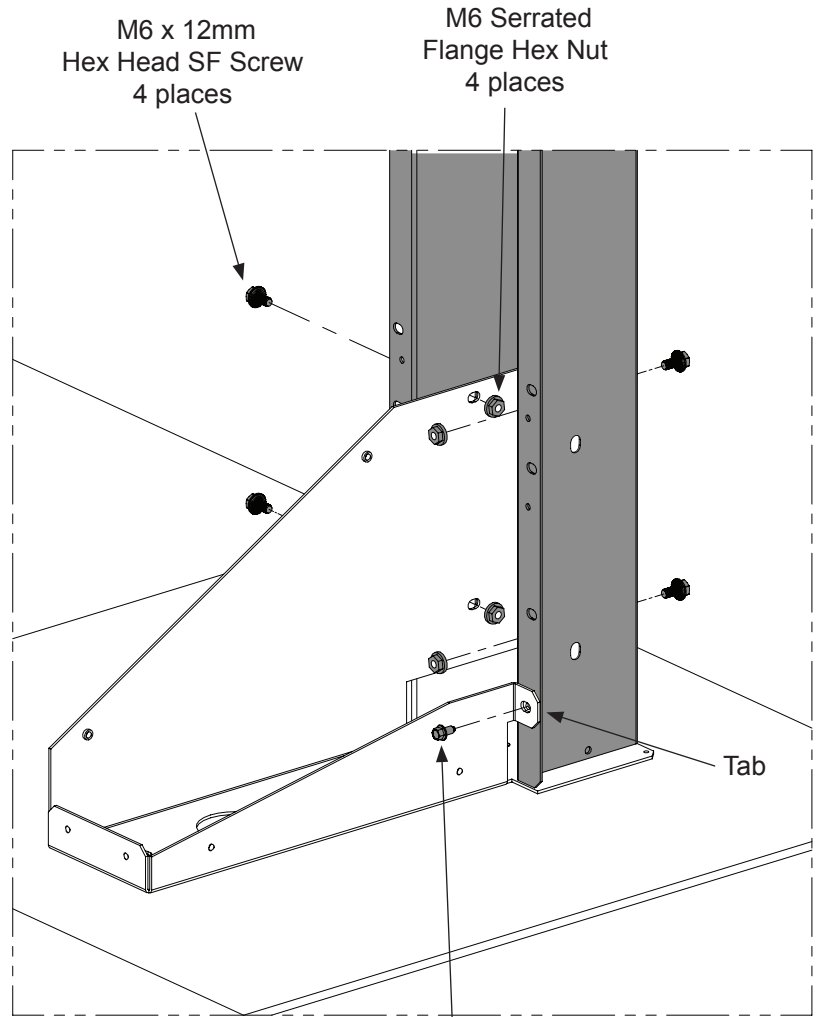
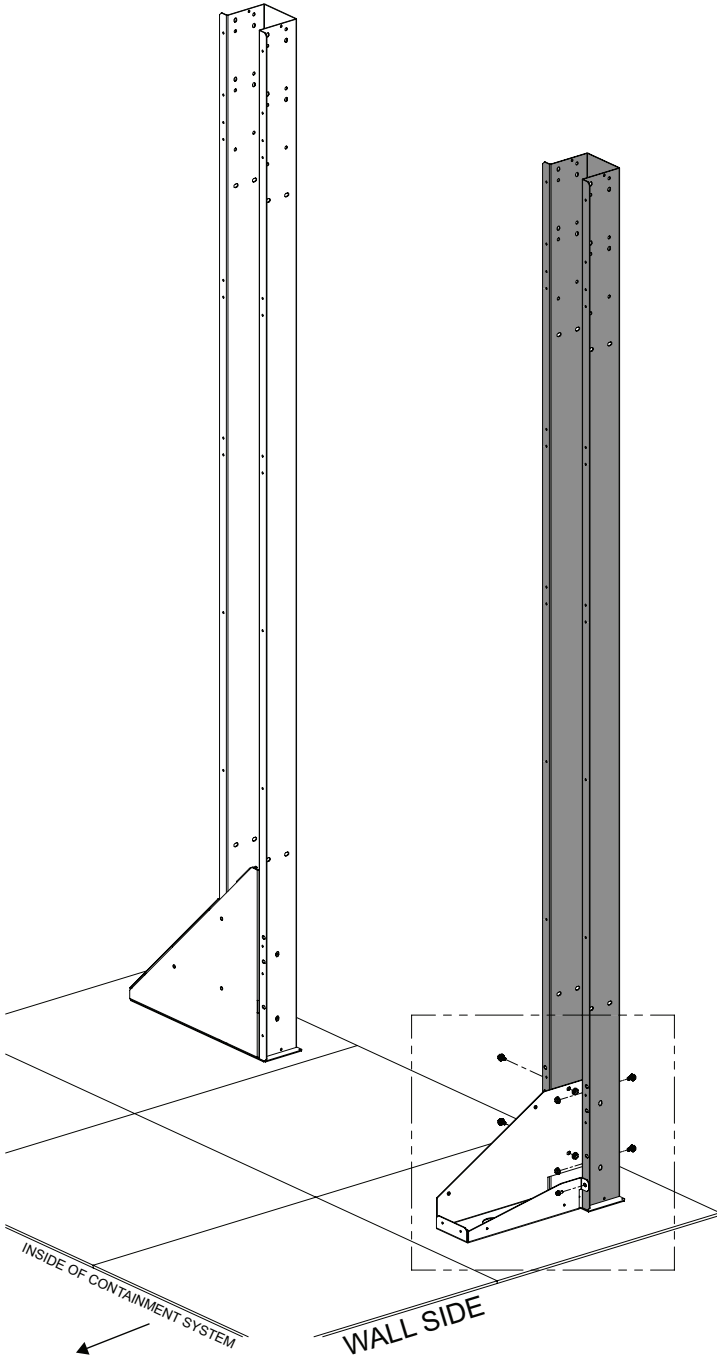
2



Attaching Cabinet Side Post



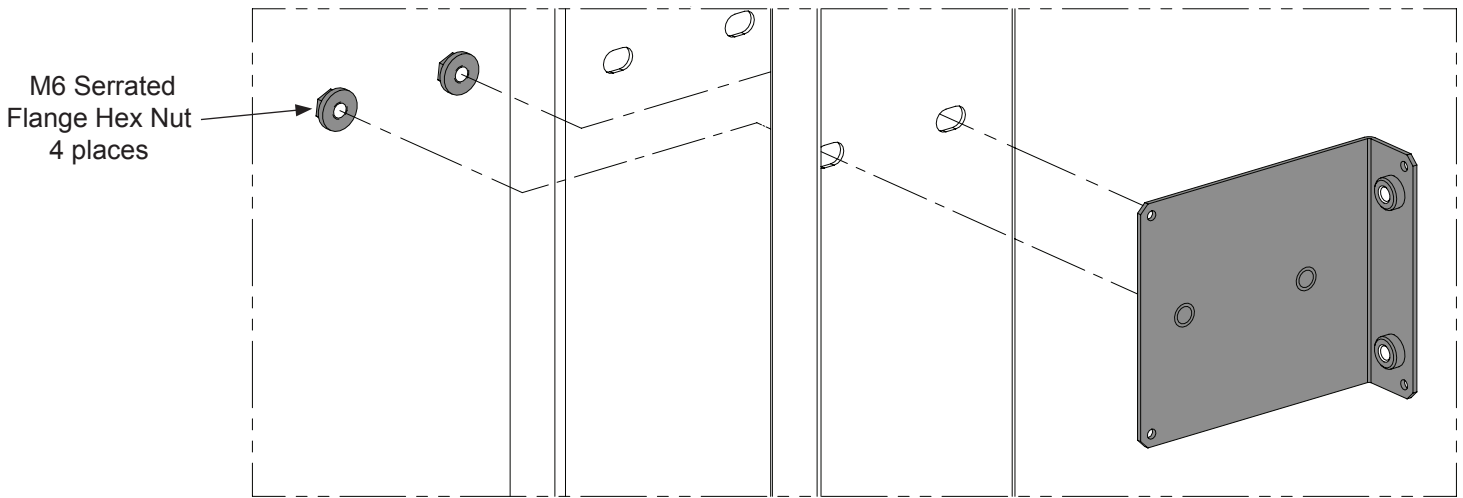
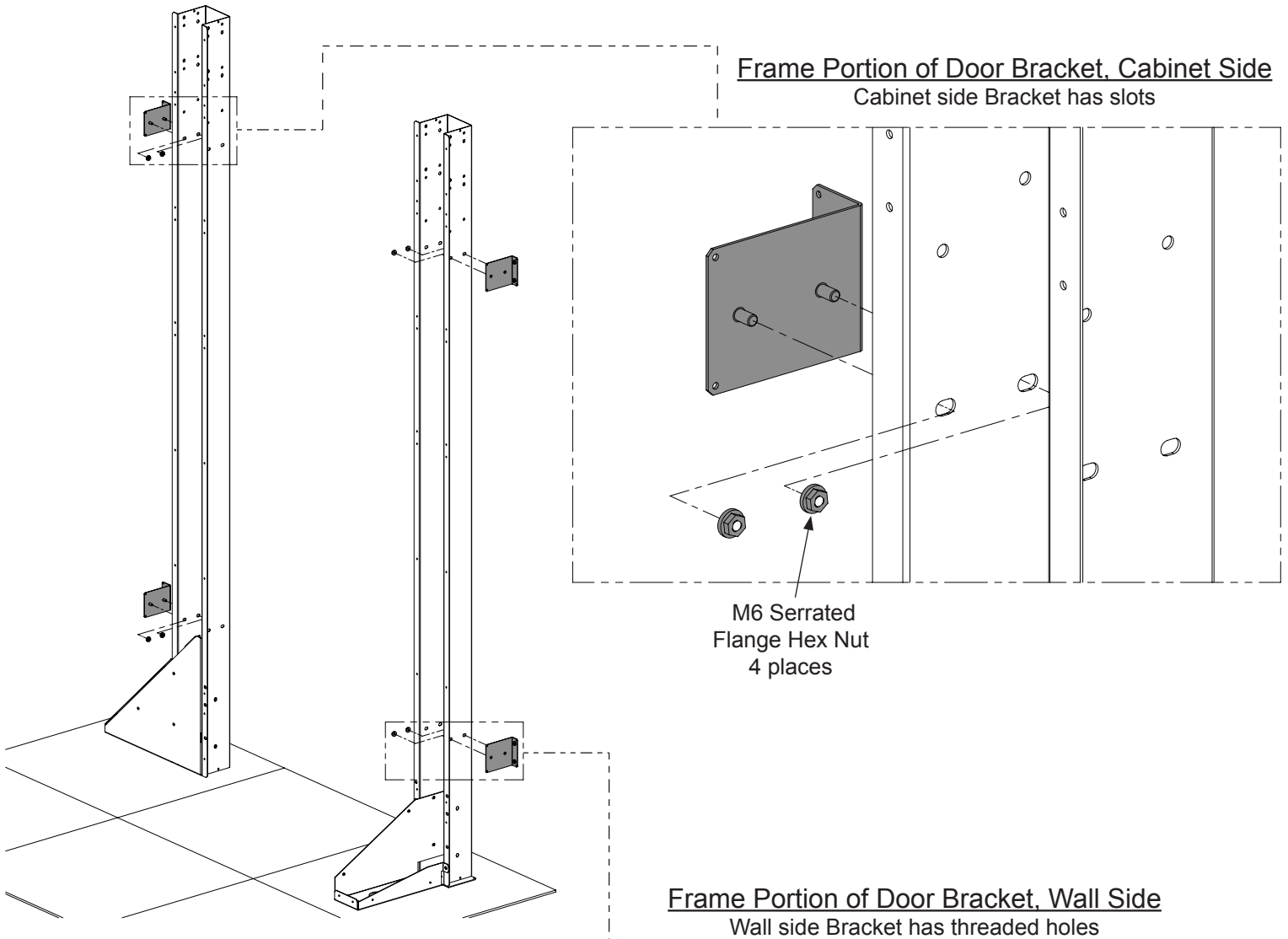
Attaching Wall Side Post



M5 x 0.8mm
Hex Head Trilobular Screw
1 place

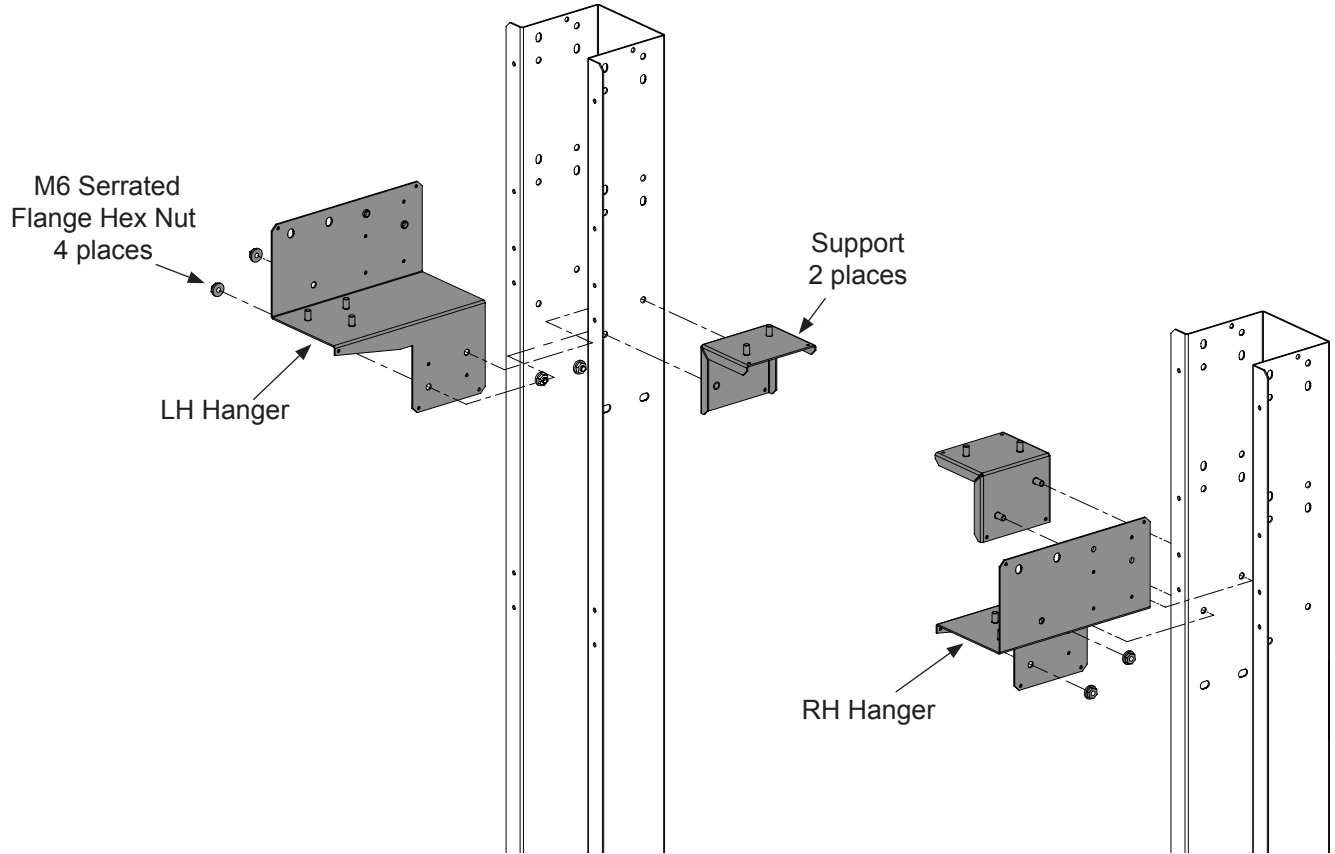
Note: Tab on the Post Foot can face towards the outside or inside of the Containment depending on LH or RH application.

Attaching Frame Portion of Door Brackets

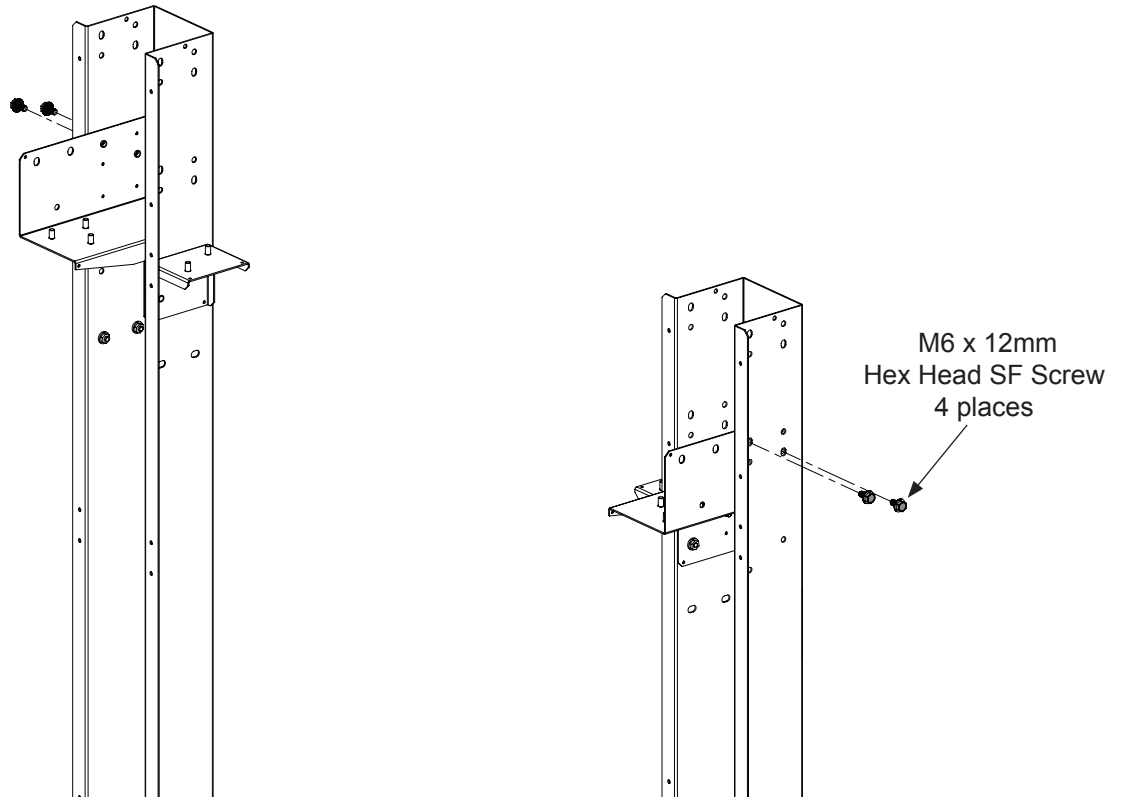


Attaching 42RU Hangers and Supports

1



2



Attaching 45RU Hangers and Supports

1

M6 Serrated
Flange Hex Nut
4 places

LH Hanger

Support
2 places

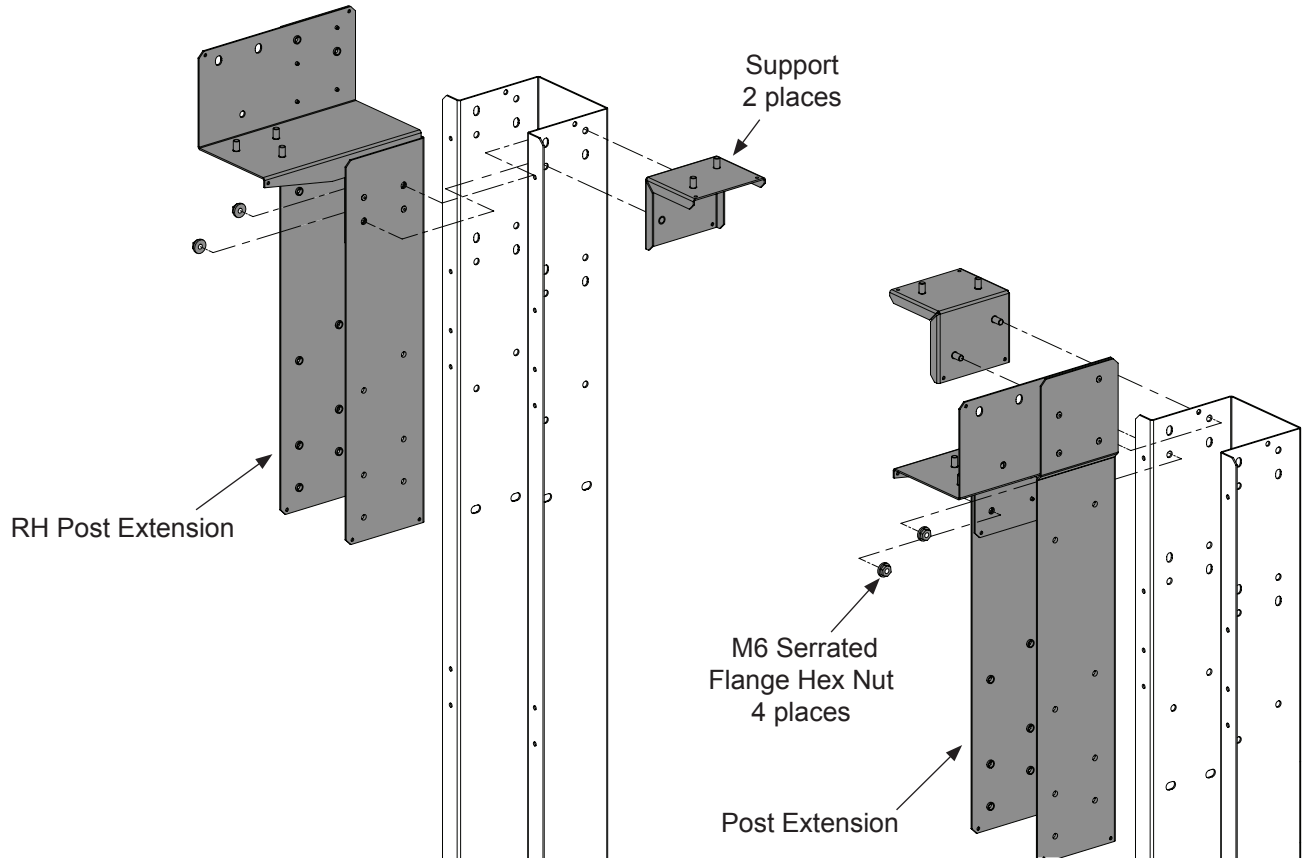
RH Hanger

2

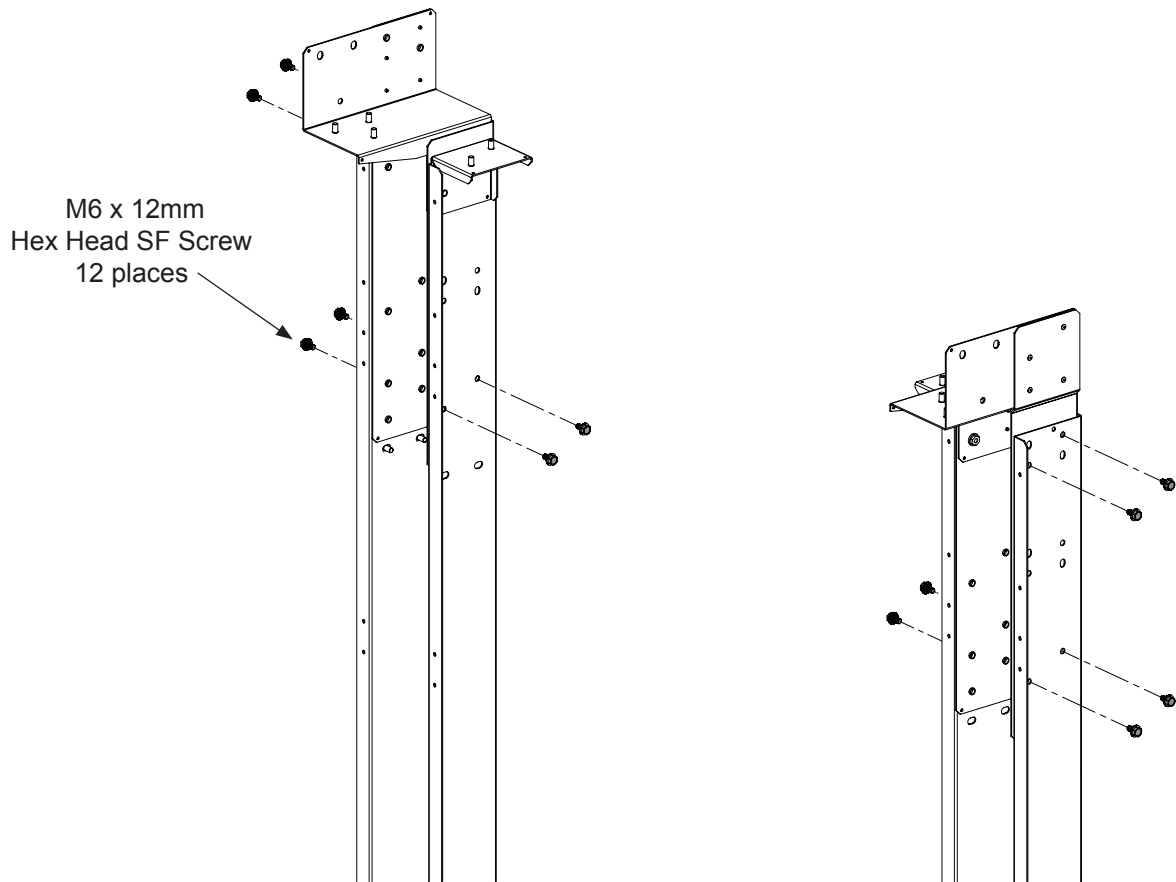
M6 x 12mm
Hex Head SF Screw
4 places

Attaching 48RU Post Extensions and Supports

1

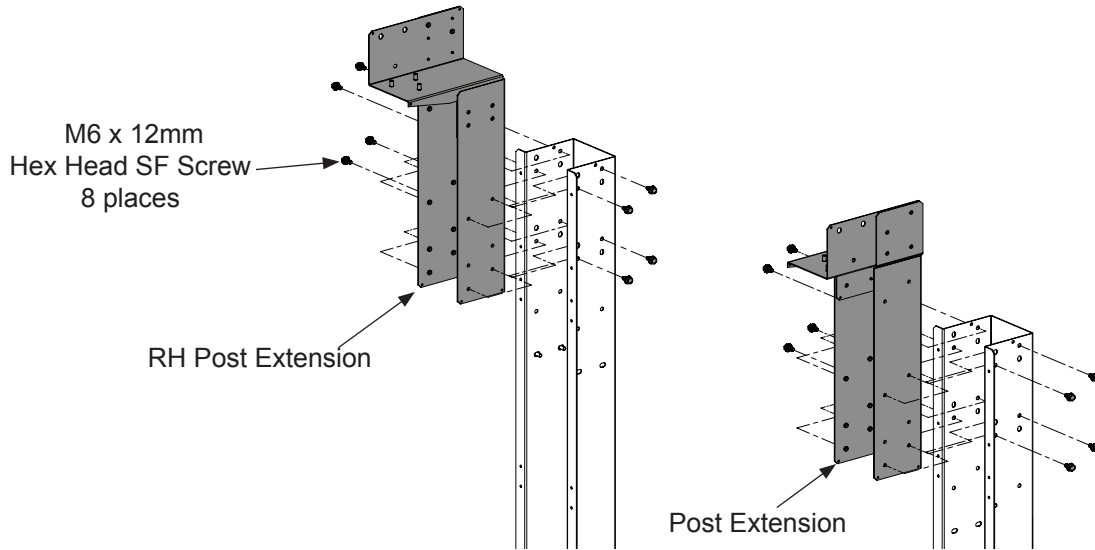


2

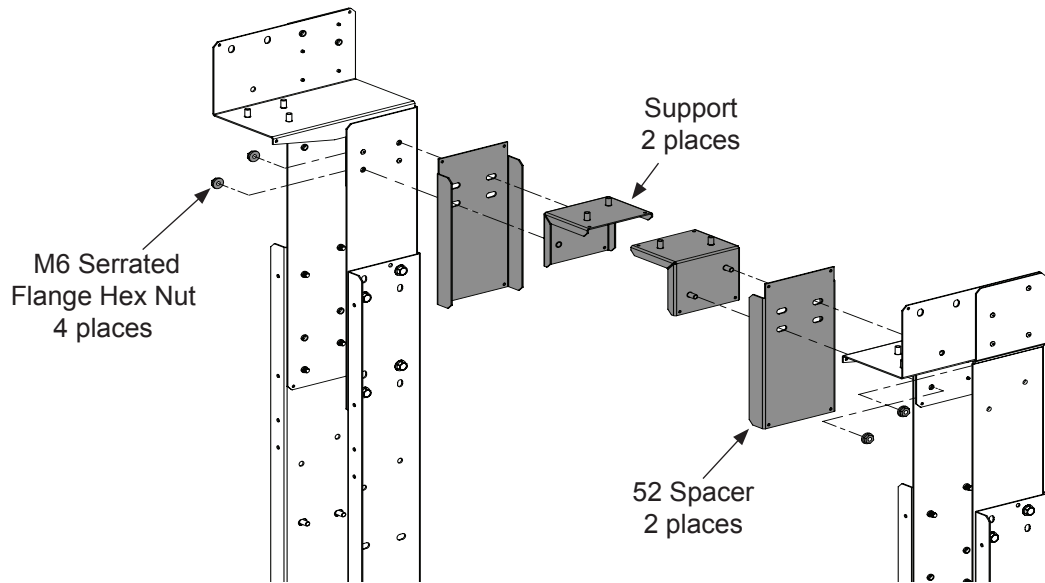


Attaching 52RU Post Extensions, Supports, and 52 Spacers

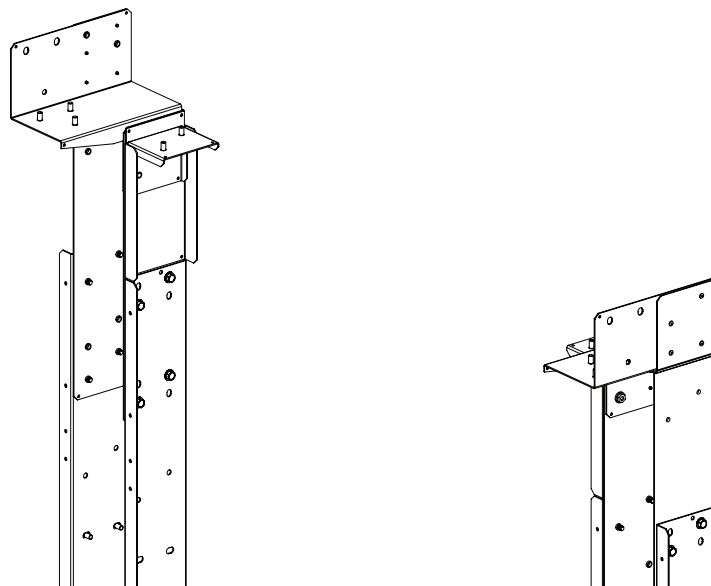
1



2

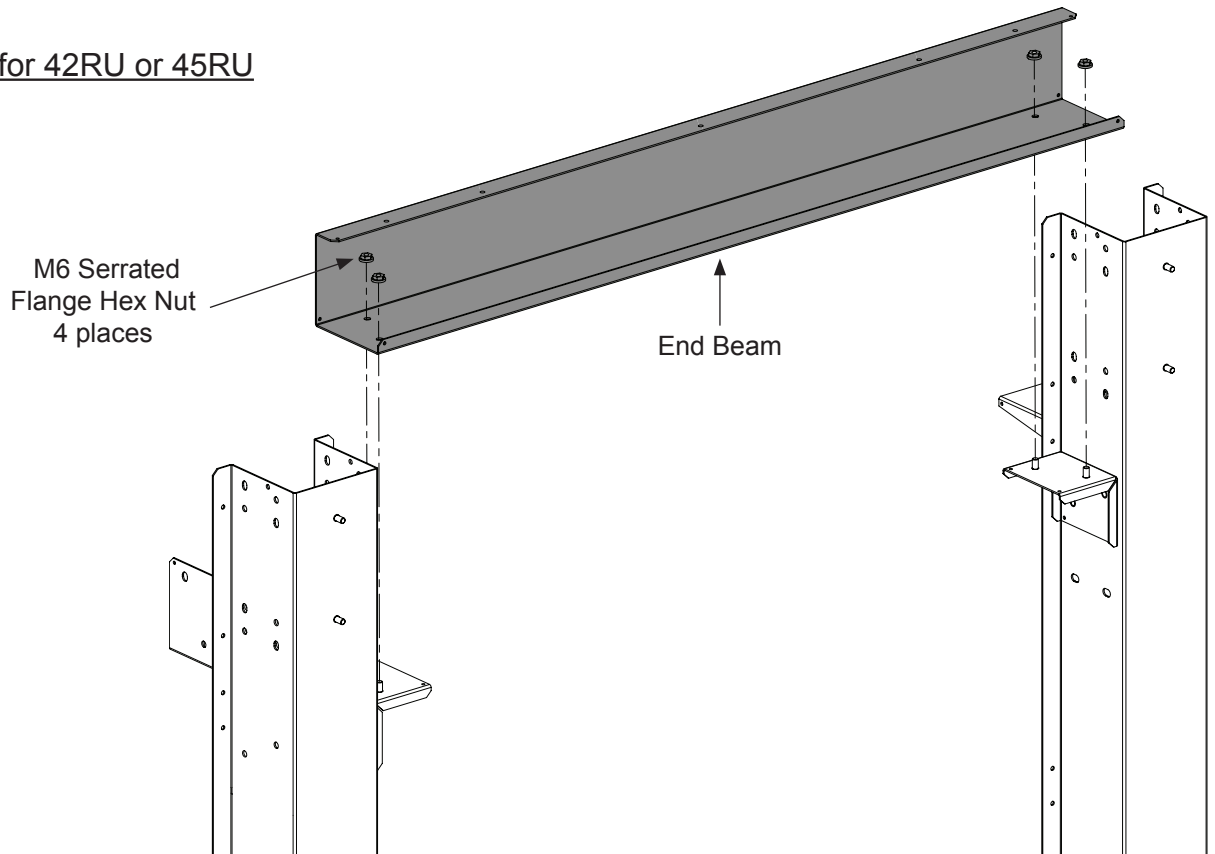


3

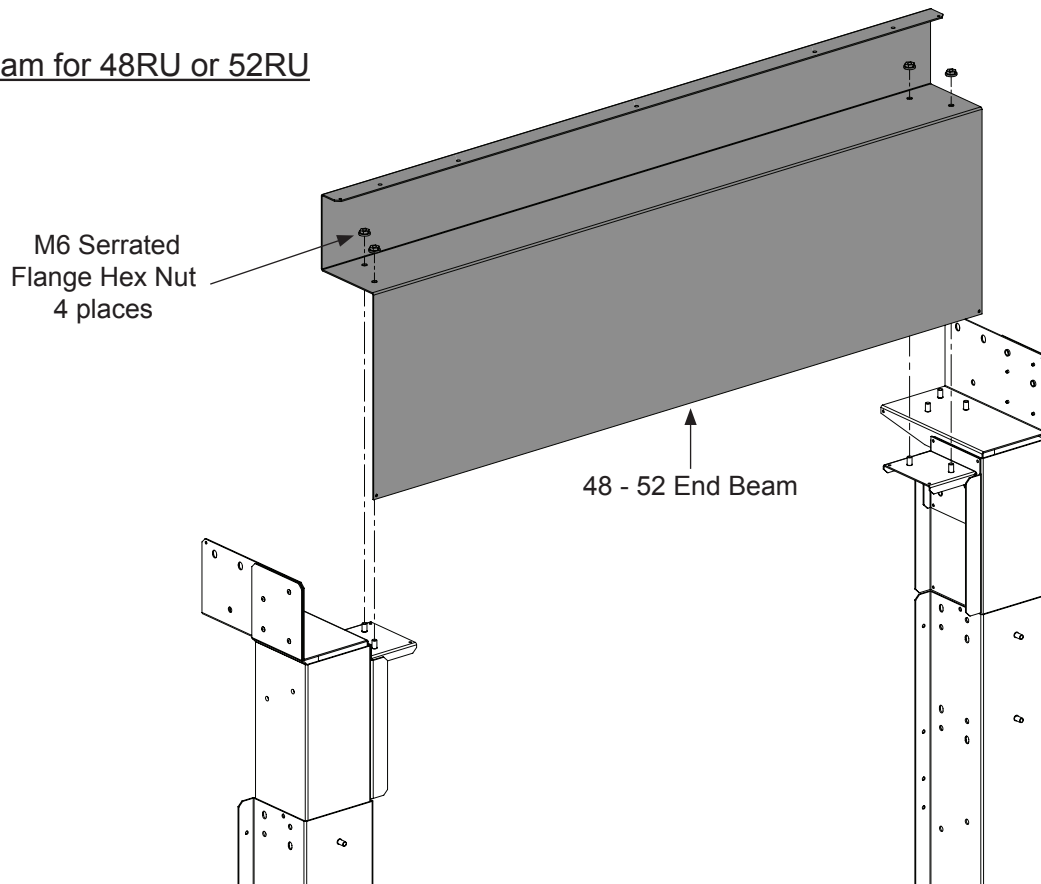


Attaching Single Row End Beams

End Beam for 42RU or 45RU



End Beam for 48RU or 52RU



Attaching Post Seals

Skip this step for 42RU and 45RU

1

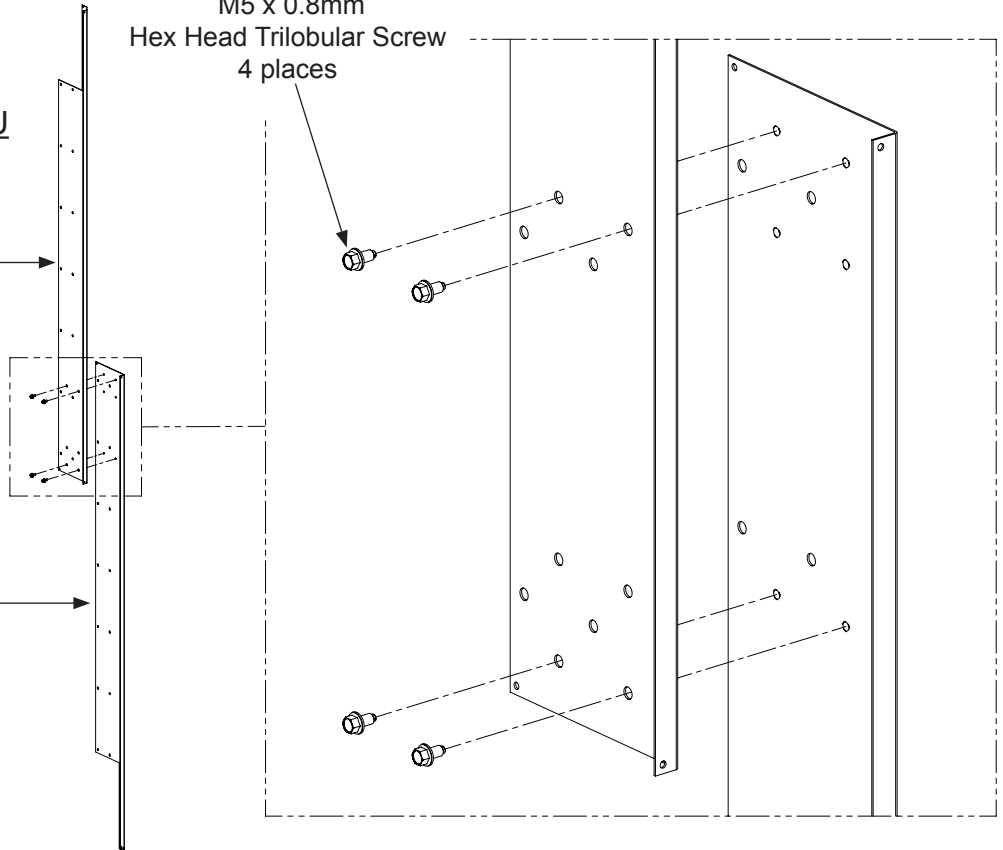
Post Seal assembly for 48RU

No assembly required for 42RU or 45RU Post Seals

48/52 Post Seal A

48/52 Post Seal B

M5 x 0.8mm
Hex Head Trilobular Screw
4 places



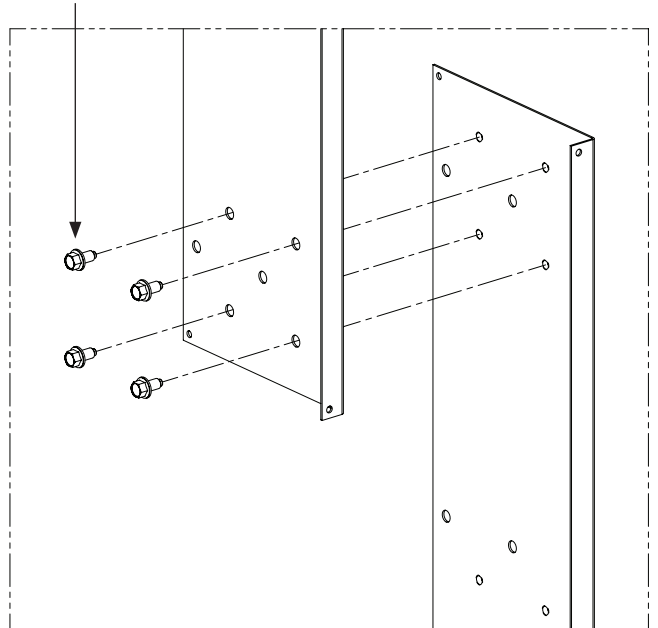
1

Post Seal assembly for 52RU

48/52 Post Seal A

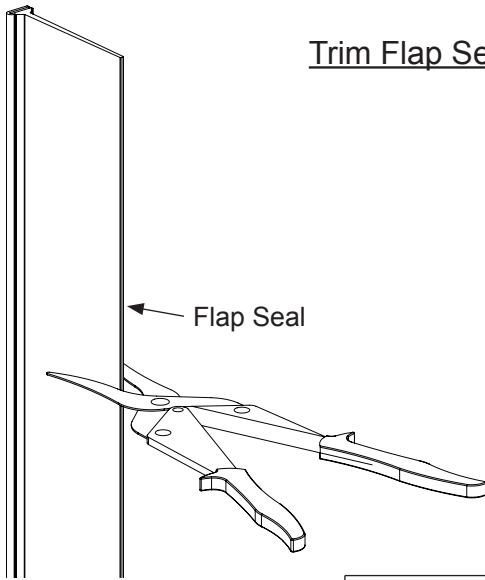
48/52 Post Seal B

M5 x 0.8mm
Hex Head Trilobular Screw
4 places



2

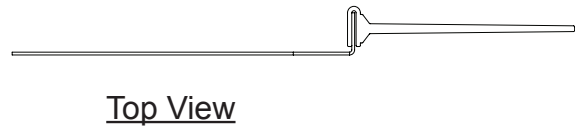
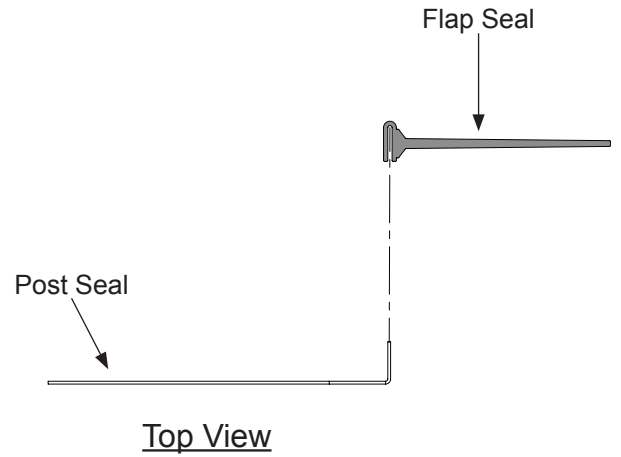
Trim Flap Seal to desired RU length if necessary



3

Install Flap Seal onto the Post Seal

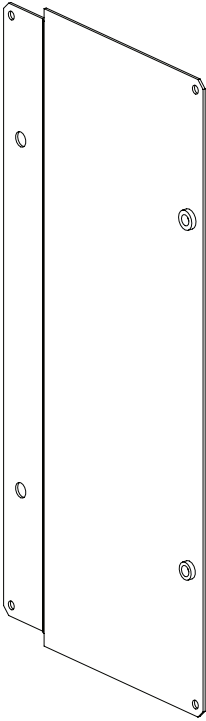
Post Seal
(42RU - 45RU Post Seal shown)



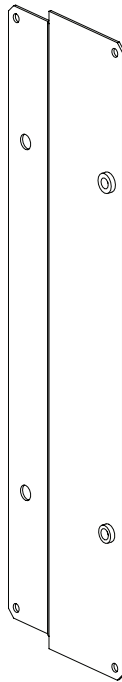
Location options for the Post Seal

The Post Seal can be set to any of the three fixed locations

1200 Panels - 2 included



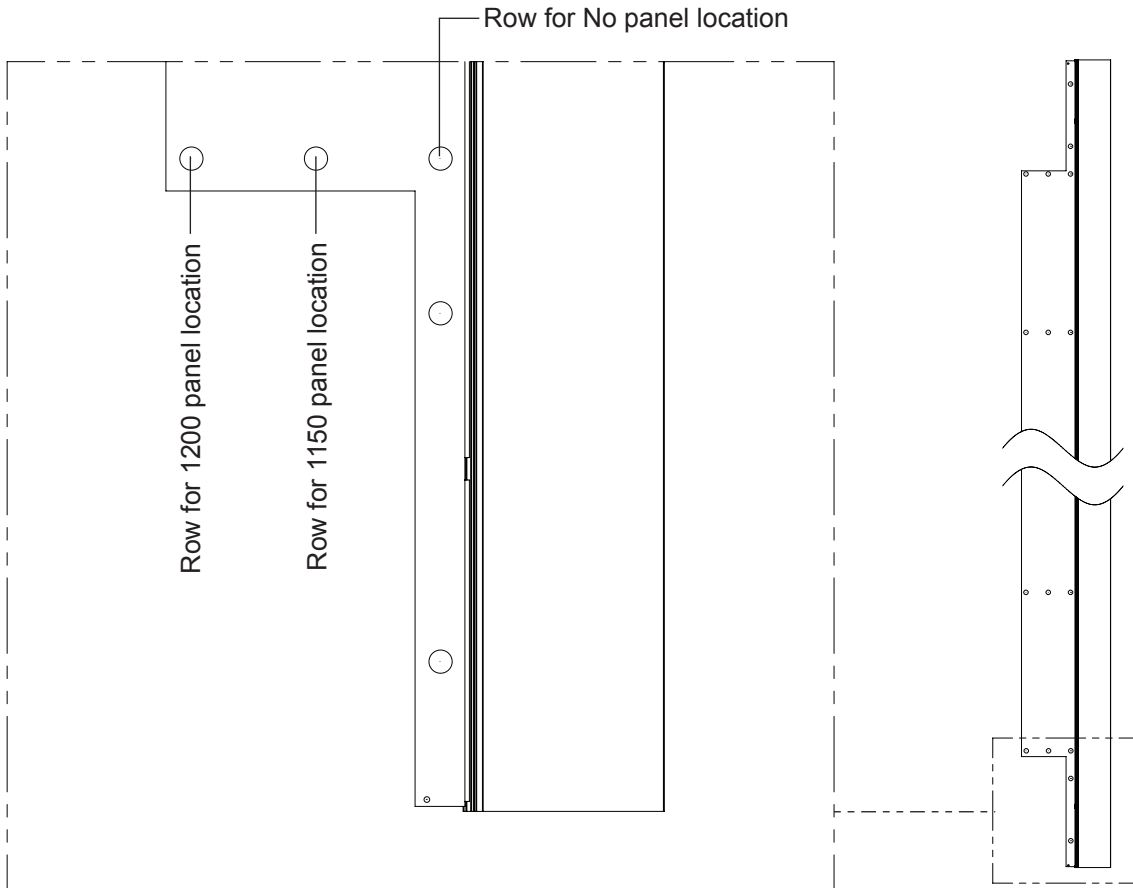
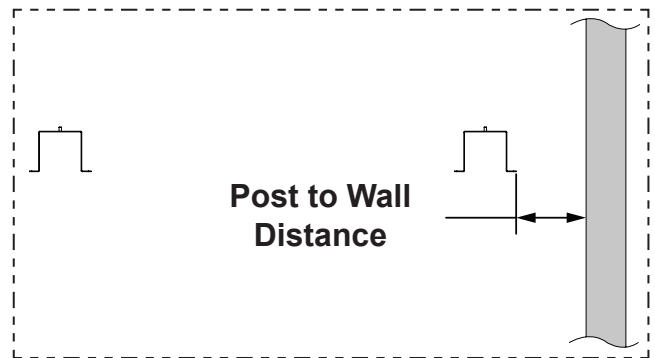
1150 Panels - 2 included



Post to Wall Distance	Panel Option
10mm - 76mm [.39" - 2.99"]	No Panel
76mm - 126mm [2.99" - 4.96"]	1150 Panel
126mm - 176mm [4.96" - 6.93"]	1200 Panel
>176mm [>6.93"]	No Seal Needed*

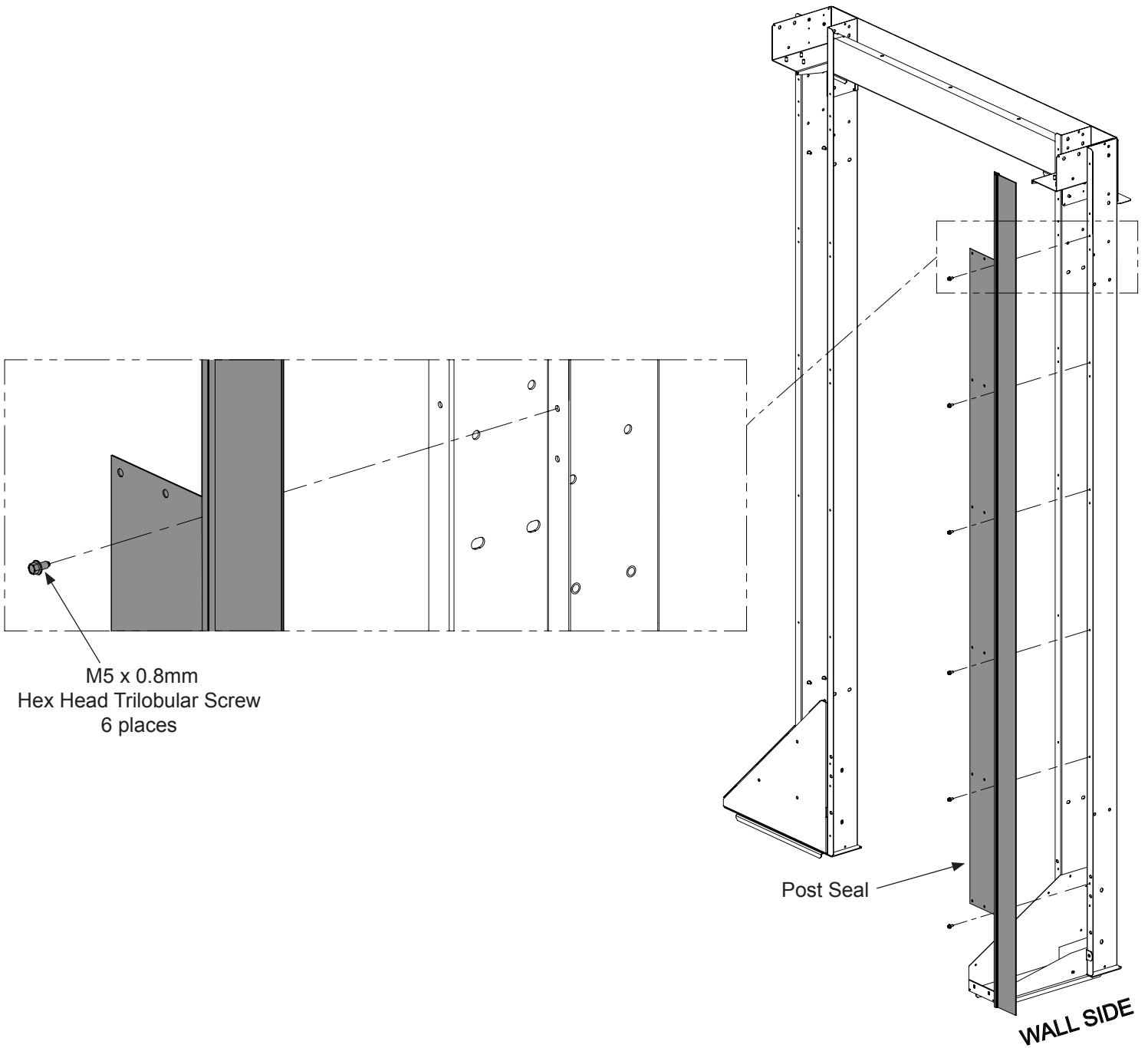
*Full height Blanking Panels installed.
Post Seals not installed.

Reference Vertical Blanking Panel section.



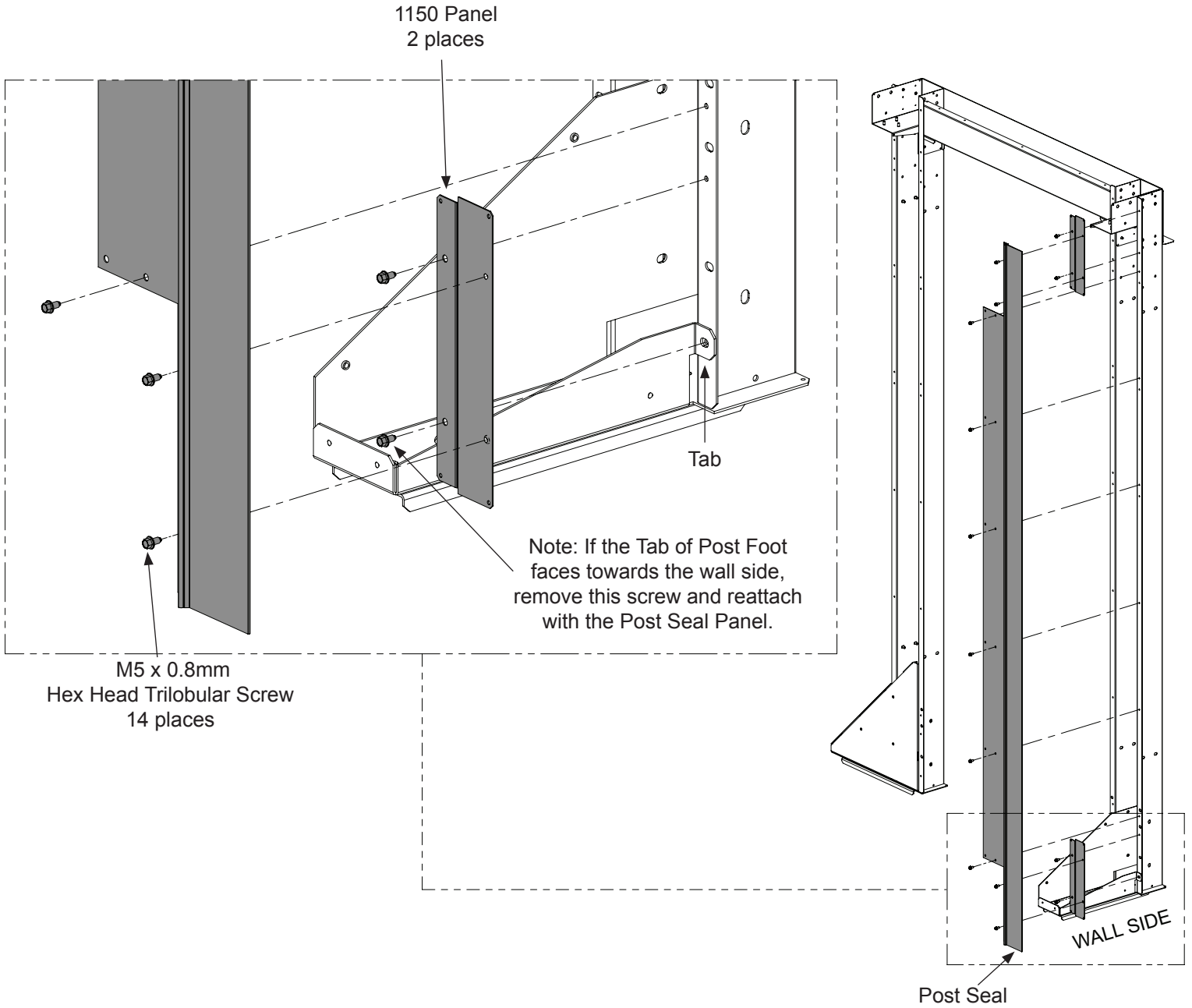
4

No Panel option



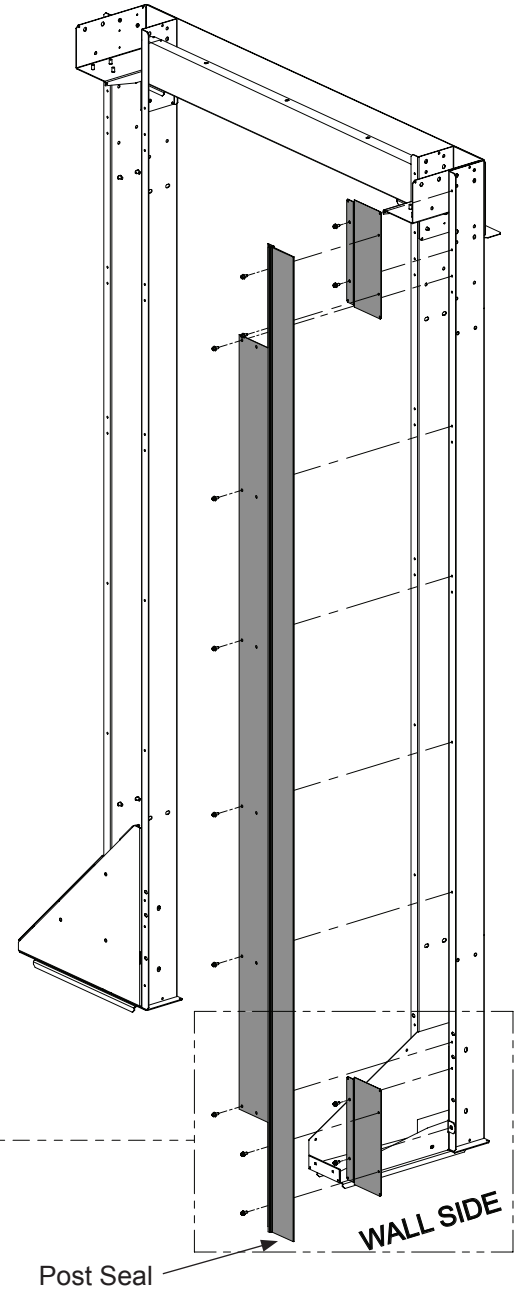
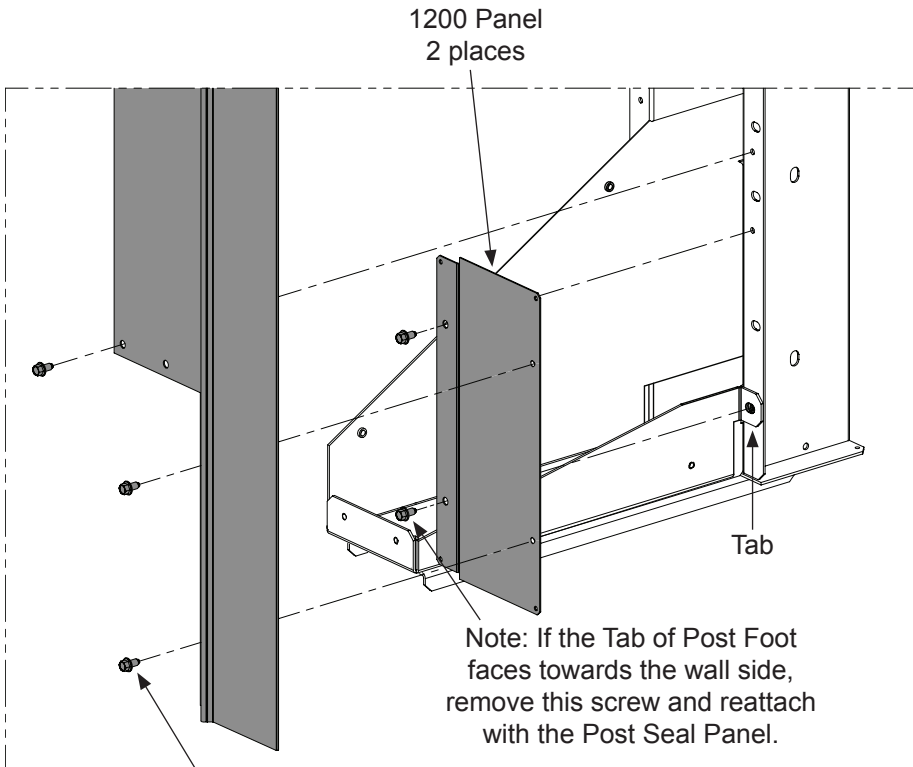
4

1150 Panel option



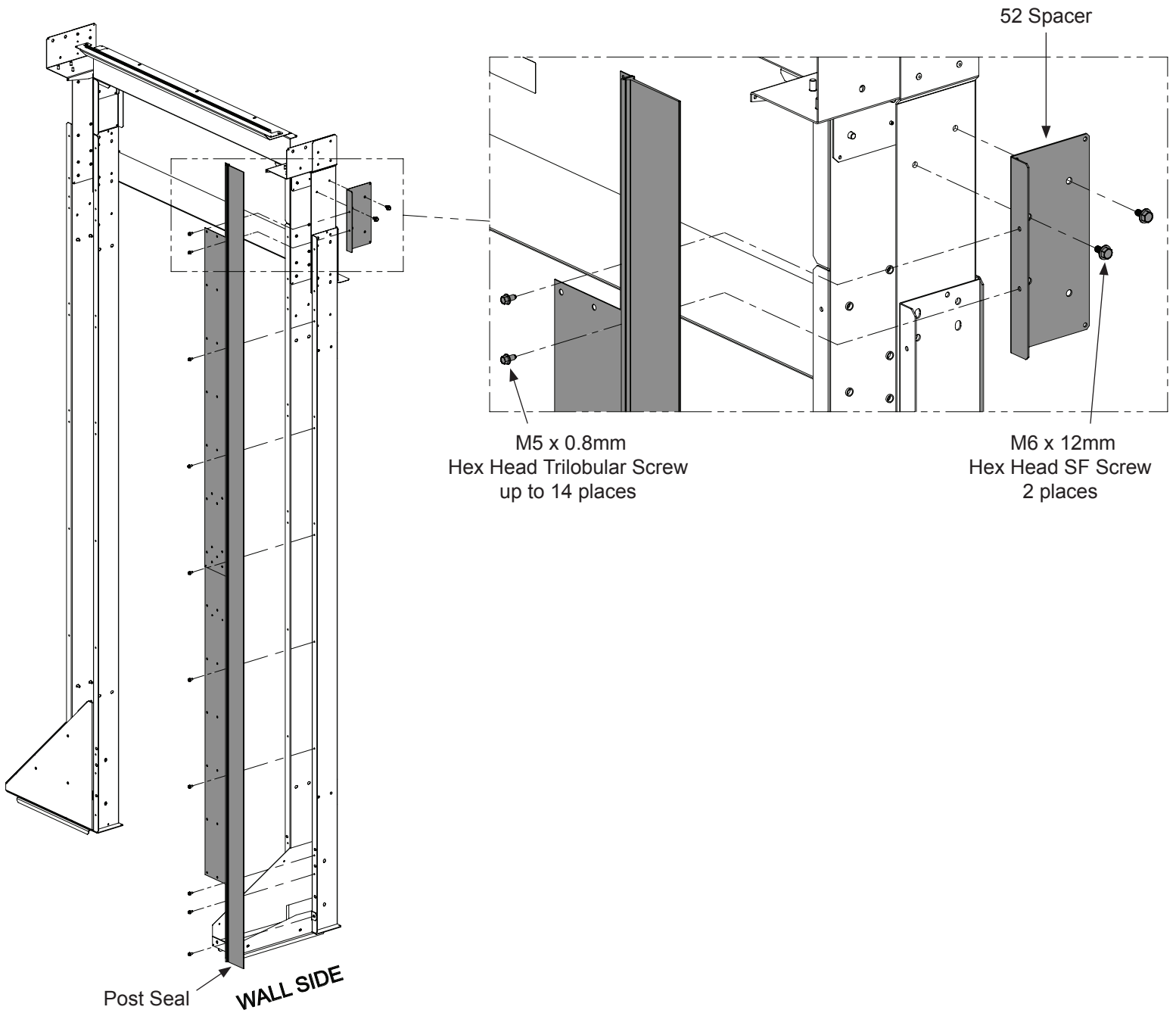
4

1200 Panel option

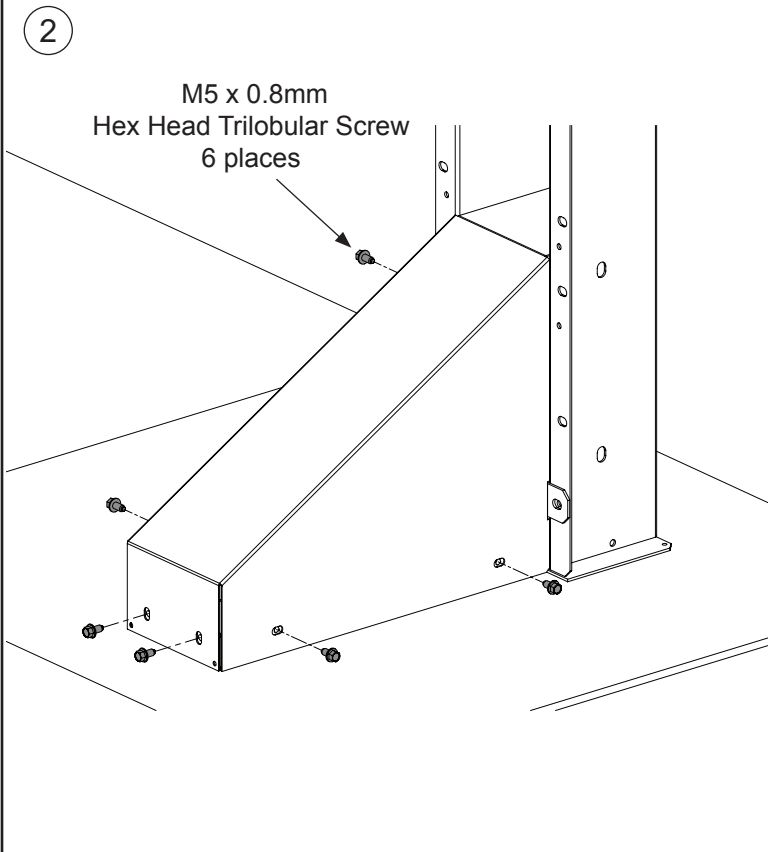
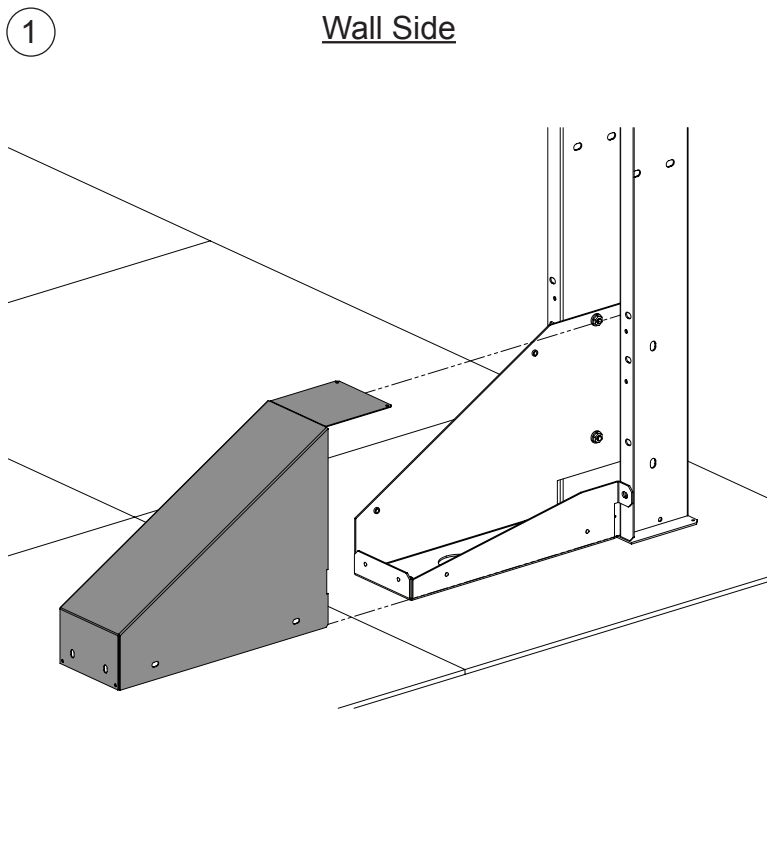
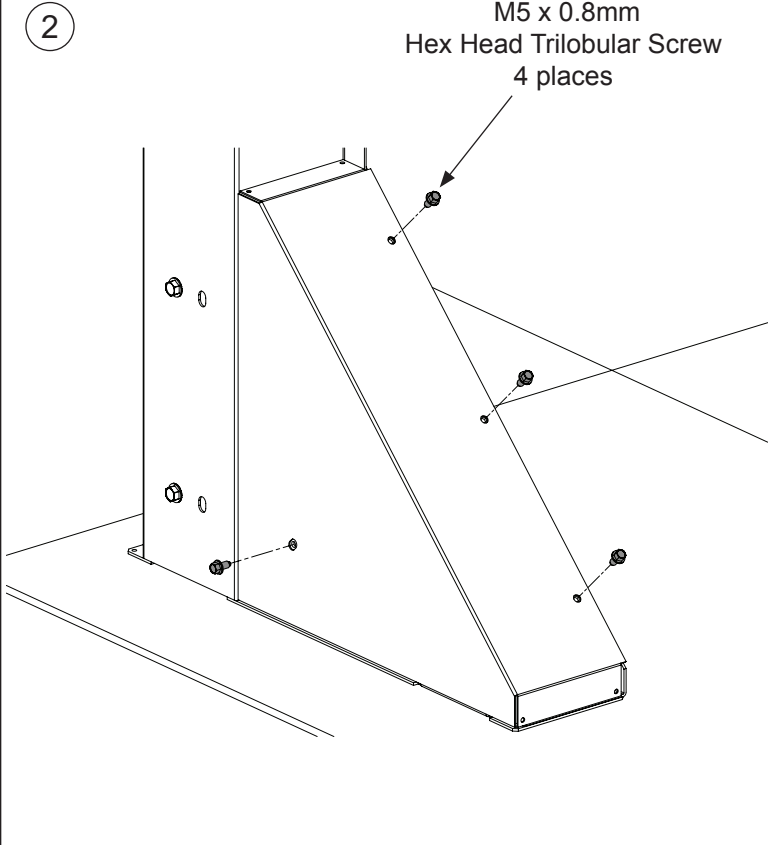
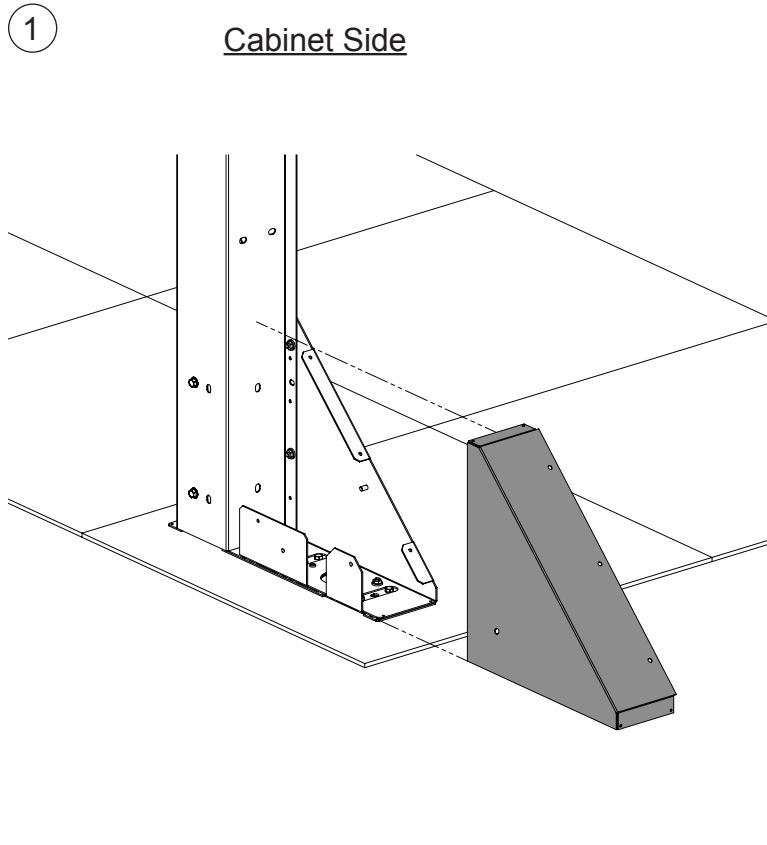


4

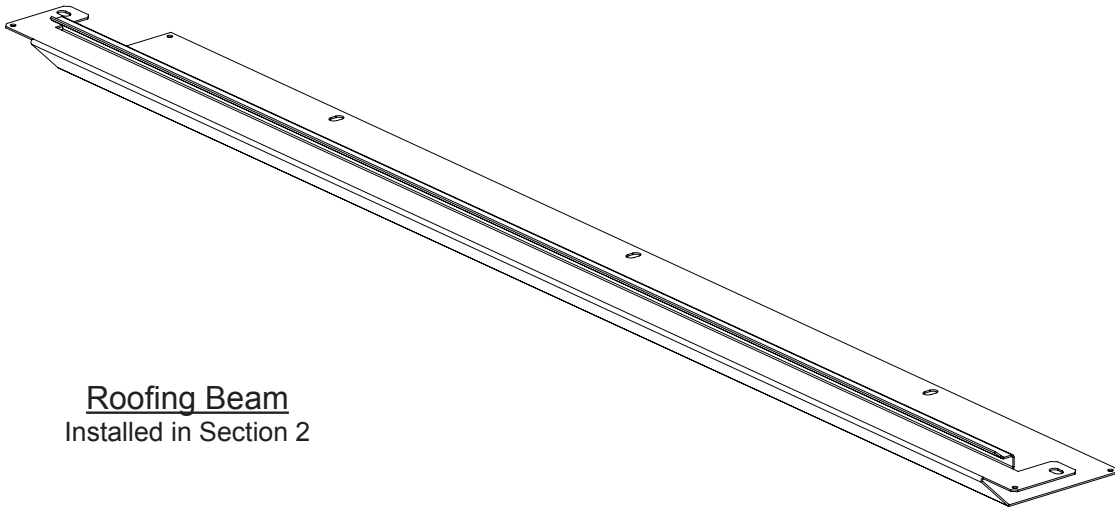
Option for 52RU Post Seal ONLY
Requires the Installation of a 52 Spacer



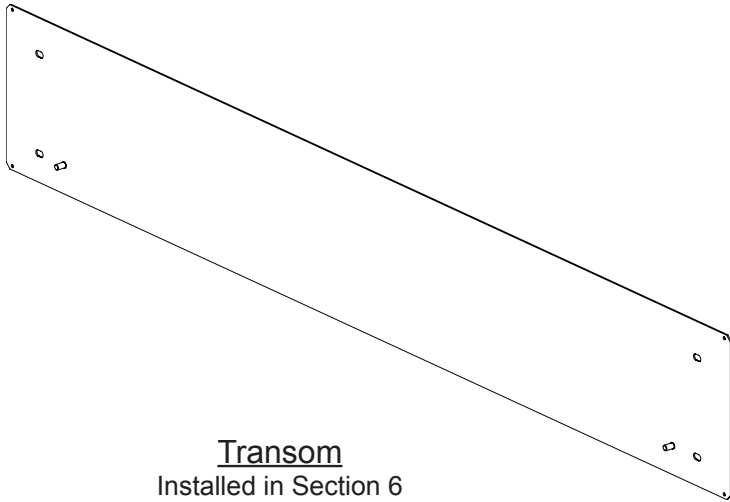
Attaching Post Foot Covers



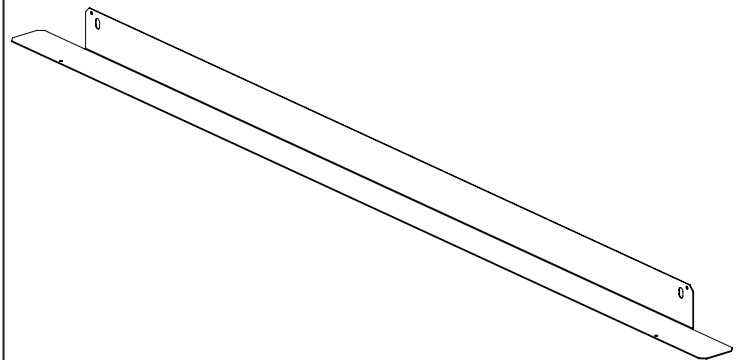
Remaining components to be assembled in later steps



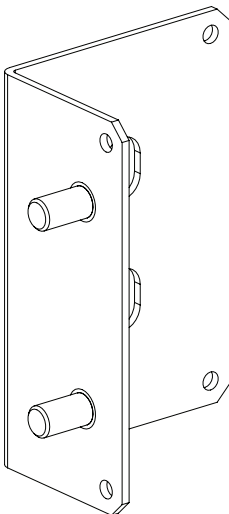
Roofing Beam
Installed in Section 2



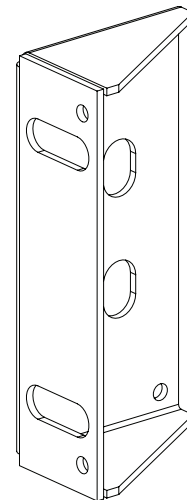
Transom
Installed in Section 6



Transom Seal
Installed in Section 6



Door Portion of Door Bracket, Cabinet Side (2)
Installed in Section 6



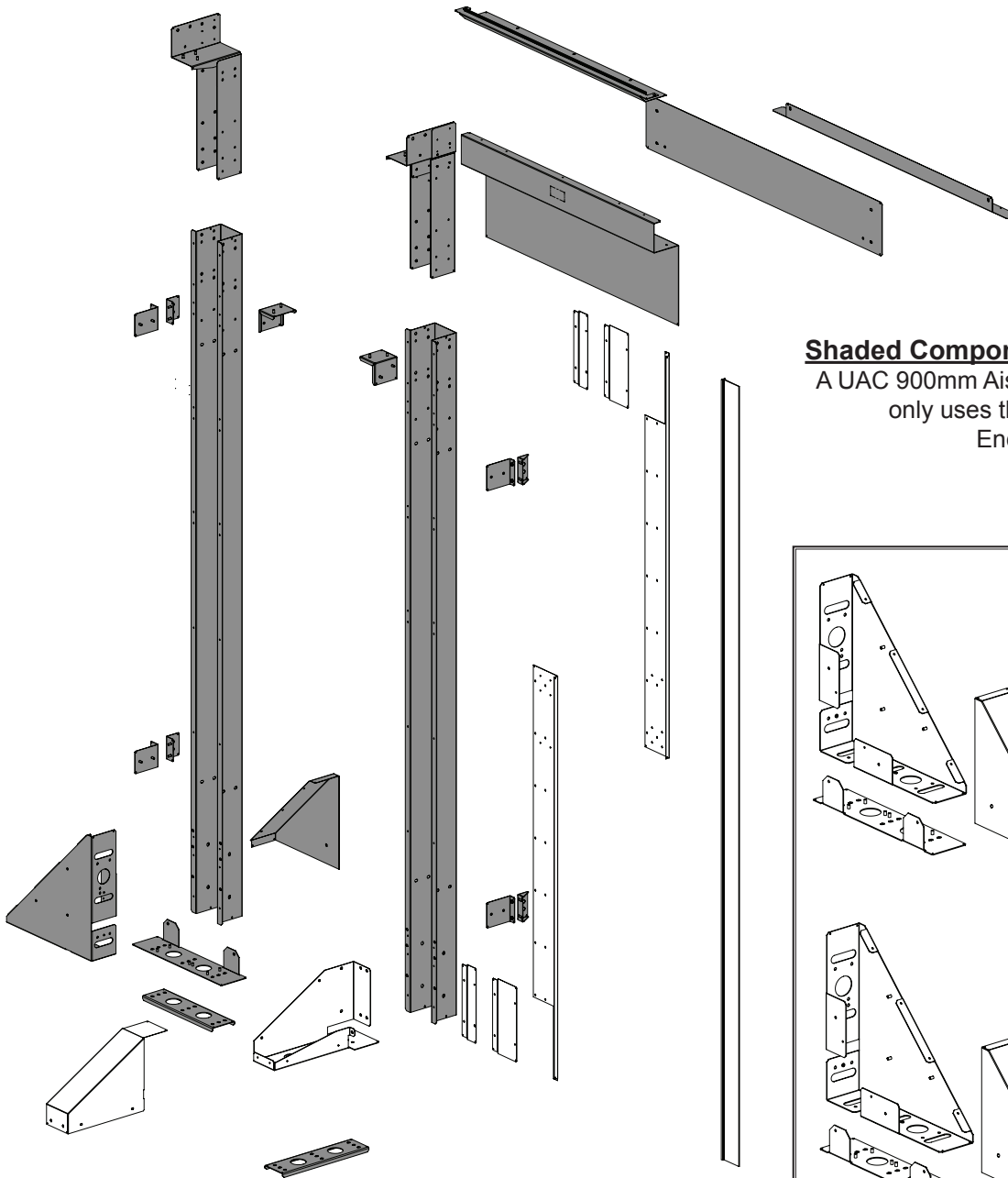
Door Portion of Door Bracket, Wall Side (2)
Installed in Section 6

SECTION 1B

Installation of the USRC End of Row Frames when converting to a UAC 900mm Aisle Width

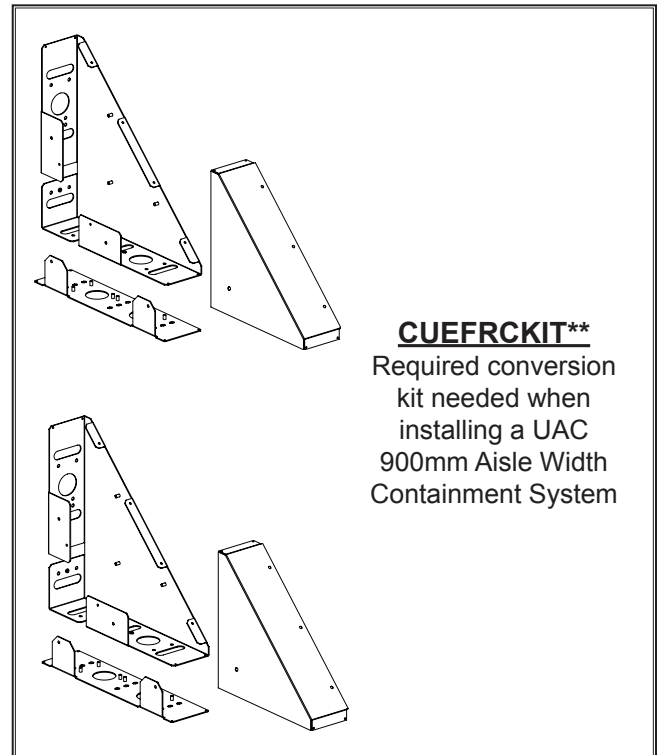
Part Number(s)

CUSREFRT8**
CUSREFRT9**
CUEFRCKIT**



Shaded Components of End of Row Frame

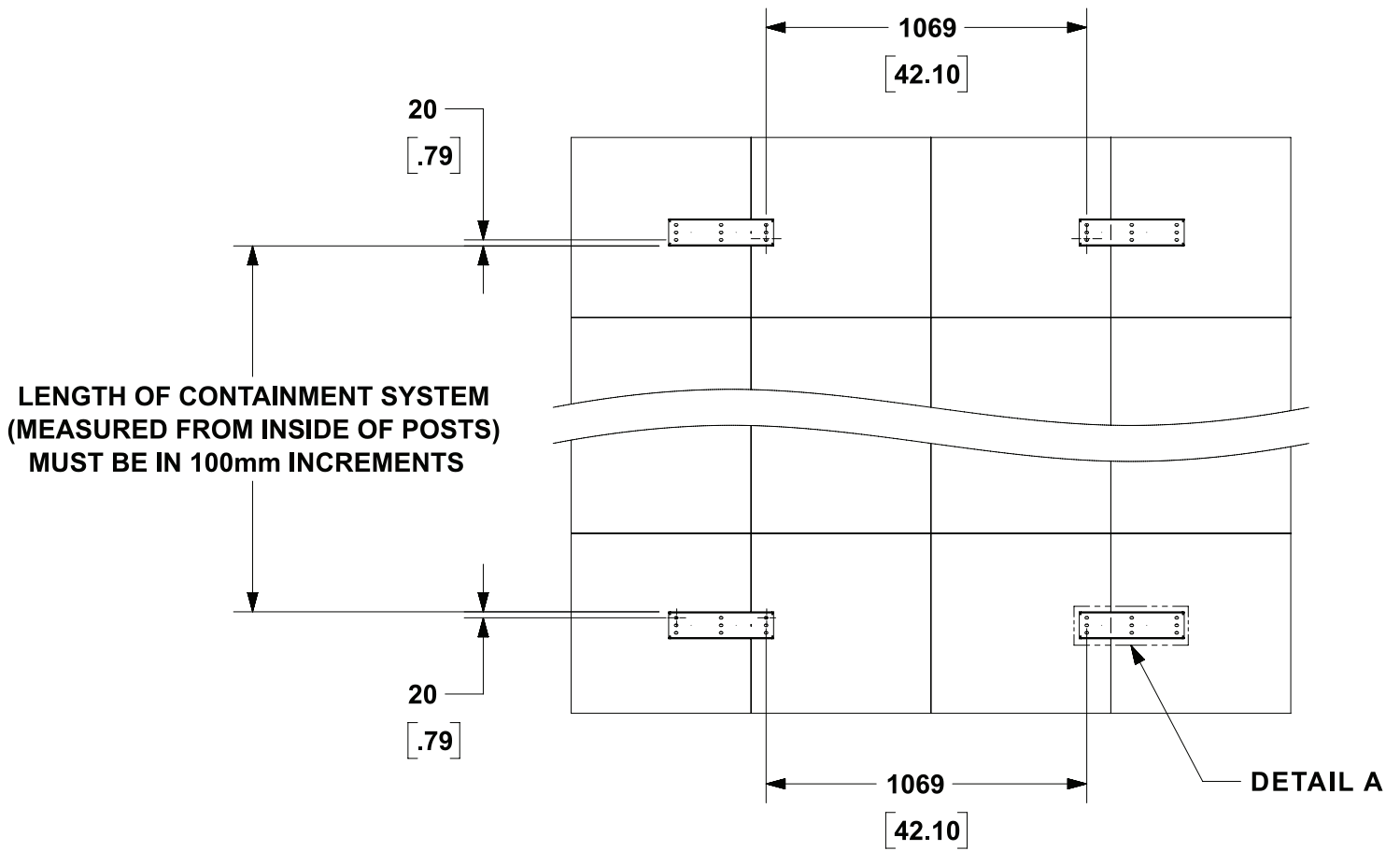
A UAC 900mm Aisle Width Containment System only uses these components of the End of Row frame.



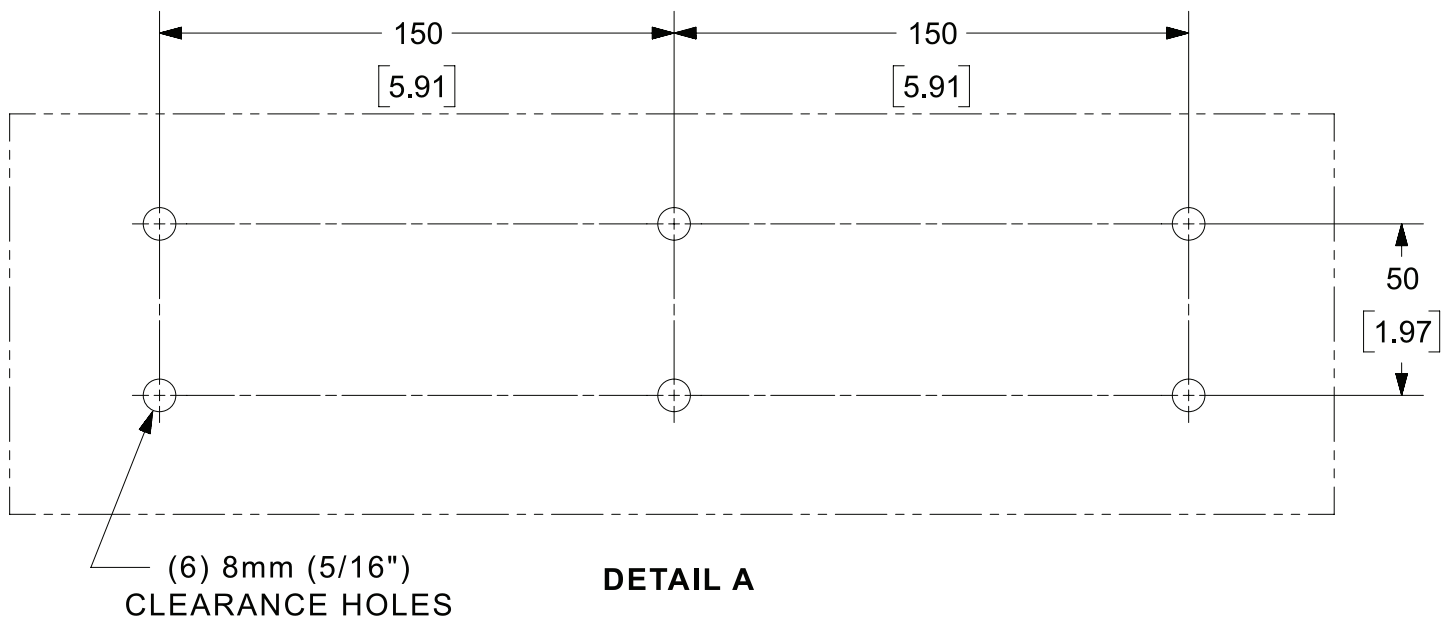
CUEFRCKIT**

Required conversion kit needed when installing a UAC 900mm Aisle Width Containment System

Typical layout between Post Supports



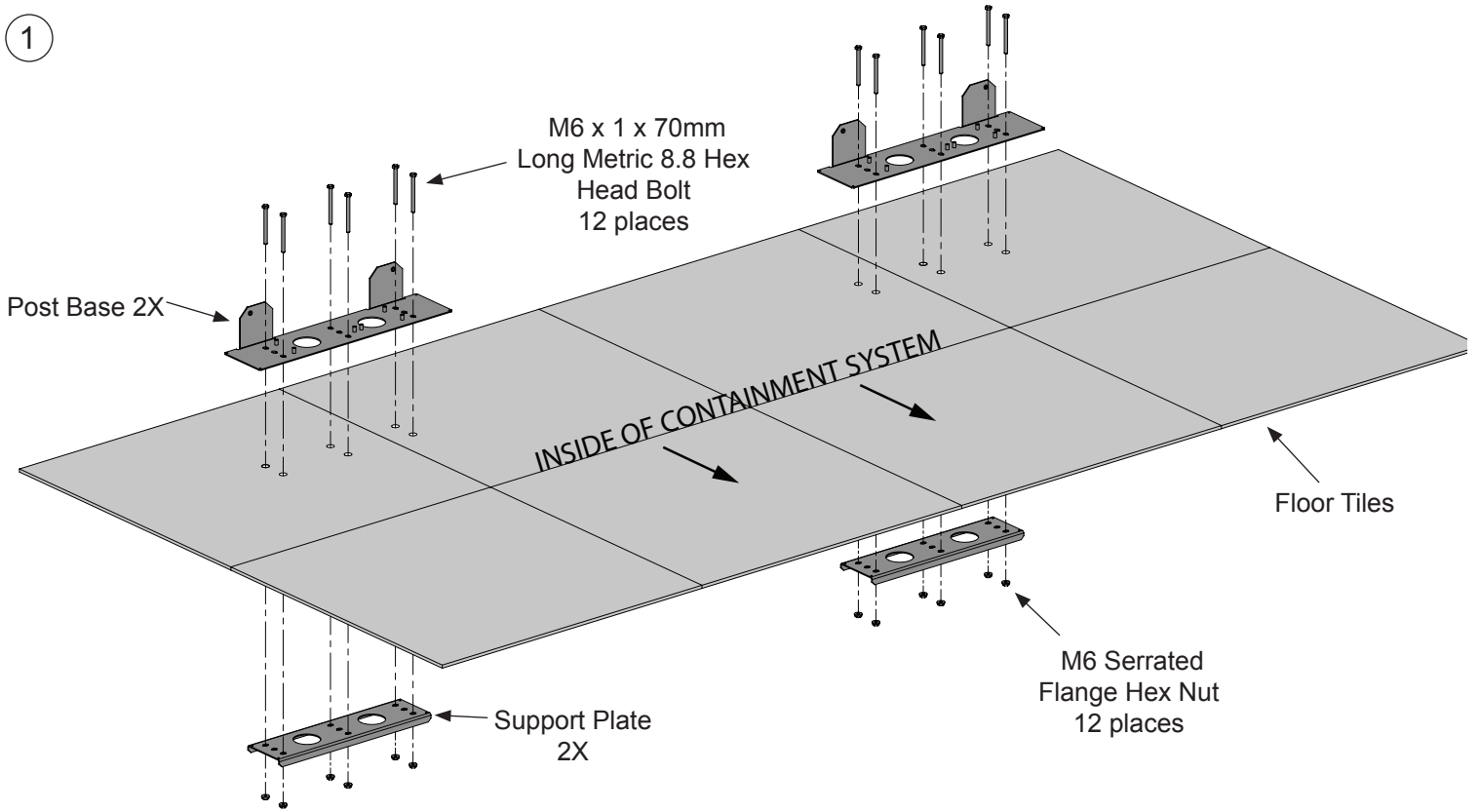
Drill Layout for all Post Supports



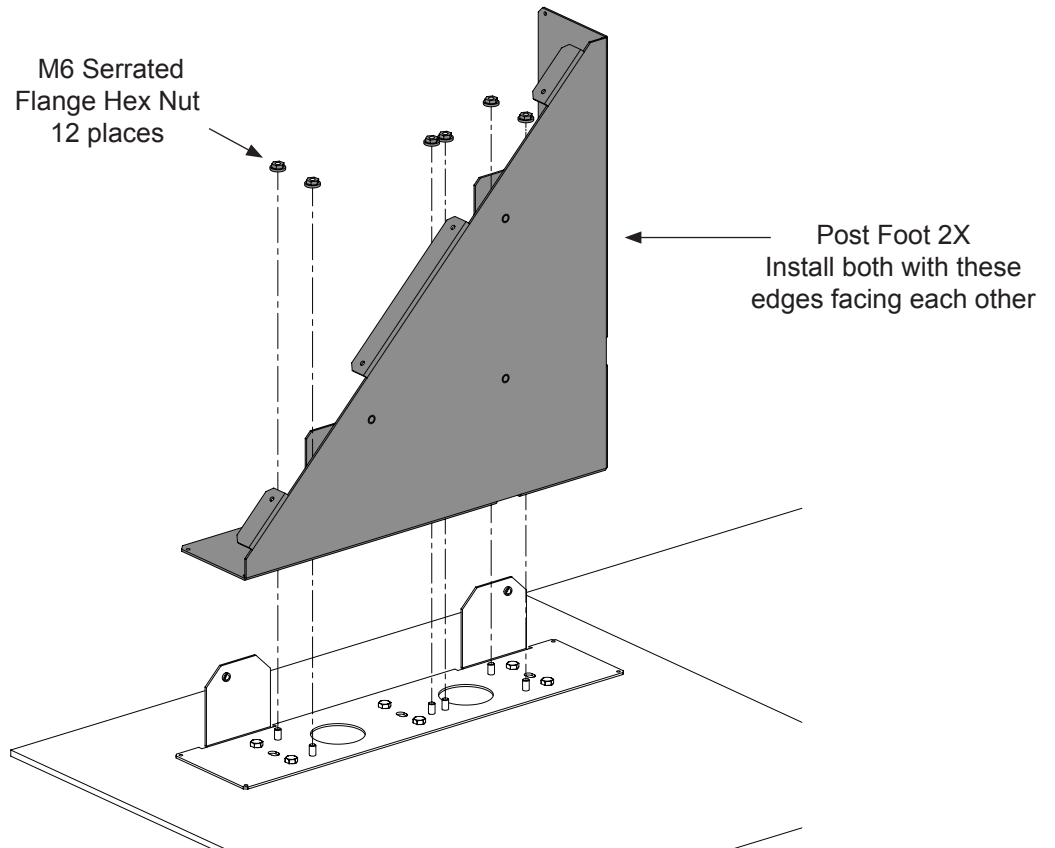
Attaching Foot Bases to Floor

One Post Base and Foot is included with each End of Row Frame. Two Post Base and Feet come with the Conversion Kit

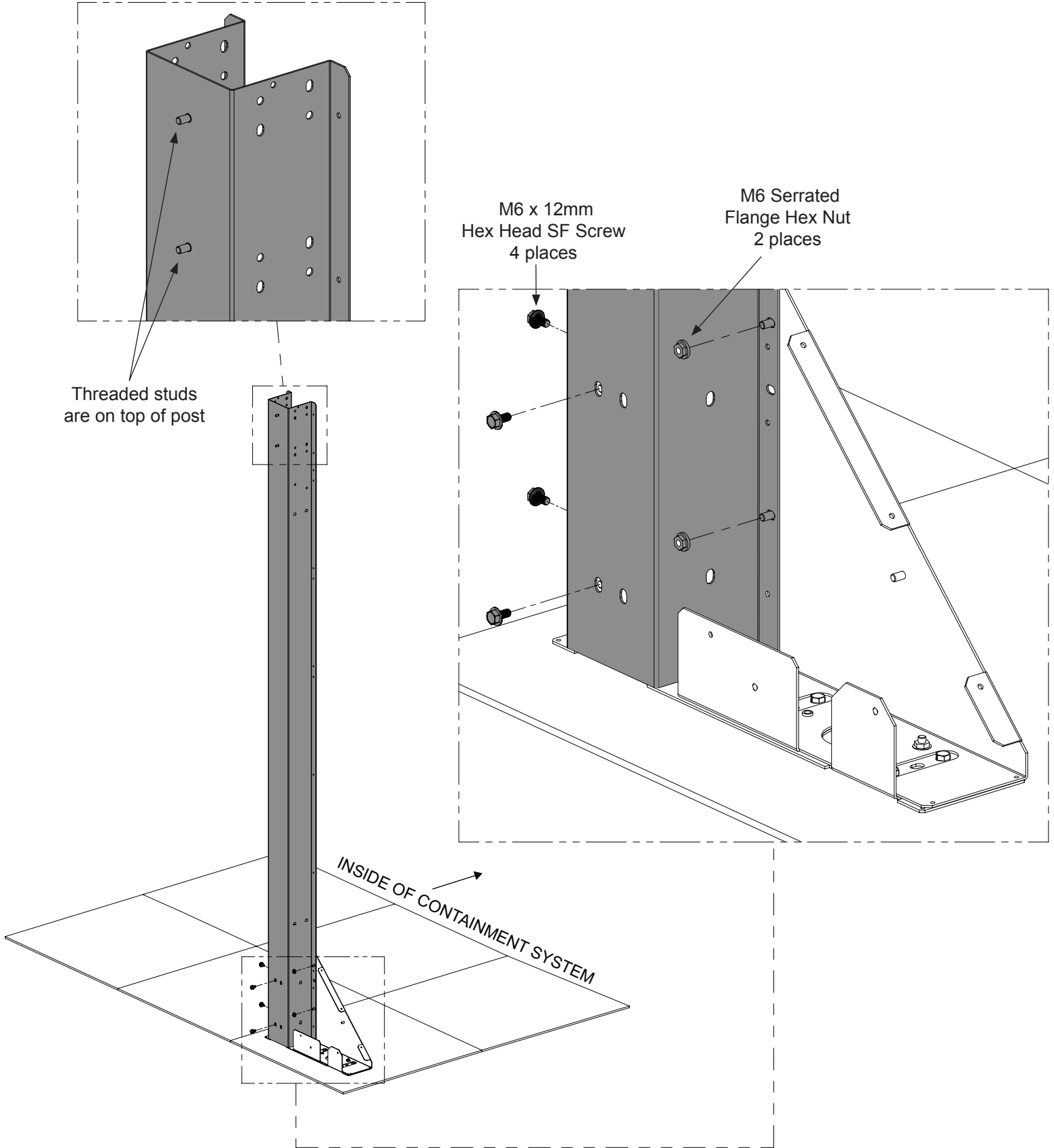
1



2

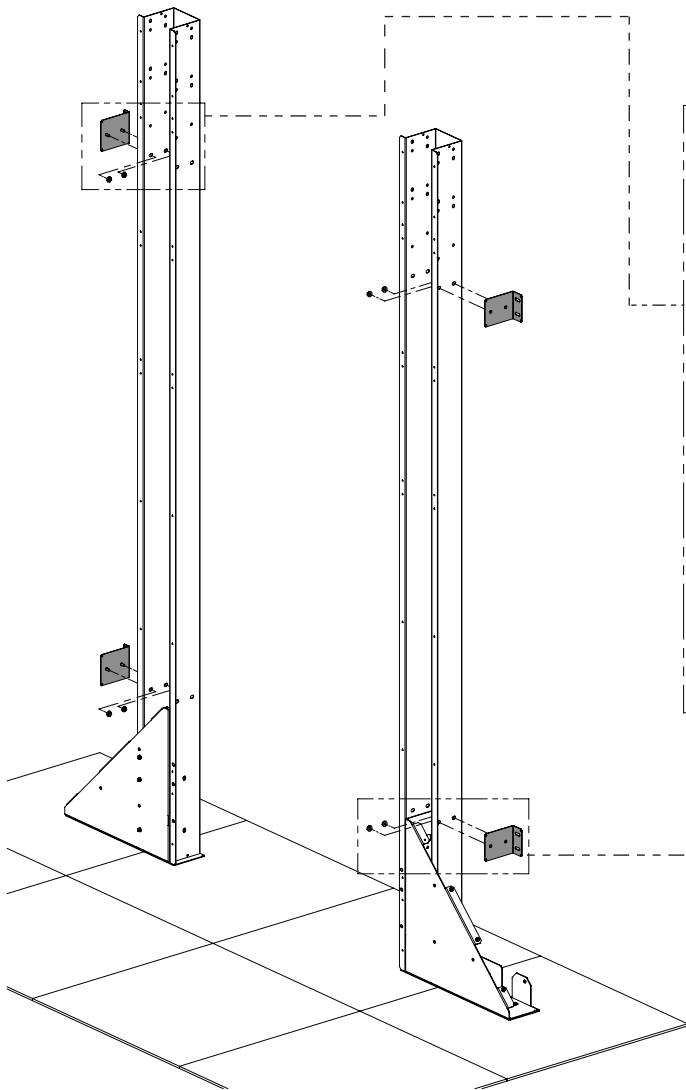


Attaching Post to Post Foot



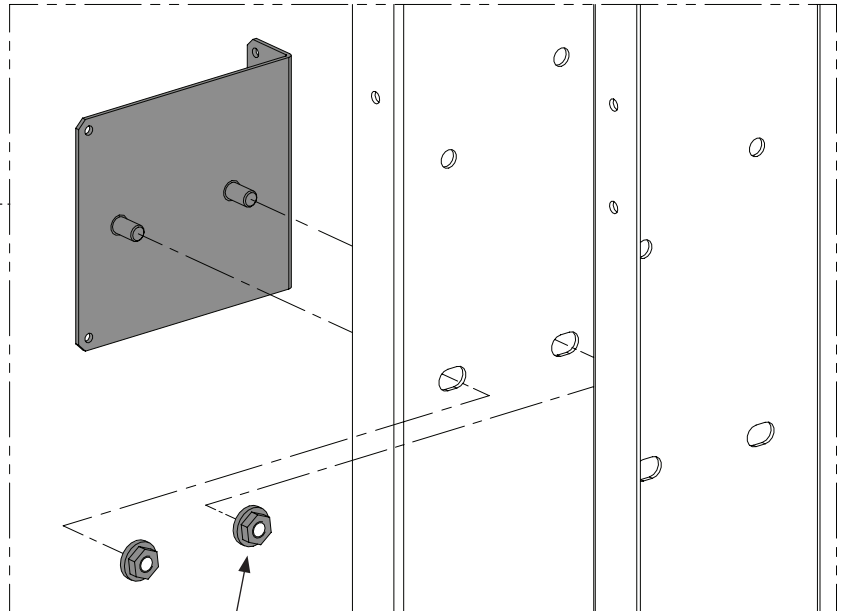
Attaching Frame Portion of Door Brackets

Important: Either a Left Hand or Right Hand Door can be installed. The Frame Portion of Door Brackets must be installed on correct side for Door being used in order to ensure maximum Door opening width. Showing Left Hand Door operation. If Door Brackets are installed incorrectly, Door will not open fully.



Frame Portion of Door Bracket, Door Handle side

Bracket with threaded holes goes on side that the door handle of sliding door will be on. This will be the side Door will close towards.

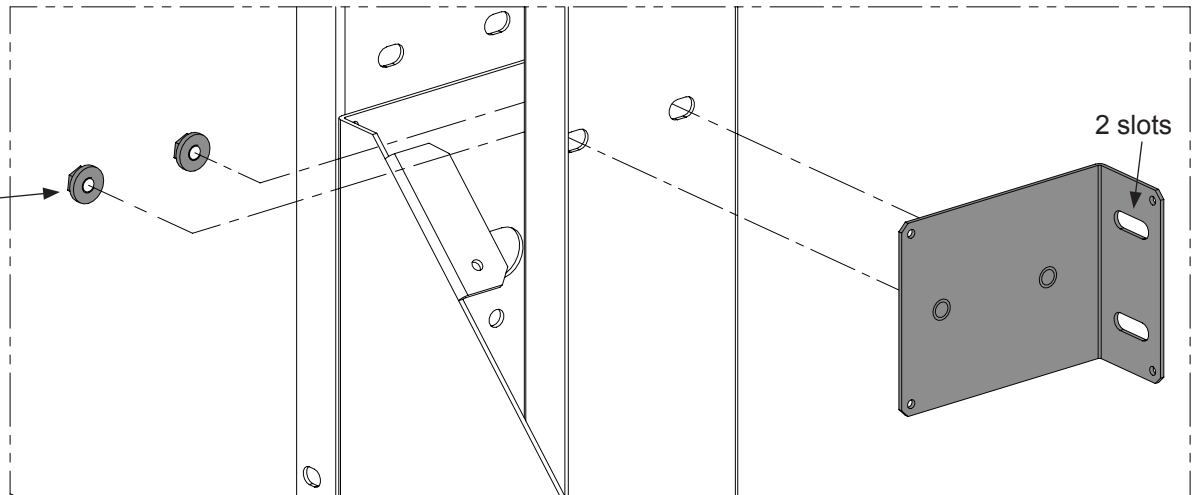


M6 Serrated
Flange Hex Nut
4 places

Frame Portion of Door Bracket, Door opens-to side

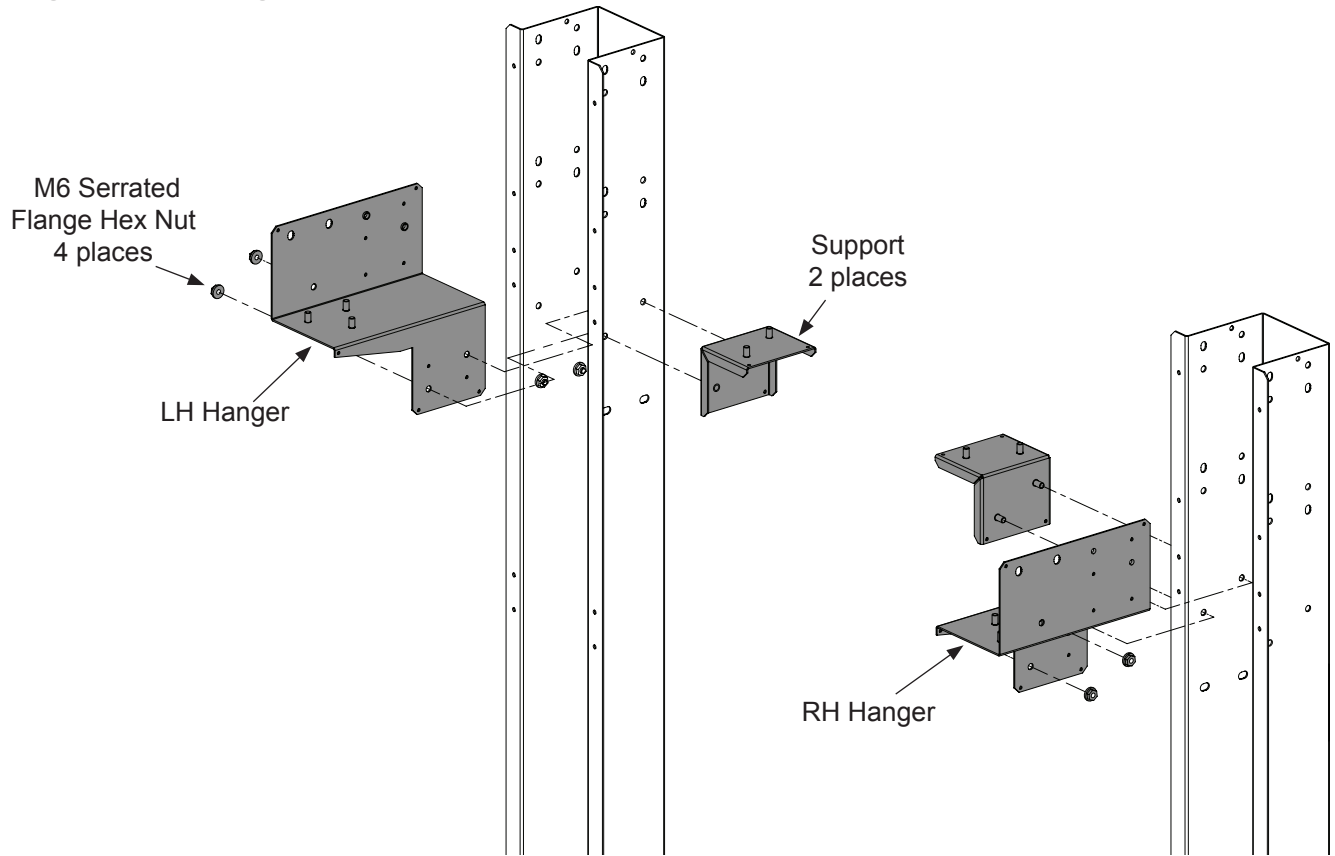
Bracket with slots goes on side that Door will slide open towards

M6 Serrated
Flange Hex Nut
4 places

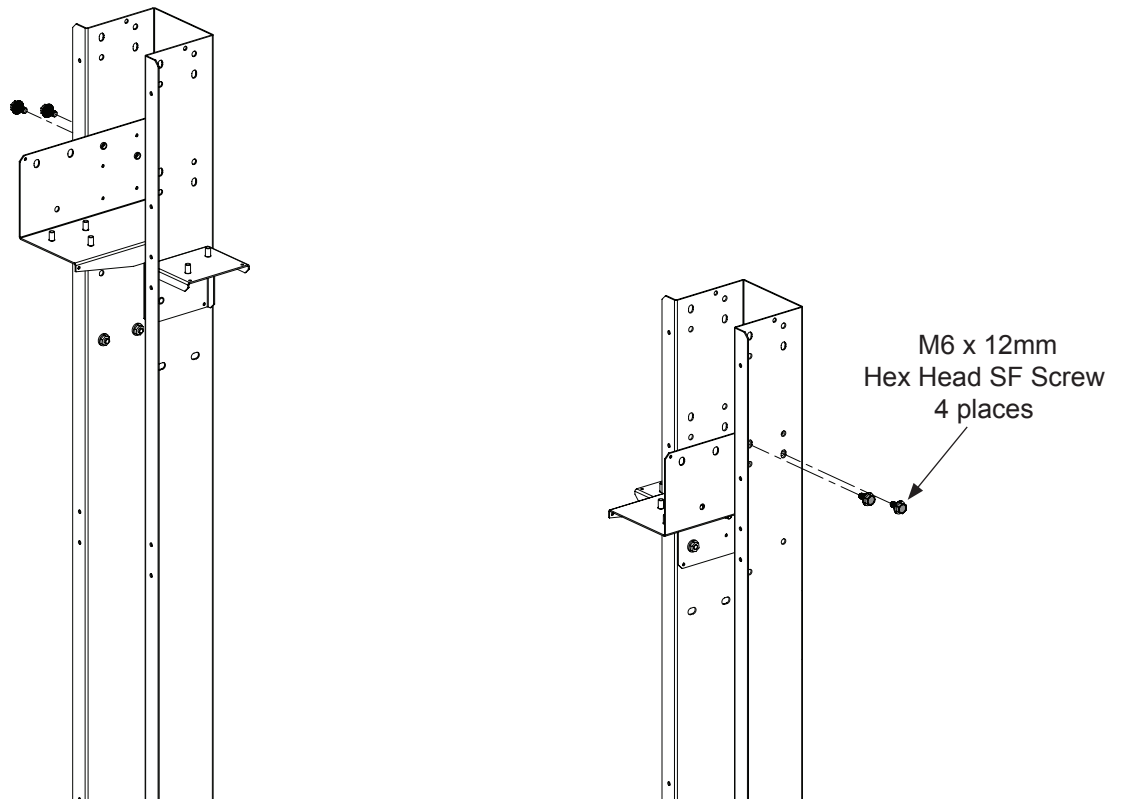


Attaching 42RU Hangers and Supports

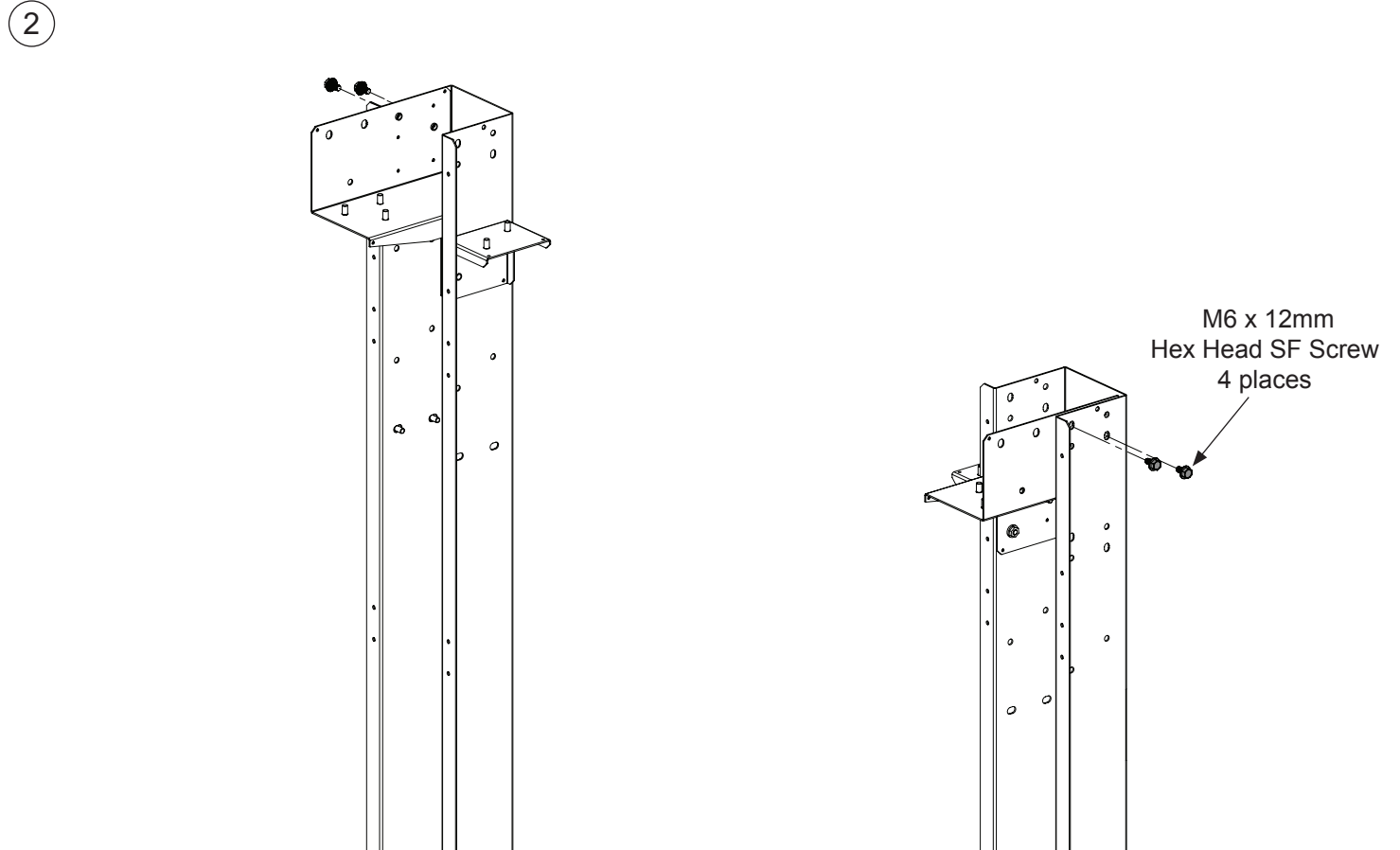
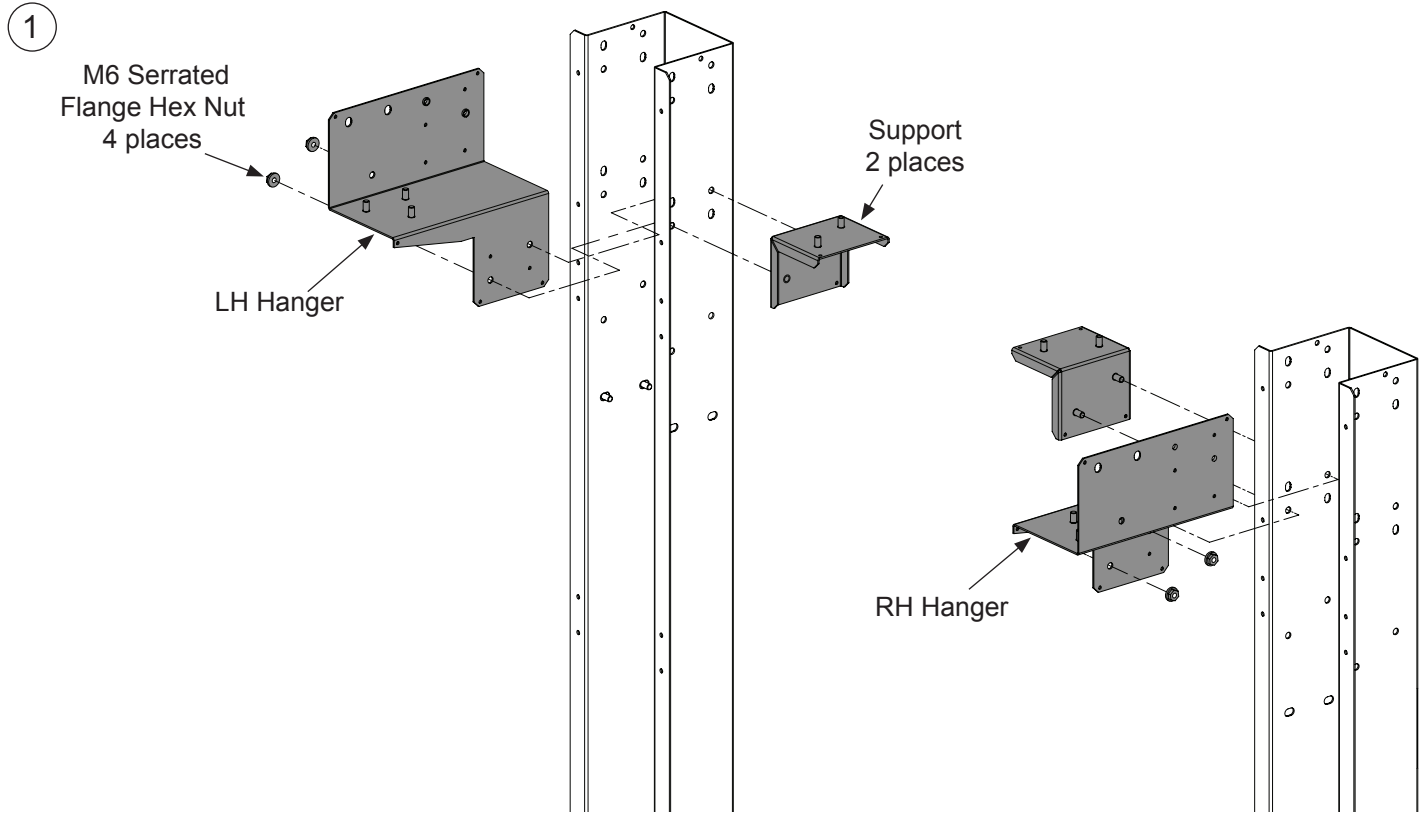
1



2

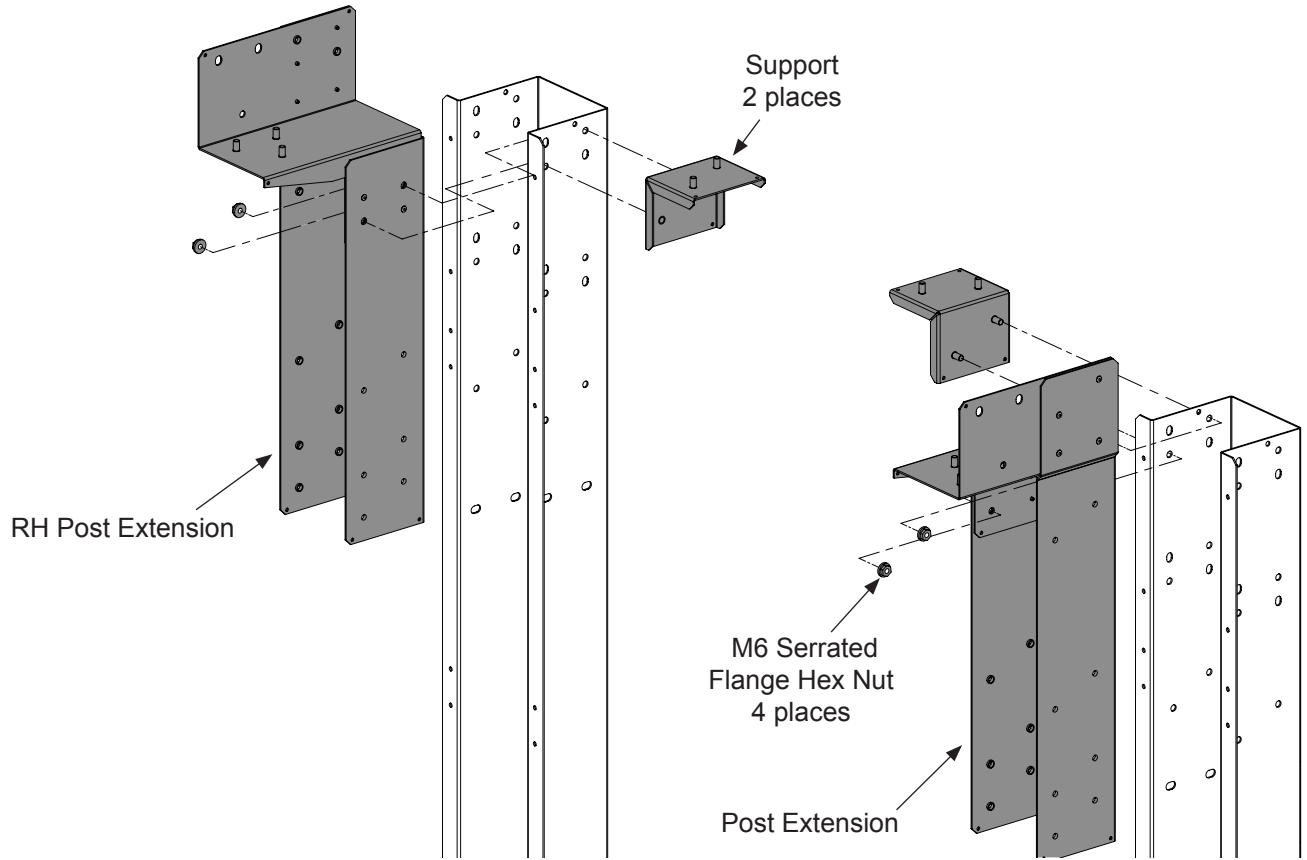


Attaching 45RU Hangers and Supports

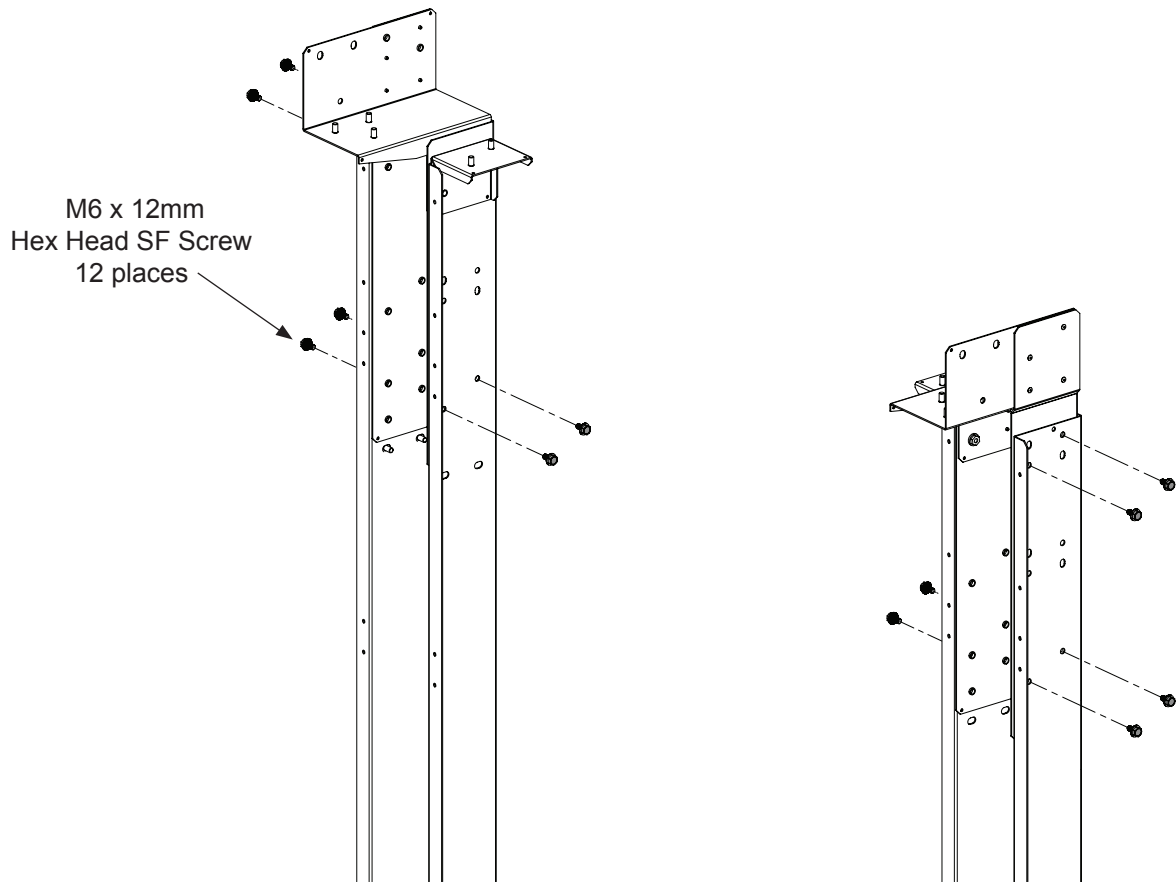


Attaching 48RU Post Extensions and Supports

1

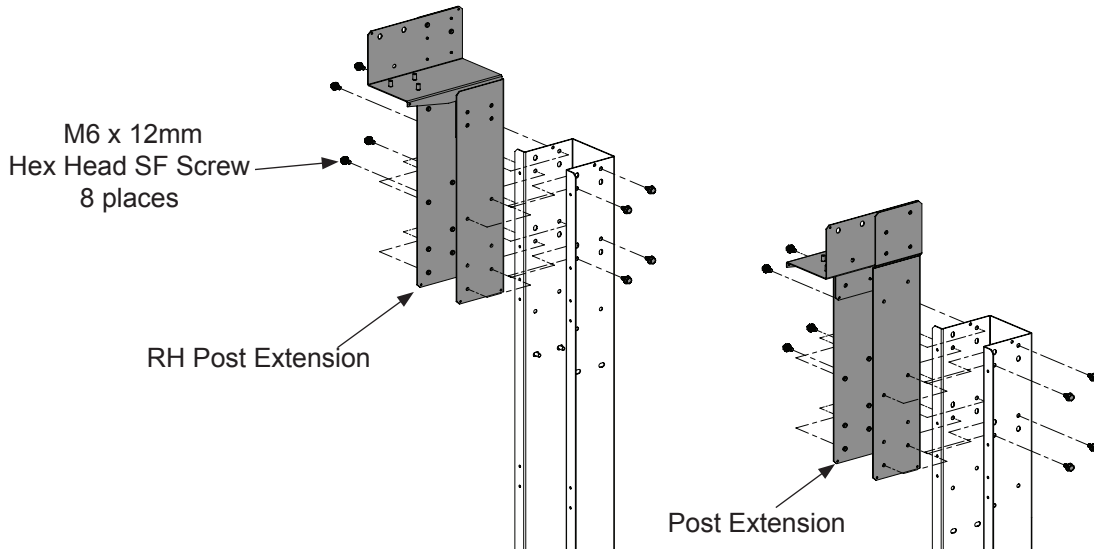


2

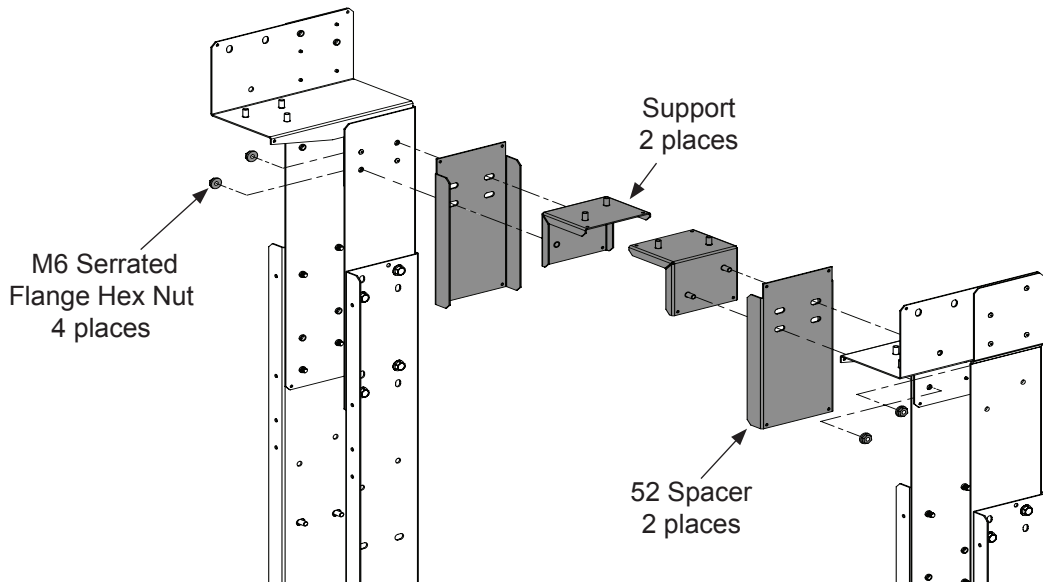


Attaching 52RU Post Extensions, Supports, and 52 Spacers

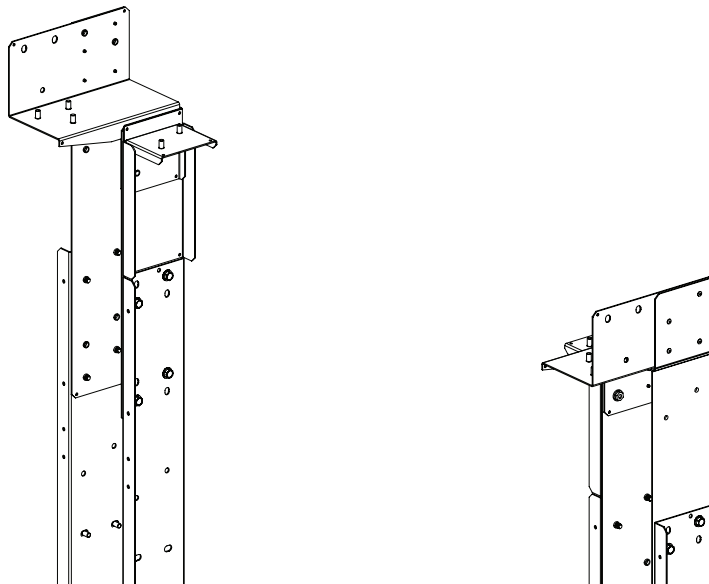
1



2

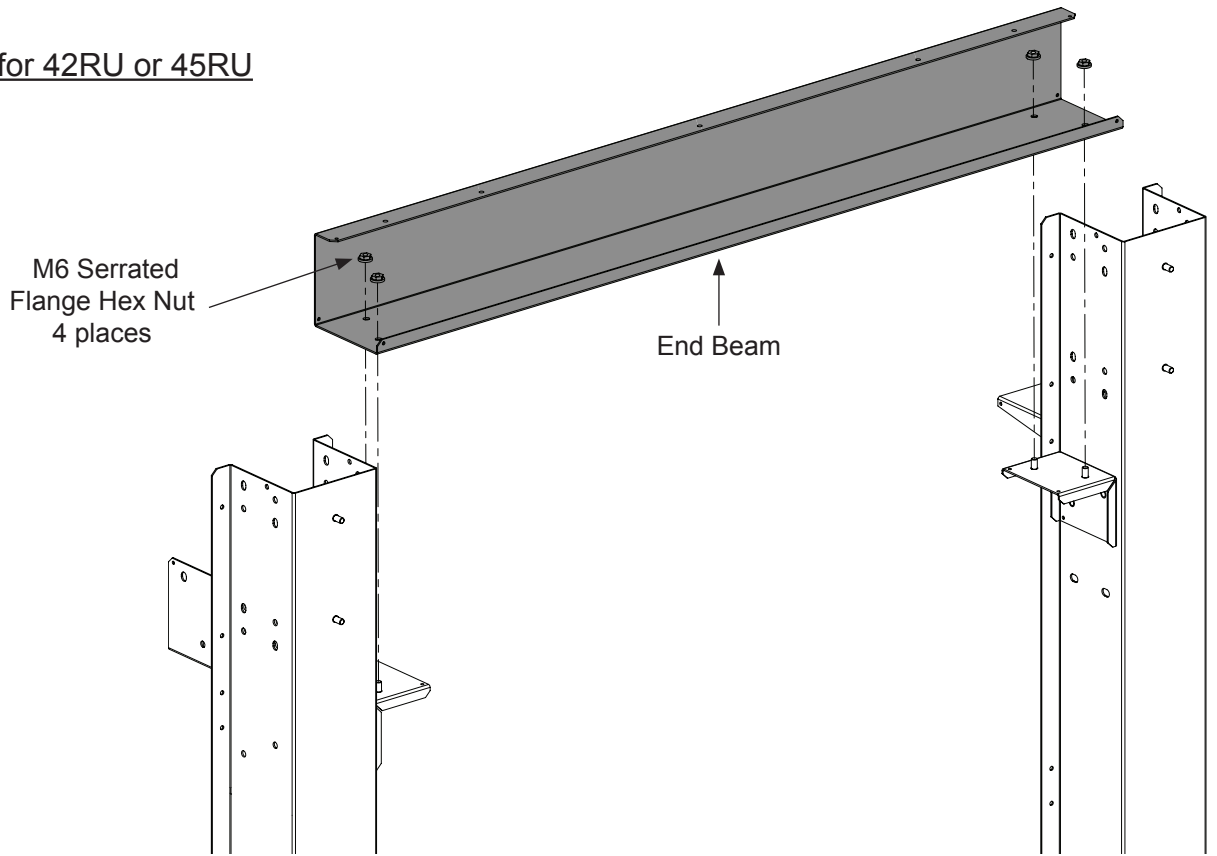


3

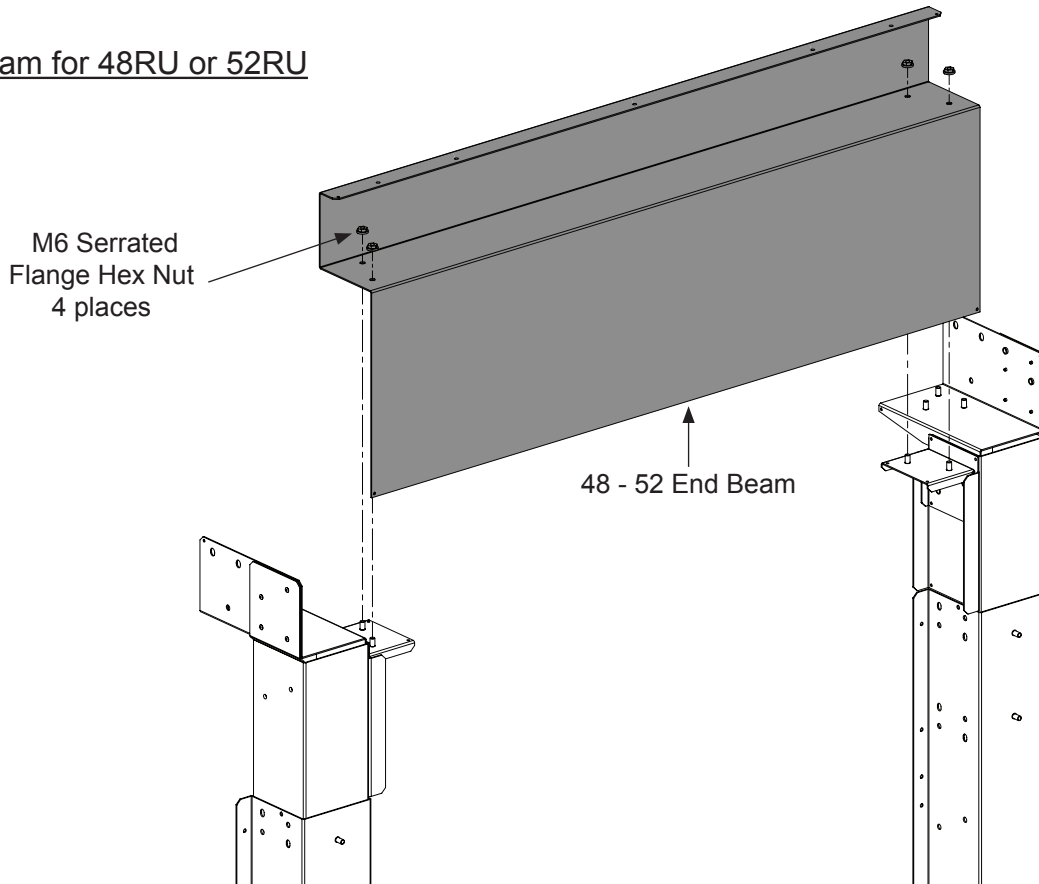


Attaching Single Row End Beams

End Beam for 42RU or 45RU



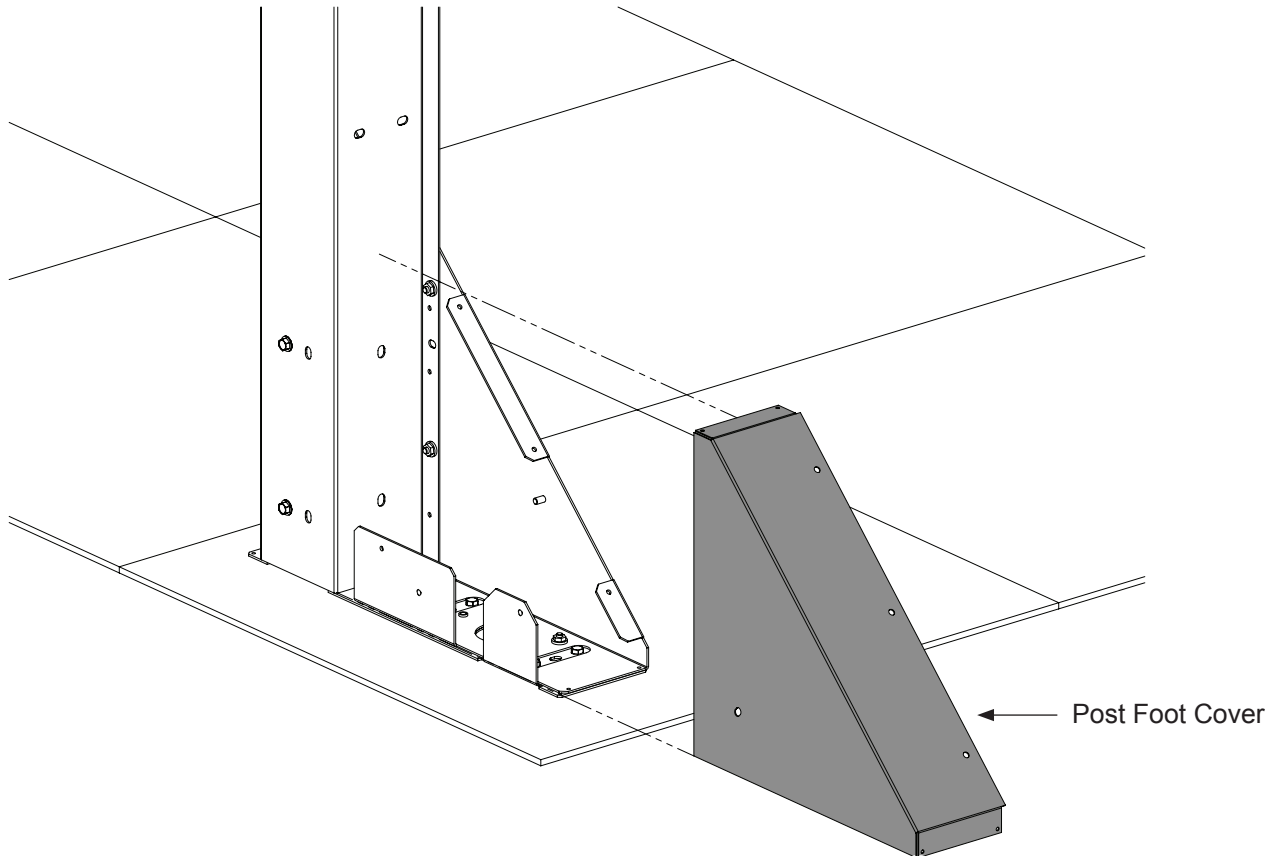
End Beam for 48RU or 52RU



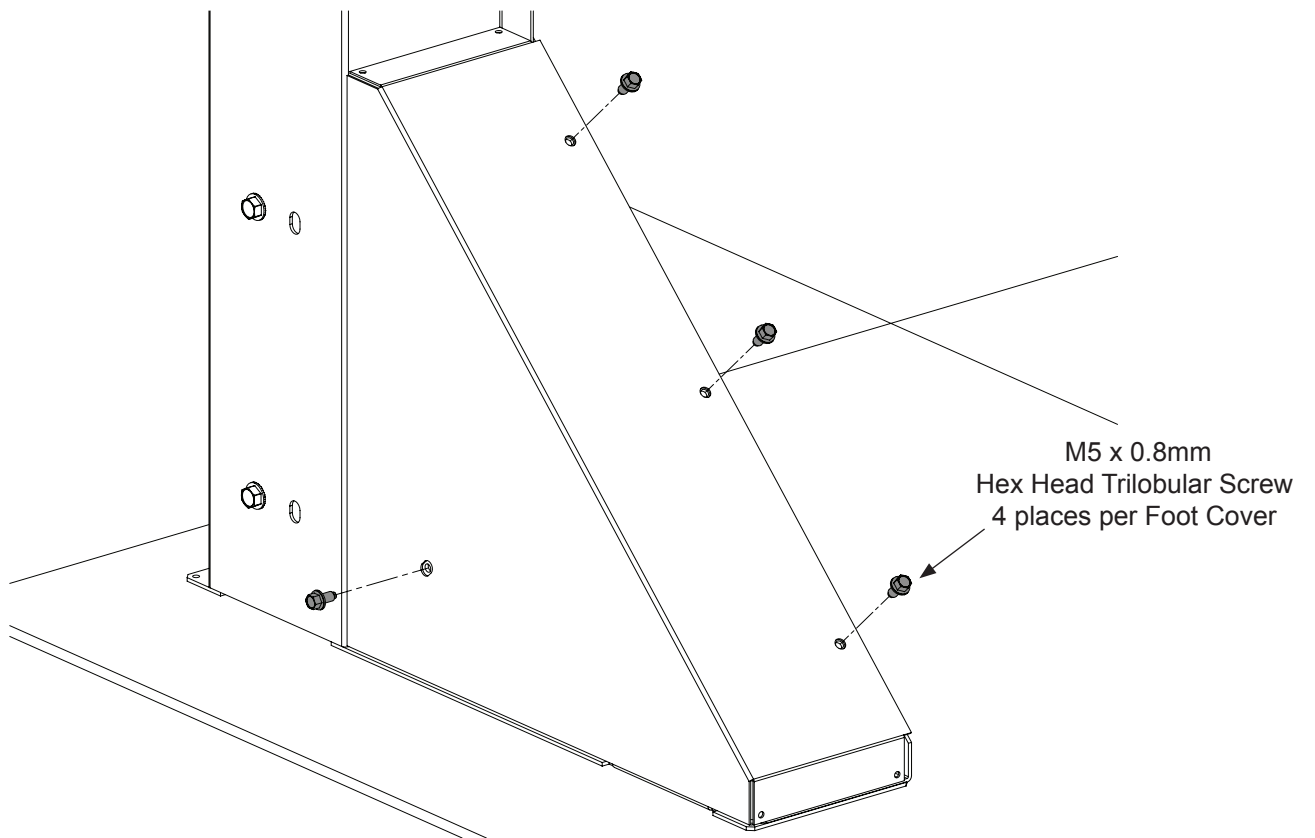
Attaching Post Foot Covers

One Post Foot Cover is included with each End of Row Frame. Two Post Foot Covers come with the Conversion Kit.

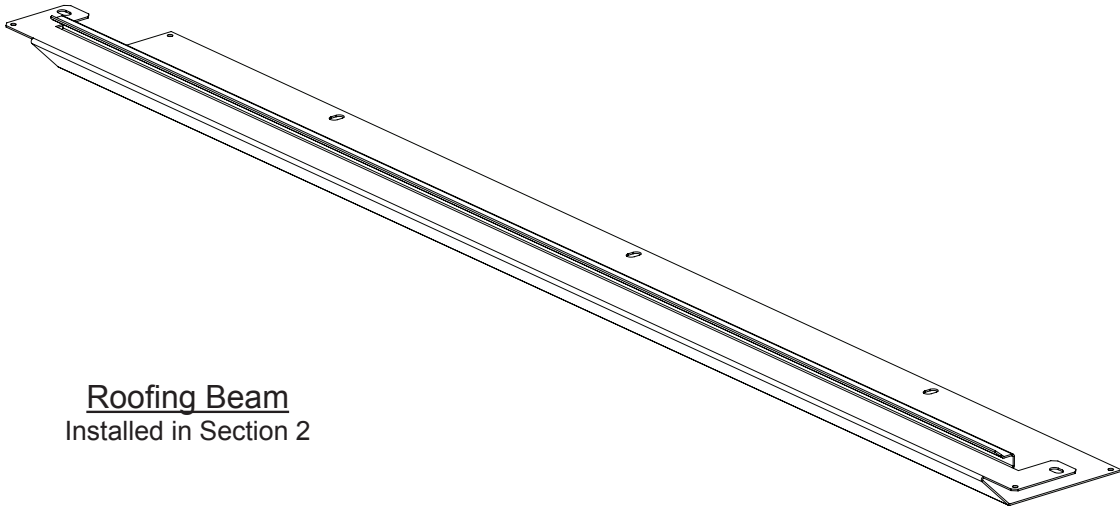
1



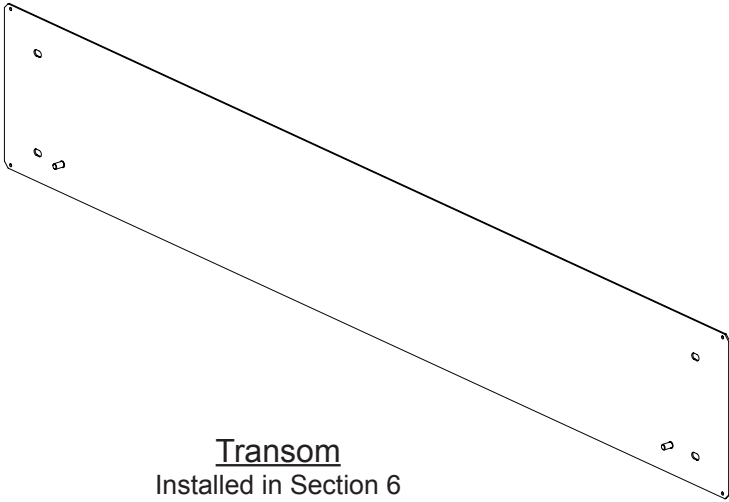
2



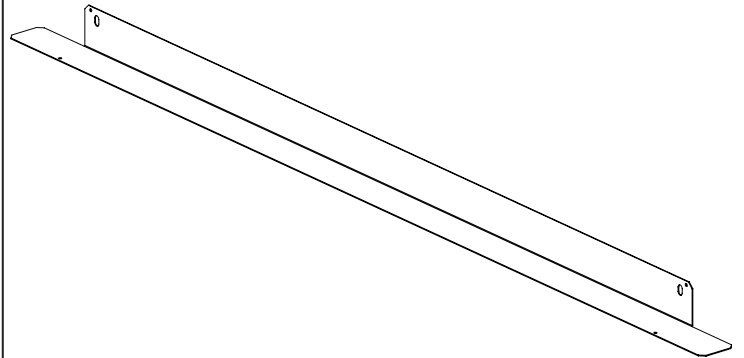
Remaining components to be assembled in later steps



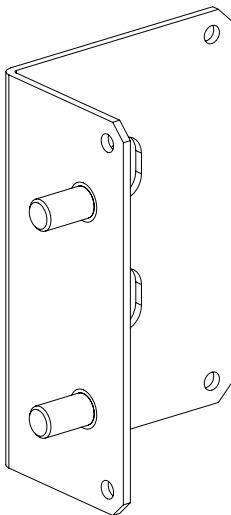
Roofing Beam
Installed in Section 2



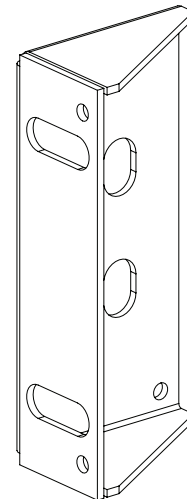
Transom
Installed in Section 6



Transom Seal
Installed in Section 6

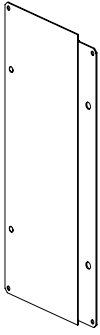


Door Portion of Door Bracket, Cabinet Side (2)
Installed in Section 6



Door Portion of Door Bracket, Wall Side (2)
Installed in Section 6

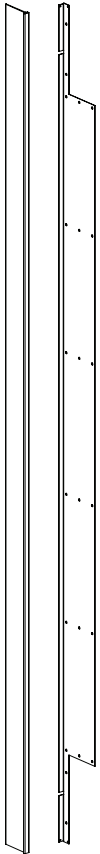
Remaining components that are unused



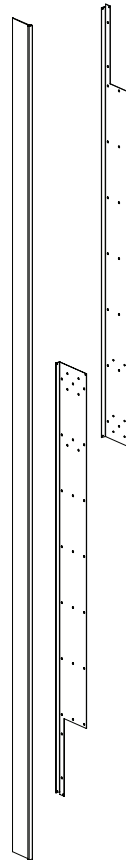
Qty. 2 Panel 1200



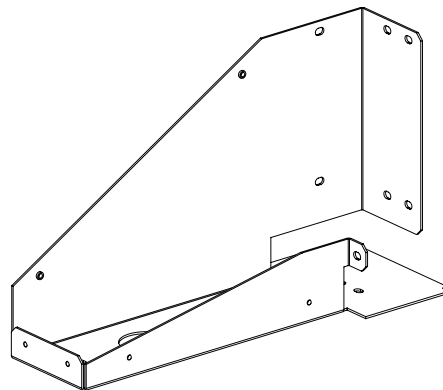
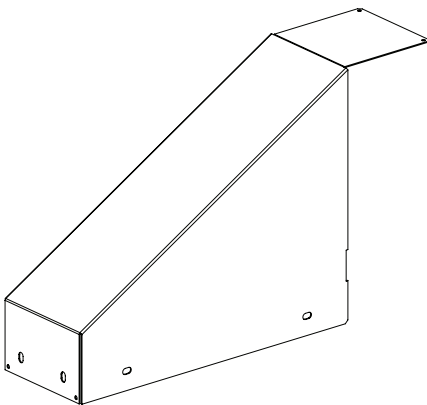
Qty. 2 Panel 1150



Post Seal 42-45
& 3" Flap Seal
comes with CUSREFRT8**



48/52 Post Seal A & B
& 3" Flap Seal
comes with CUSREFRT9**



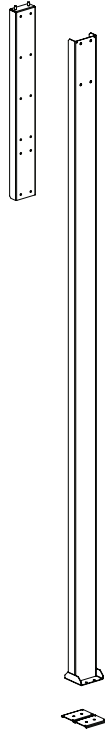
Post Foot & Foot Cover
Wall Side

SECTION 2

Installation of the Wall Beam, Mid-Span Support Post & Cabinet Support, and Wall Beam-to-Wall Seal Kit

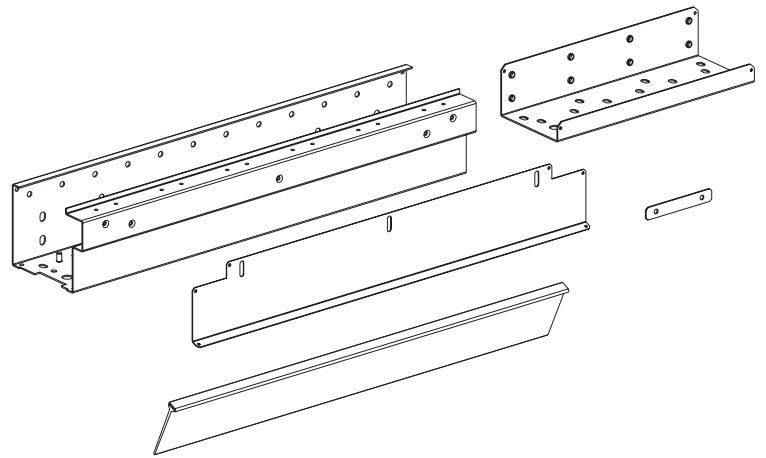
Part Number(s)

CUSMPR52ST01**



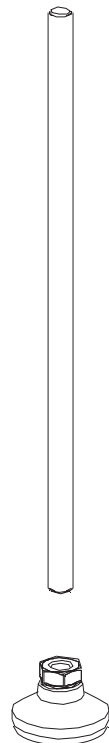
Part Number(s)

CUWBSS06ST01**, **CUWBPS06ST02****
CUWBSS07ST01**, **CUWBPS07ST02****
CUWBSS08ST01**, **CUWBPS08ST02****
CUWBSS24ST01**, **CUWBPS24ST02****



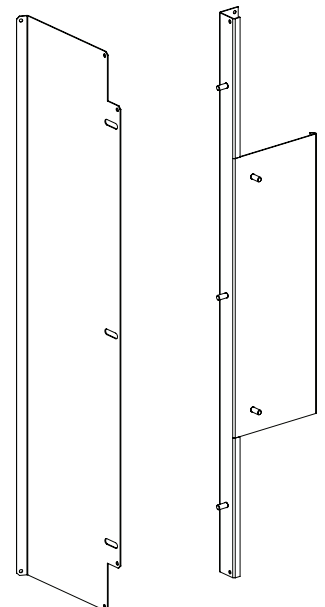
Part Number(s)

CUCMSS03ST01NC
CUCMSS06ST01NC



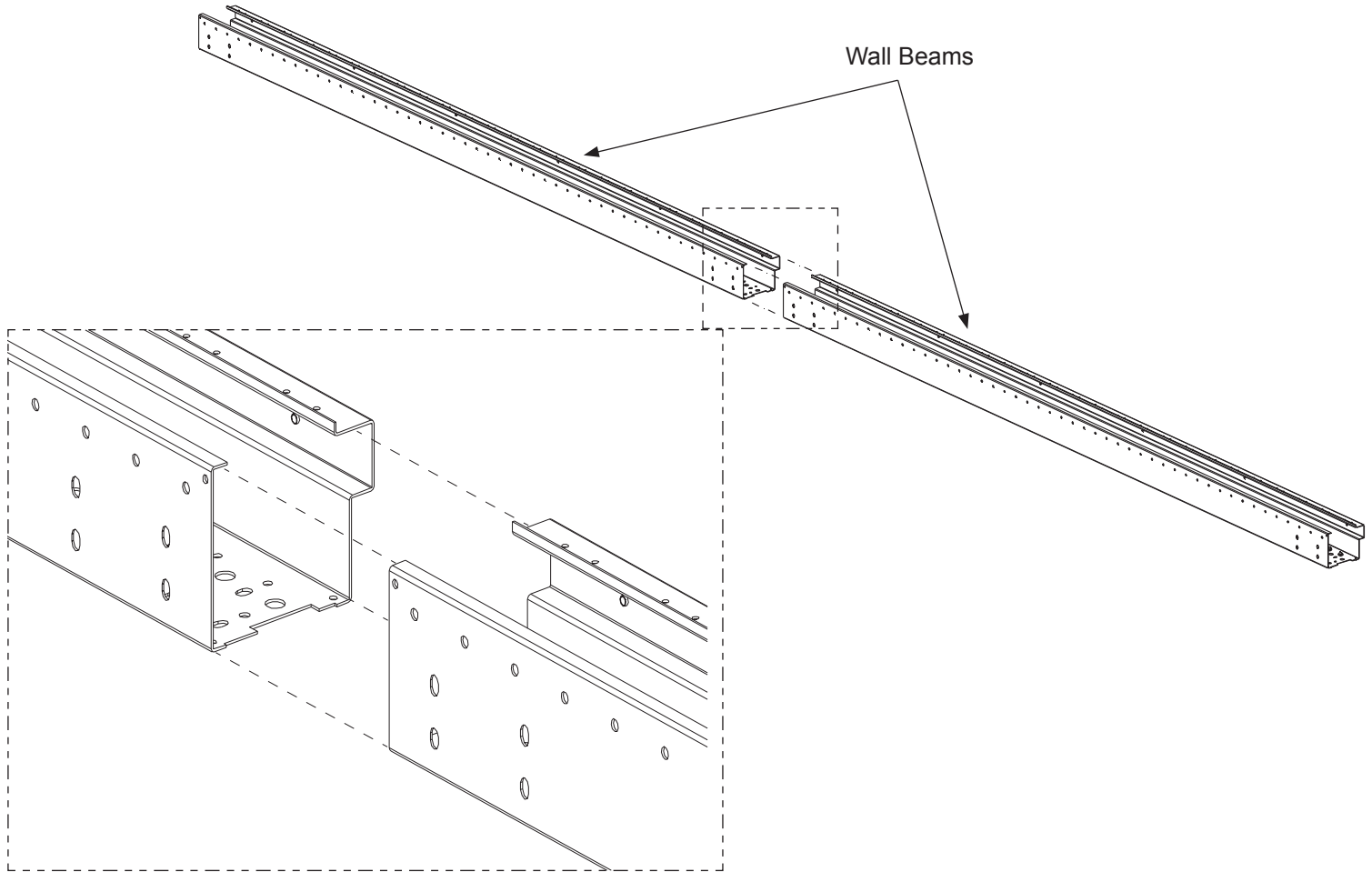
Part Number(s)

CUSRWSK06**
CUSRWSK07**
CUSRWSK08**
CUSRWSK24**

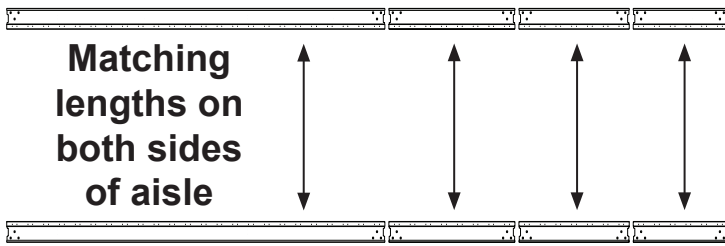


Aligning Wall Beams

- Place the required number of wall beams next to each other, end to end.
- Ensure that the wall beams are matching lengths on both sides of the aisle.
- i.e. 600mm wall beam across from 600mm beam; 2400mm wall beam across from 2400mm beam, etc.



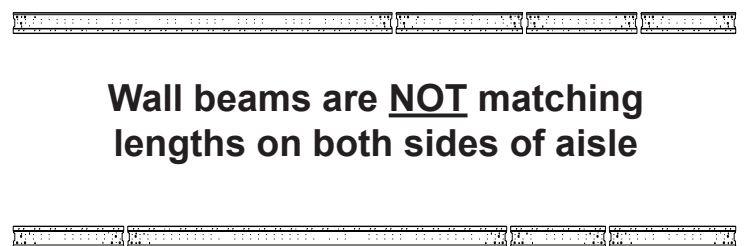
CORRECT



Matching lengths on both sides of aisle

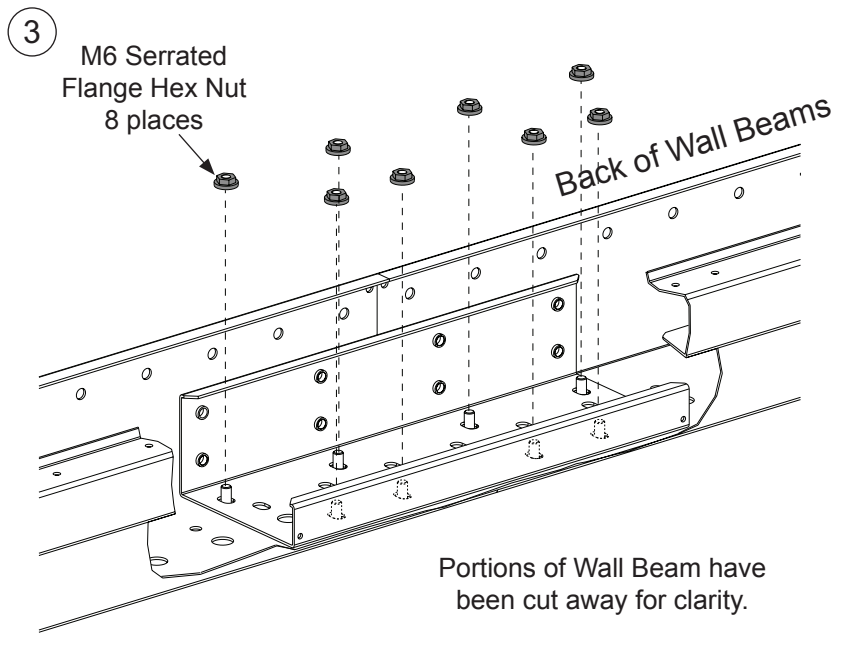
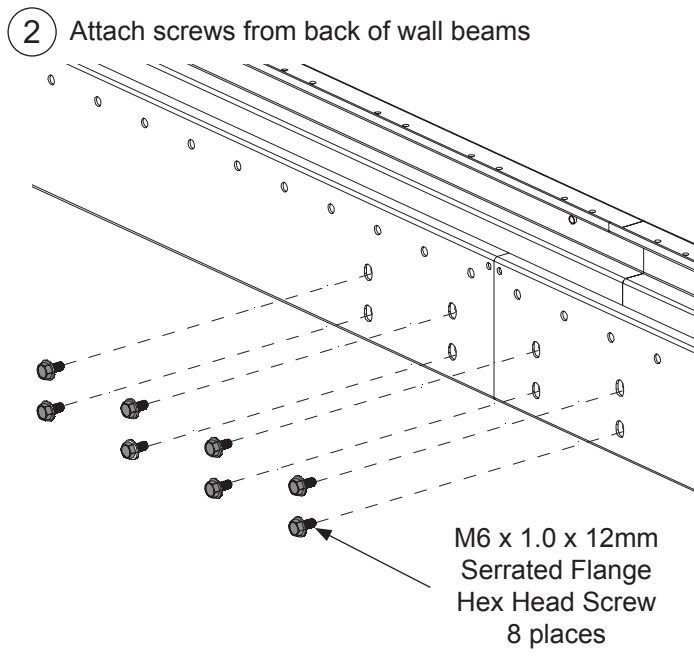
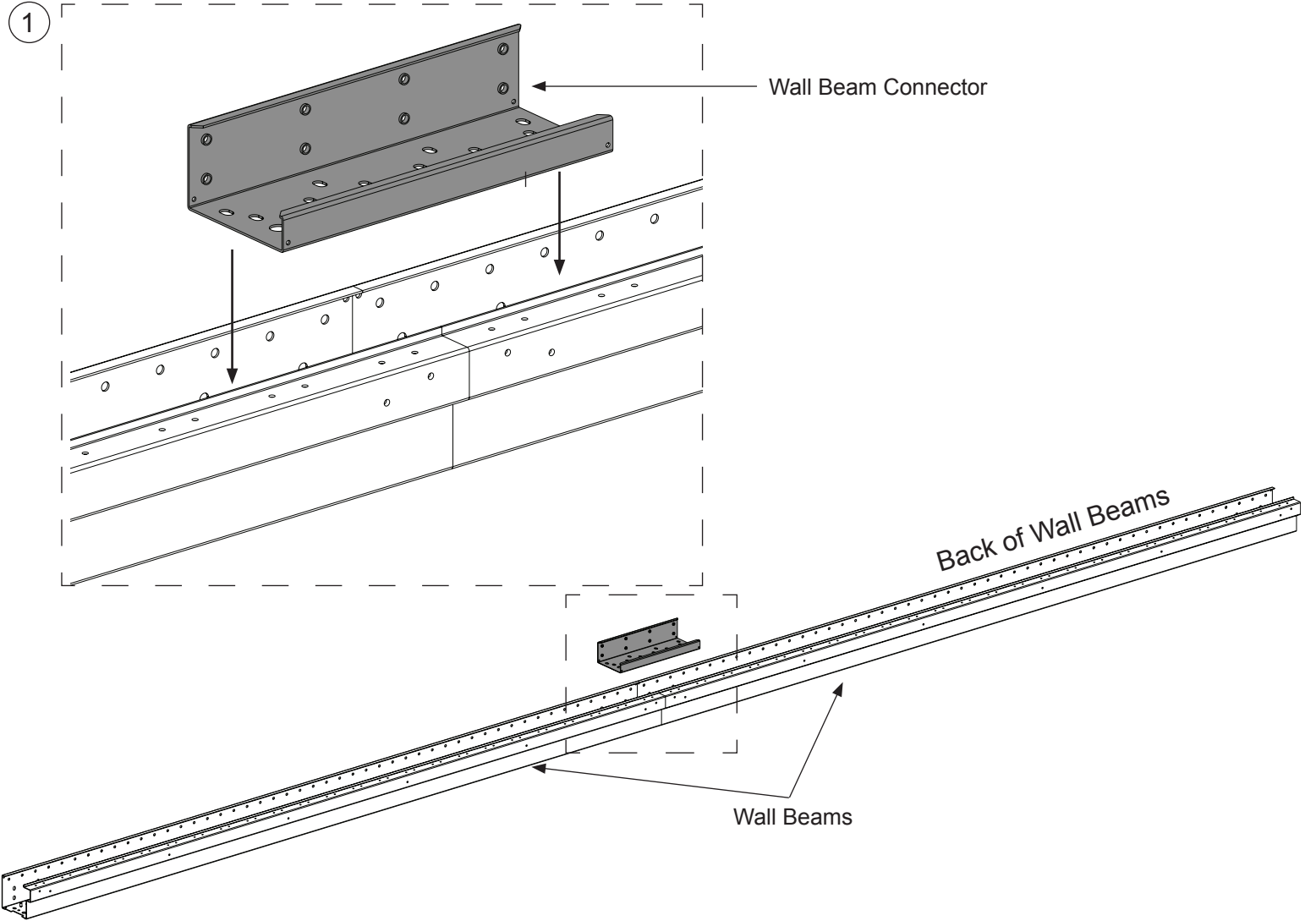


NOT CORRECT

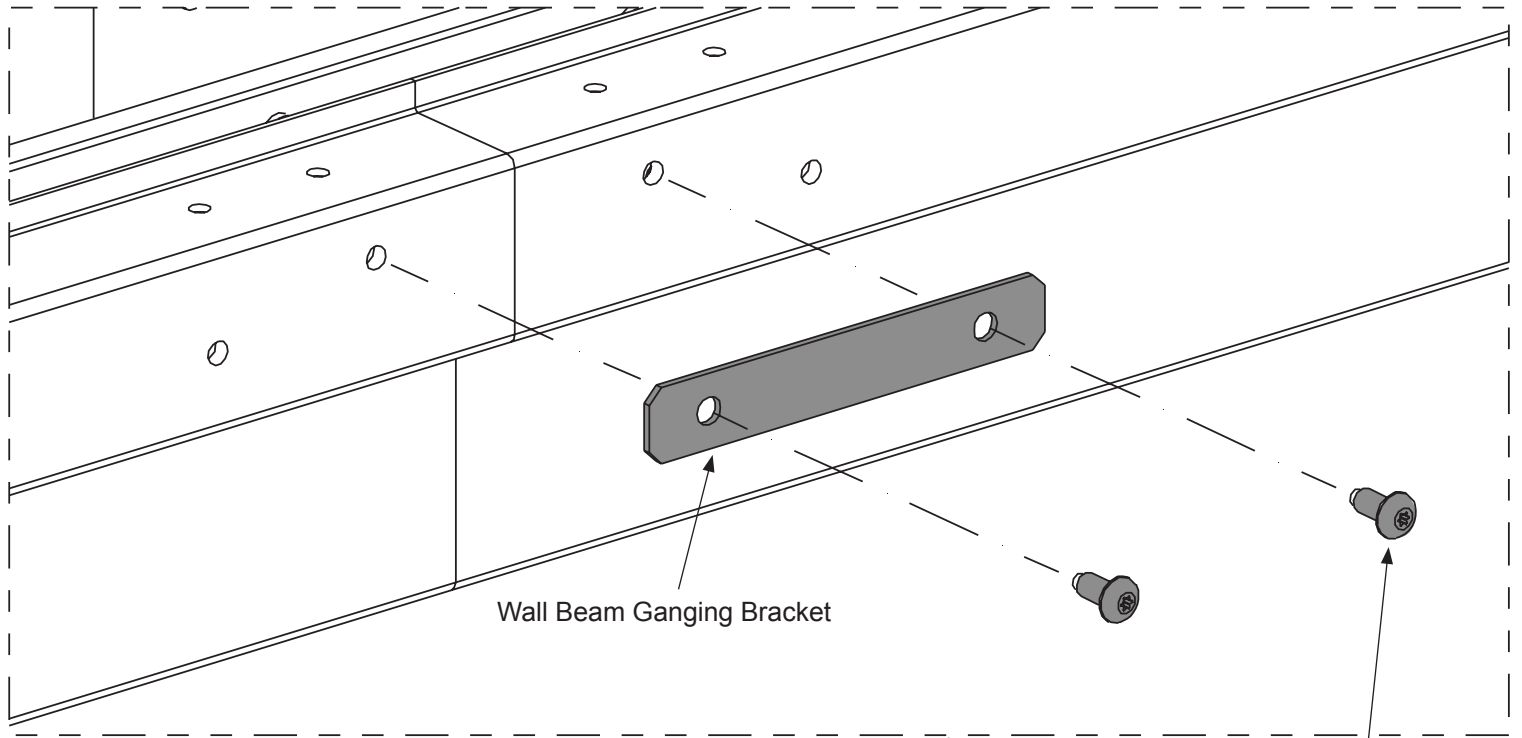


Wall beams are NOT matching lengths on both sides of aisle

Attaching Wall Beams together

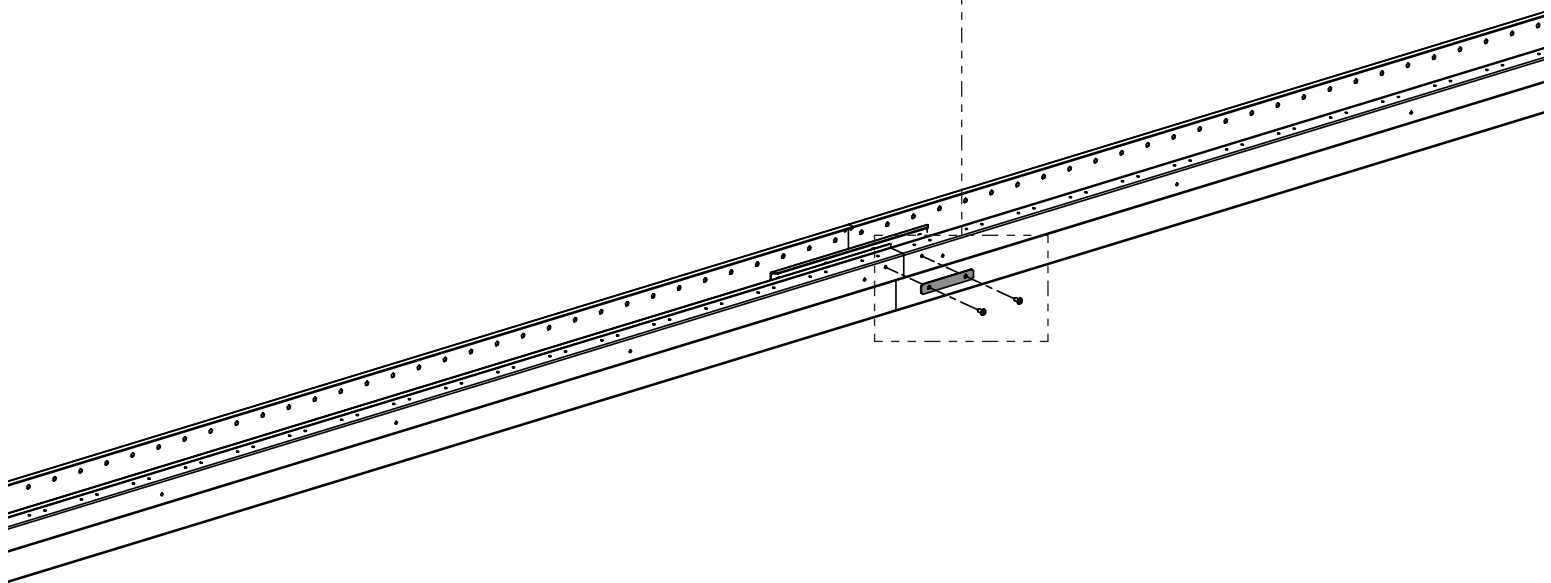


4



Wall Beam Ganging Bracket

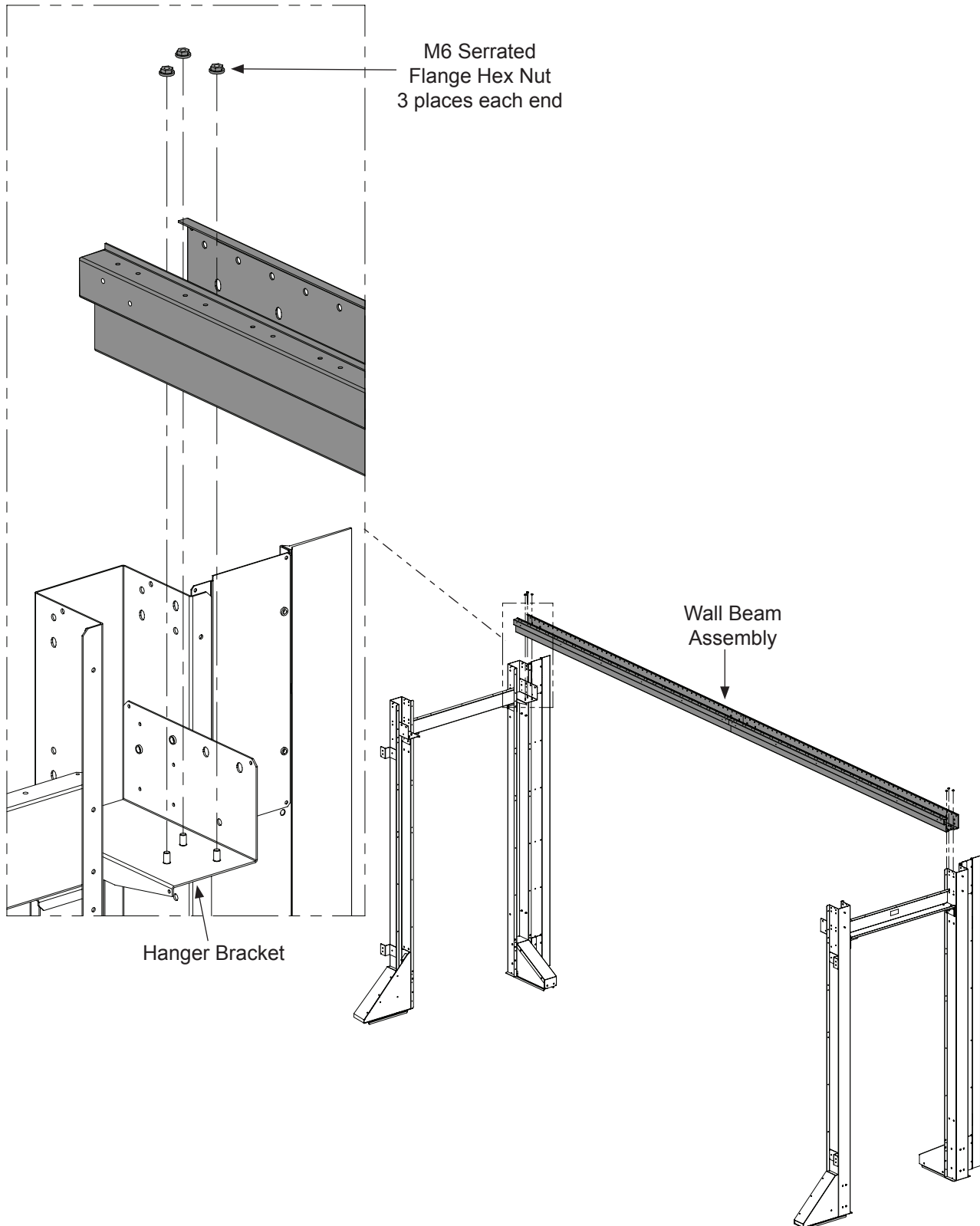
M5 x 0.8 x 12mm
Button Head, Torx Drive
Serrated Trilobular Screw
w/ Dog Point
2 places



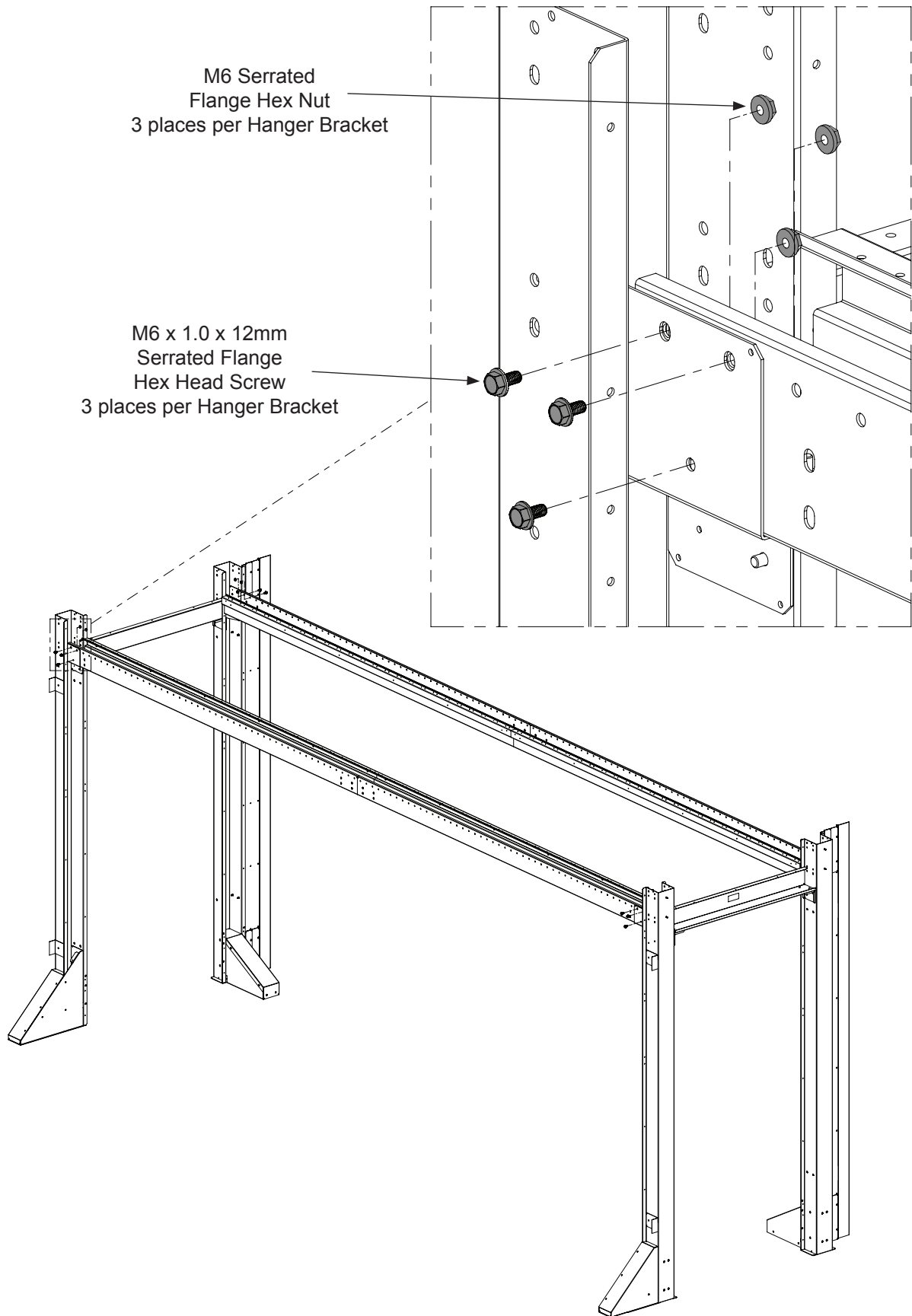
Attaching Wall Beam Assembly to End of Row Frames

(A Minimum of 2 People are required for this step)

- Lift (1) Wall Beam assembly above the end of row frames.
- Lower the Wall Beam assembly onto the hanger bracket.
- Secure Wall Beam assembly in to each hanger bracket with a total of (6) M6 Serrated Flange Hex Nuts.



Securing Wall Beam Assembly

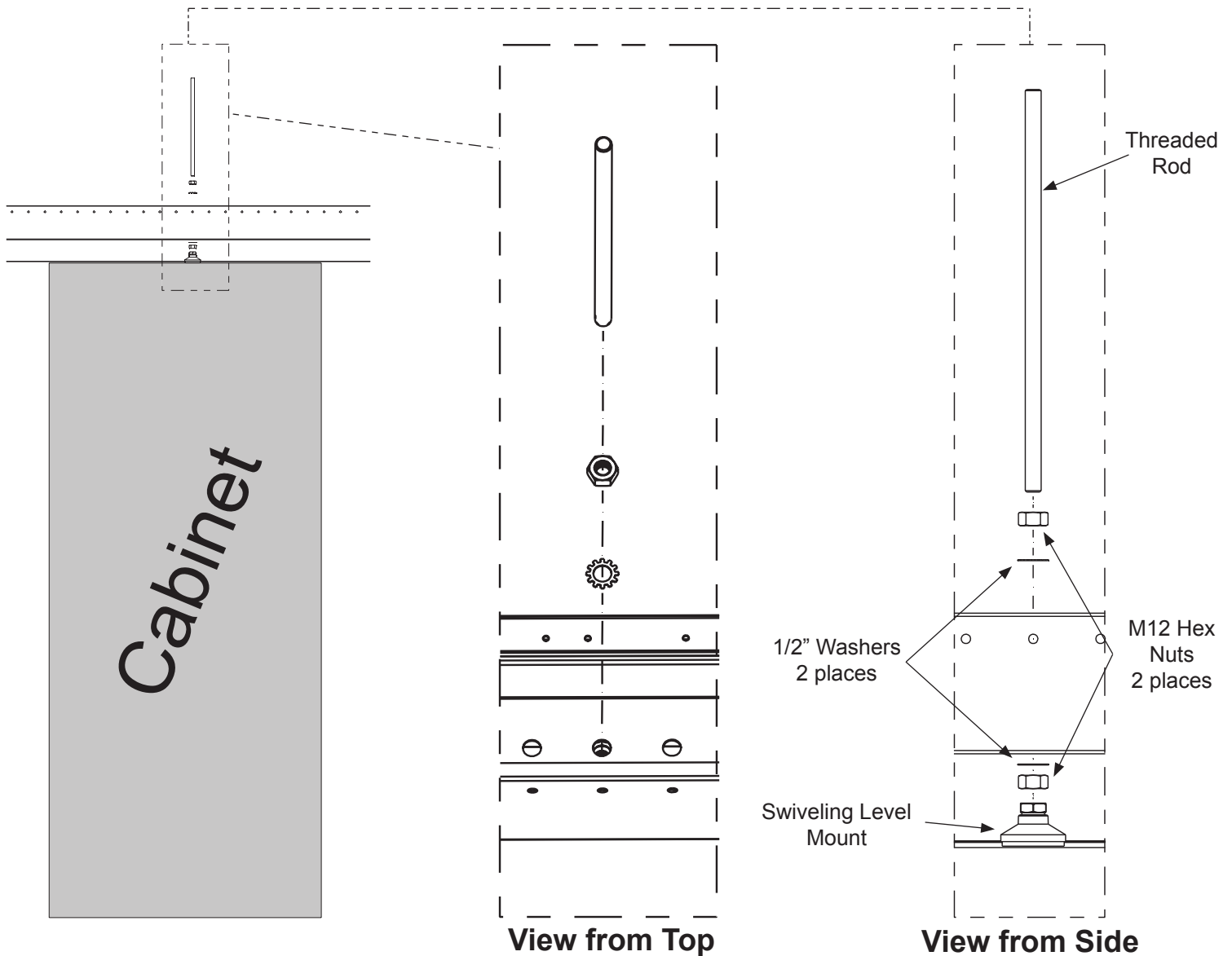


Mid-Span Support for Wall Beams

- Panduit recommends a mid-span support every 2,400mm (7.9'). The maximum distance without a mid-span support is 4,800mm (16').
- Wall beams can be supported using any of the following:
 - Mid-span cabinet support
 - Threaded rod suspended from the ceiling
 - Mid-span support post

Supporting Wall Beams using Mid-Span Cabinet Support

- Thread the mid-span cabinet support rod through a M12 hex nut, a 1/2" washer, the wall beam, then through another 1/2" washer, M12 hex nut and finally into the swiveling level mount.

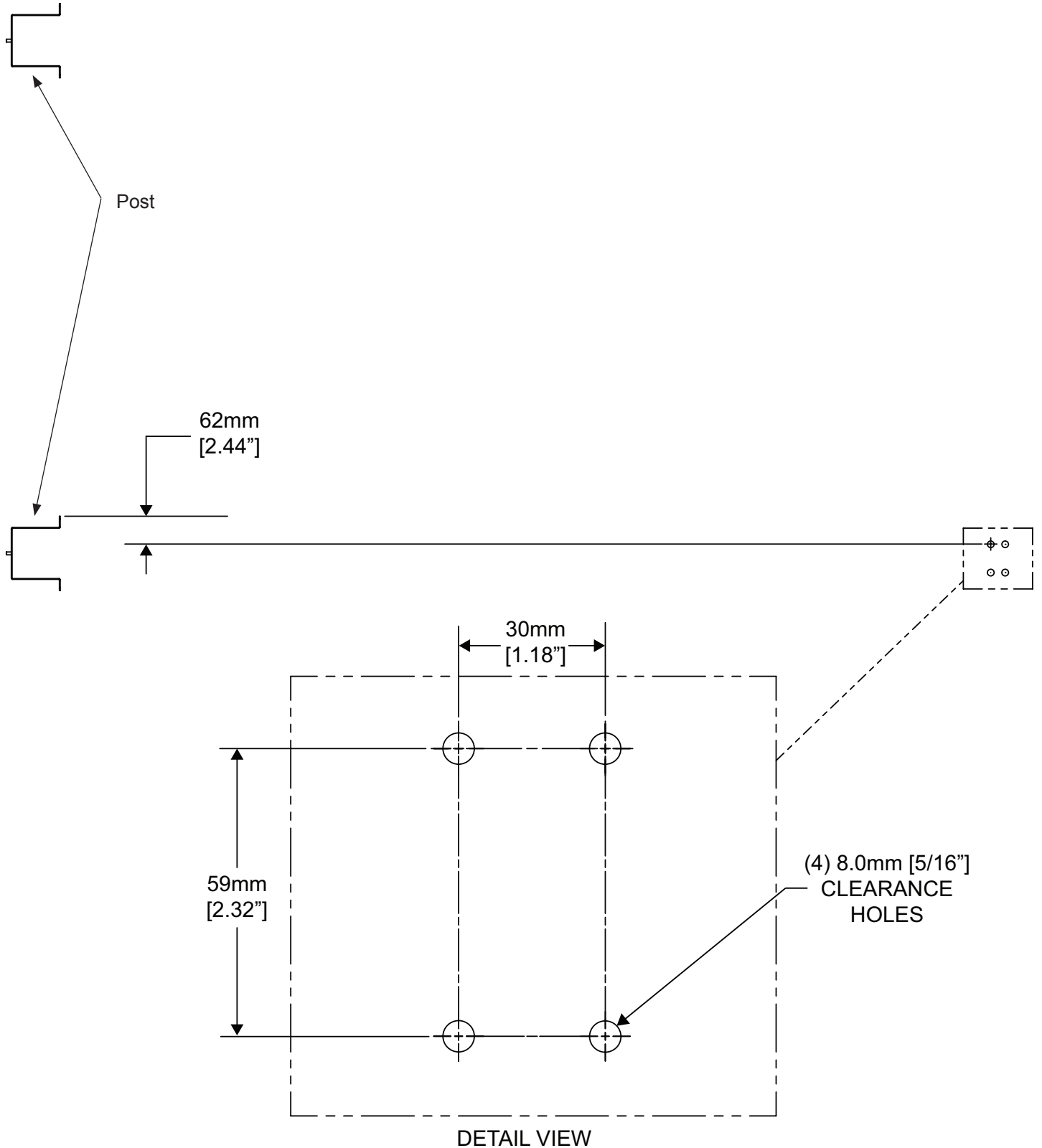


Supporting Wall Beams using Threaded Rod

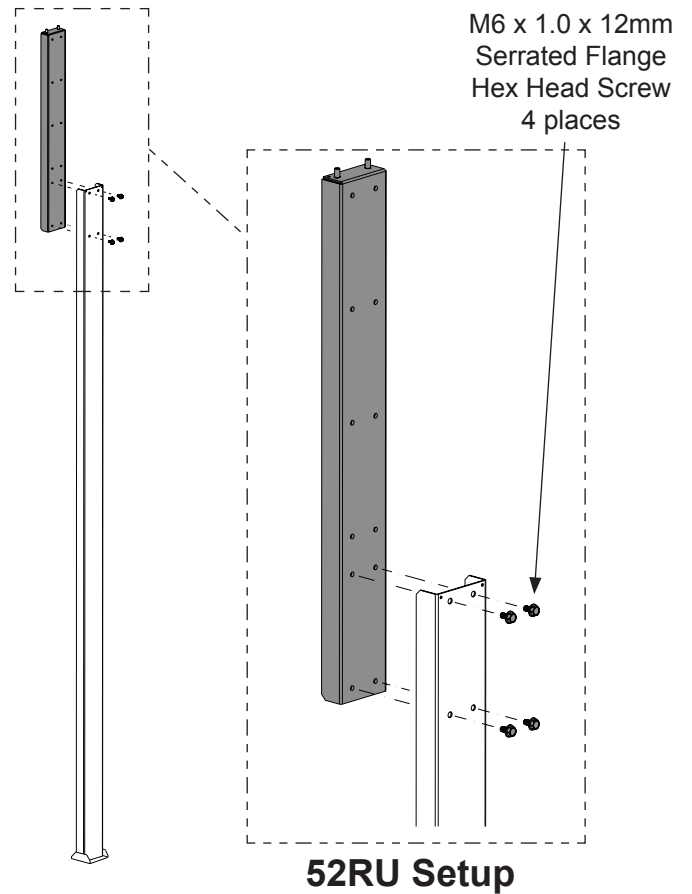
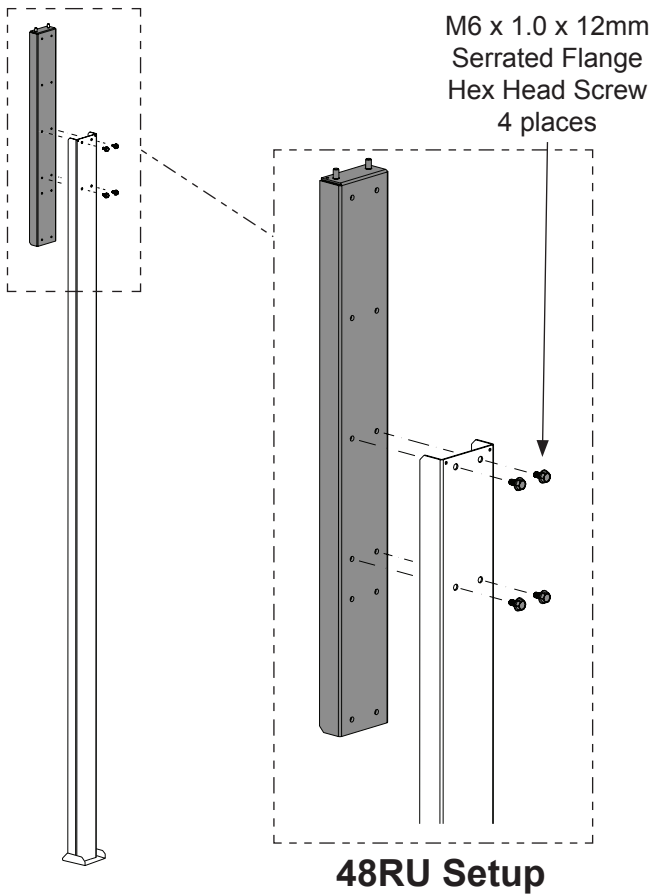
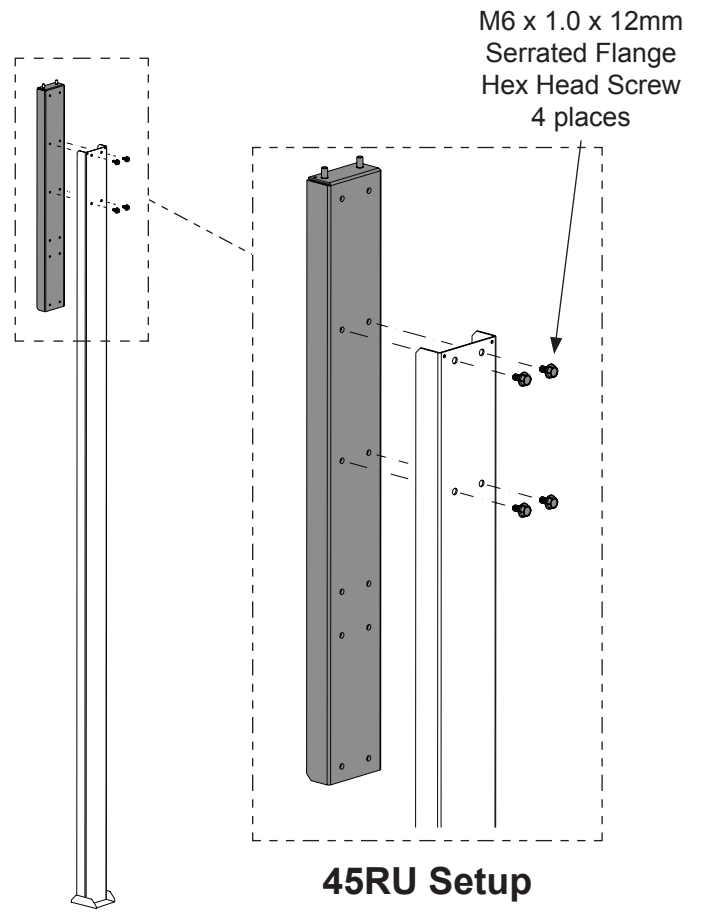
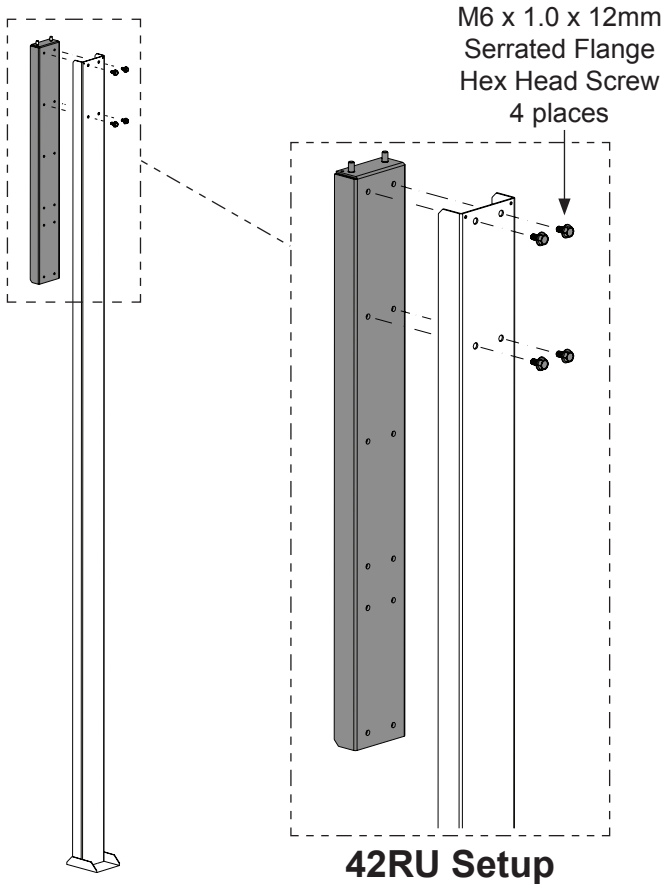
- Wall beams can be supported using threaded rod suspended from the ceiling. Threaded rod can be attached using the same holes as the Mid-Span cabinet support shown above.

Location for Mid-Span Support Post (optional)

- See detail view shown below for dimensions for drilling pilot holes for Mid-Span Support Post.
- Pilot holes can be either pre-drilled or drilled using the Mid-Span Support as a template.
- Views are not shown to scale to help illustrate dimensional requirements.

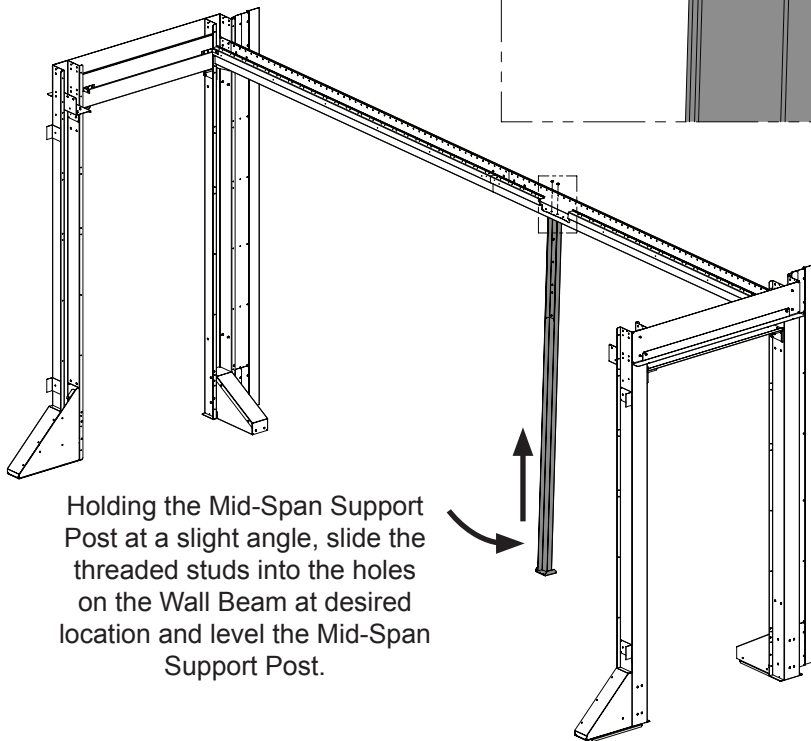
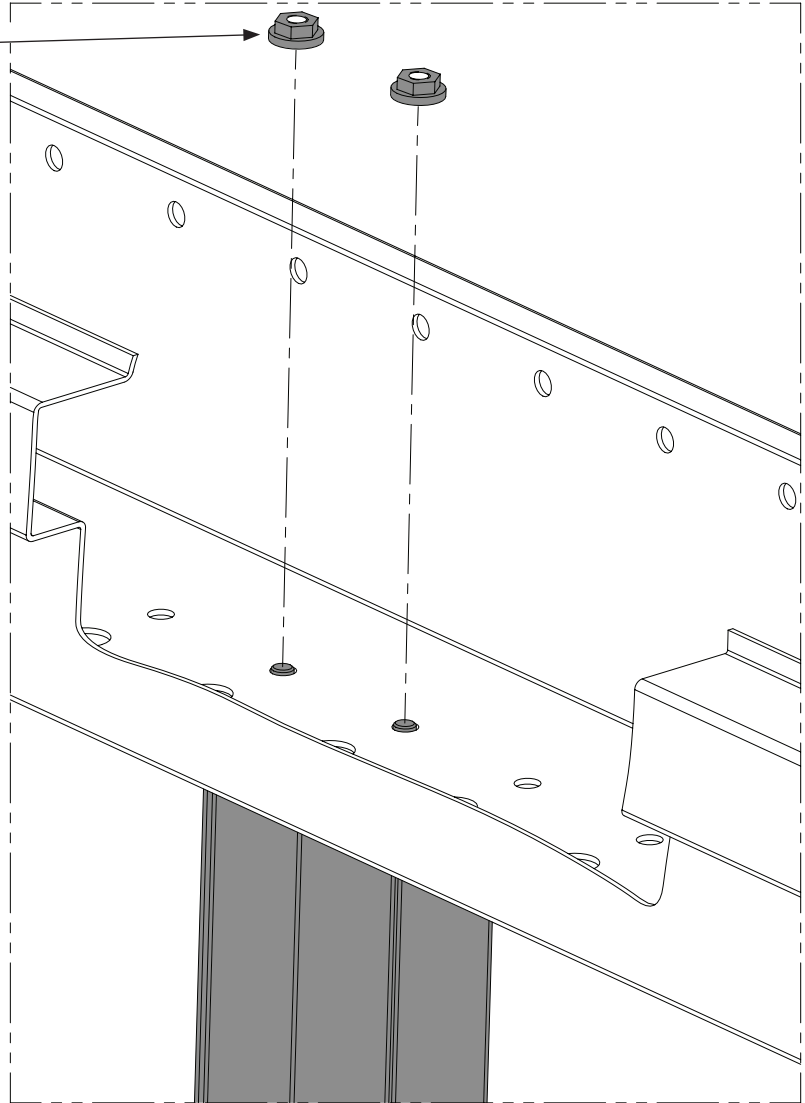


Attaching Support Bracket to Support Post



Attaching Mid-Span Support Post to Wall Beam

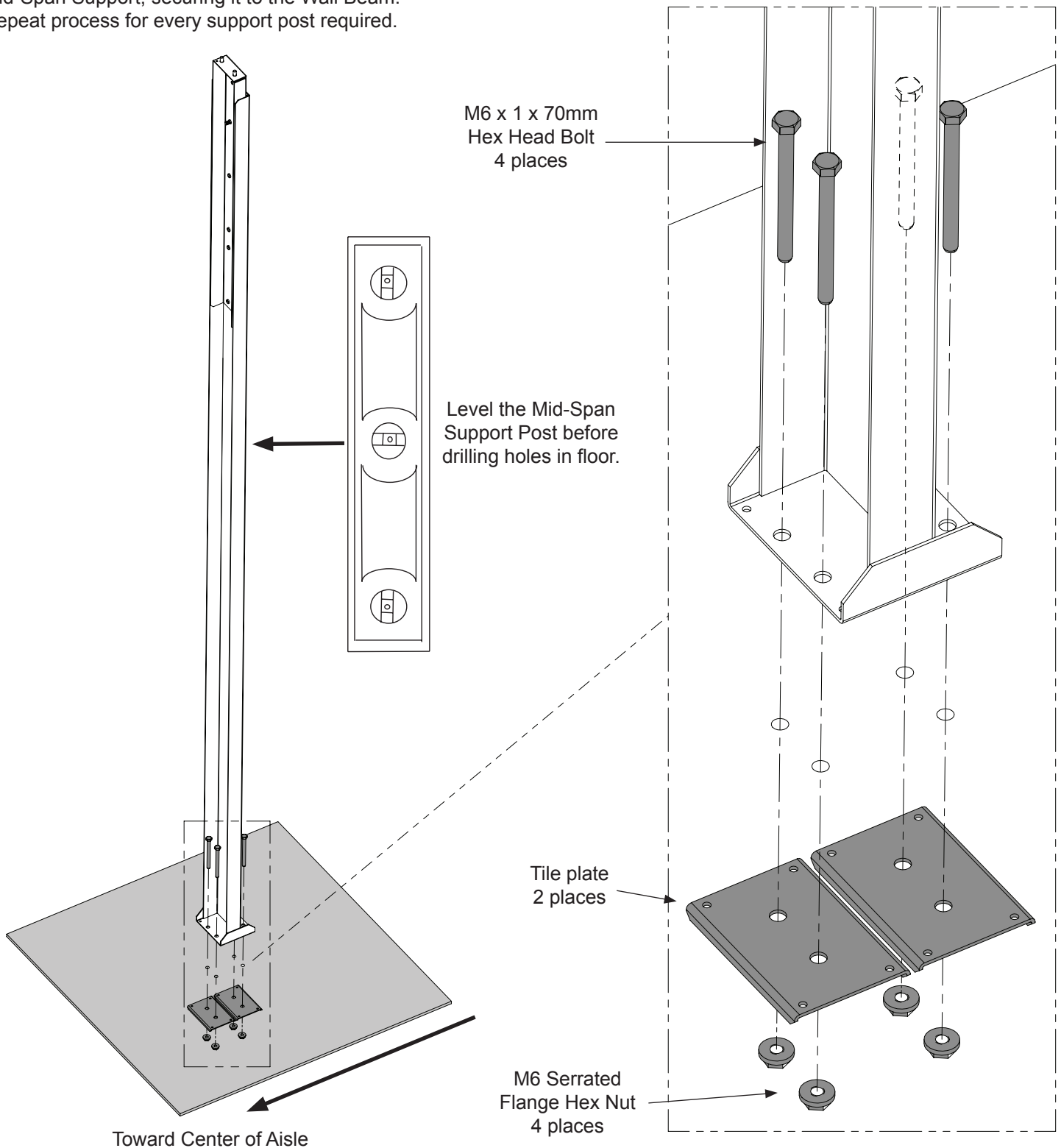
M6 Serrated
Flange Hex Nut
2 places
IF PILOT HOLES IN FLOOR
HAVE NOT BEEN DRILLED YET
DO NOT TIGHTEN



Holding the Mid-Span Support Post at a slight angle, slide the threaded studs into the holes on the Wall Beam at desired location and level the Mid-Span Support Post.

Attaching Support Post to floor

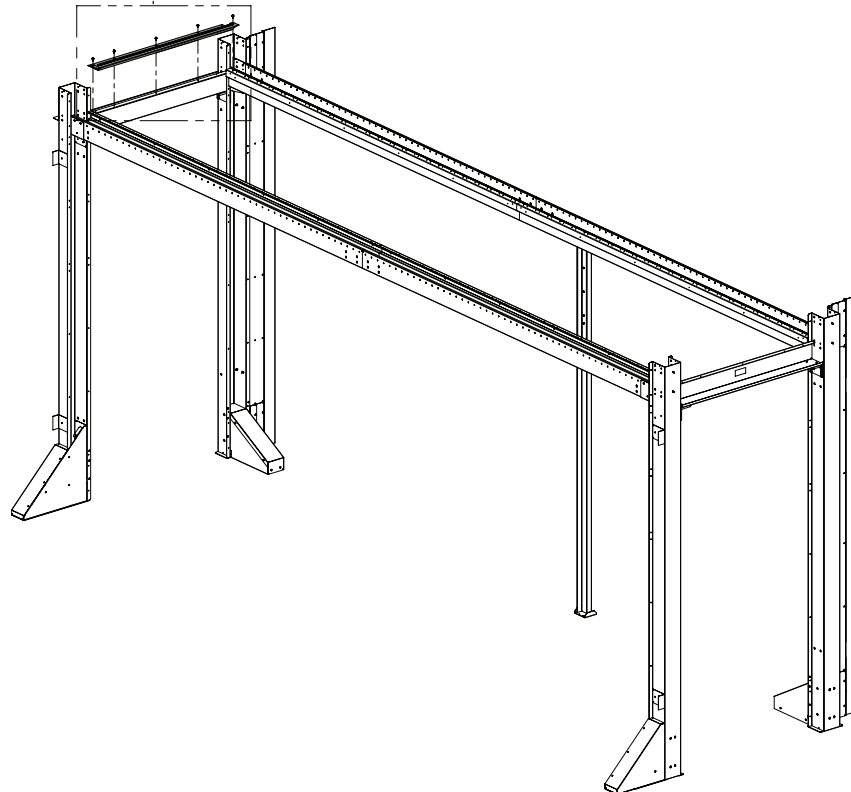
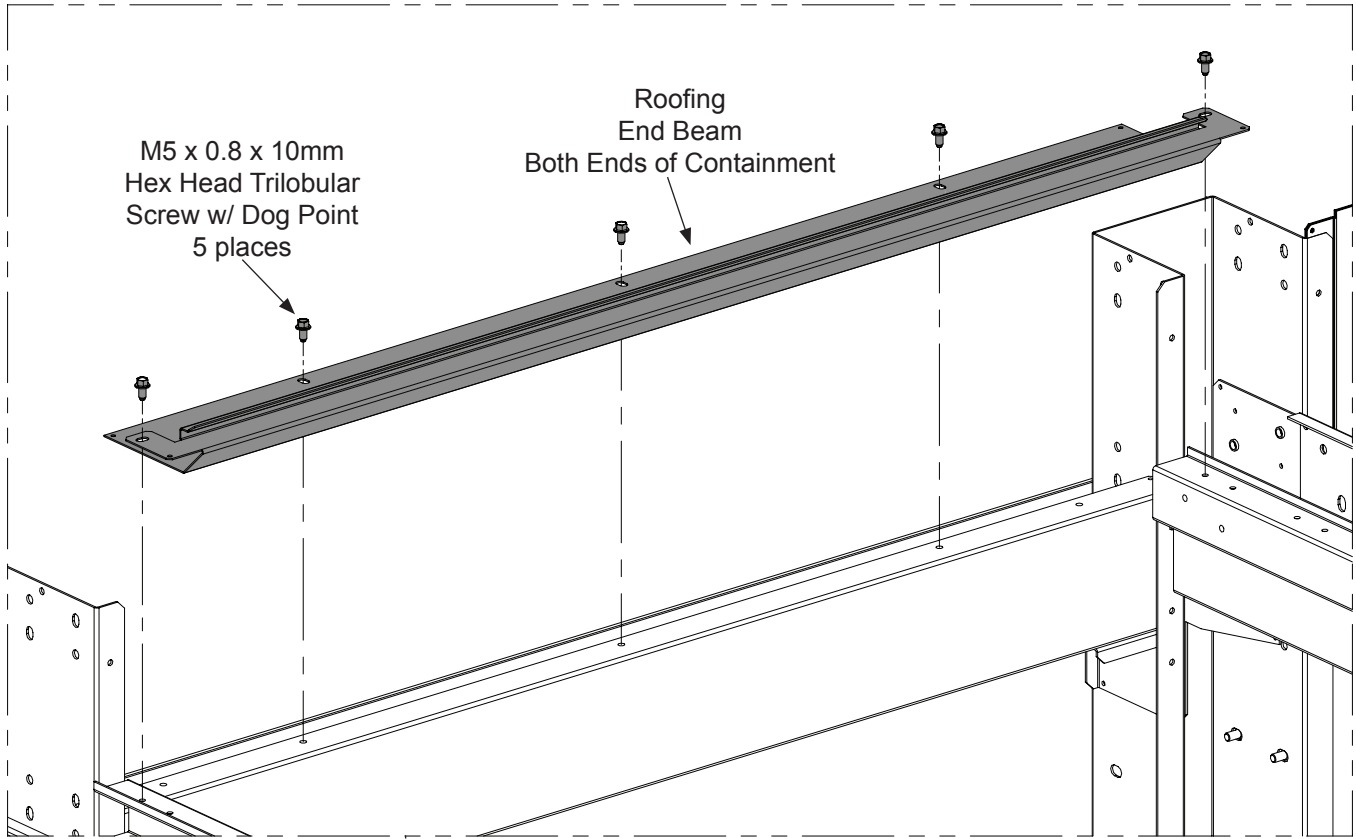
- From the floor, remove a tile that is directly next to the tile that you will be attaching the support post to.
- Have (1) person hold the support post level in the Wall Beam. Have second person mark the holes locations in the tile.
- Temporary remove the Mid-Span Support Post and drill the 8.0mm holes.
- Replace the Mid-Span Support Post and insert (4) M6 x 1 x 70mm Hex Head Bolts through the foot of the support post.
- From underneath the tile, slide (2) tile plates over the (4) M6 x 1 x 70mm Hex Head bolts and secure into place with (4) M6 Serrated Flange Hex Nuts. Replace and tighten the M6 Serrated Flange Hex Nuts, shown in previous step, at the top of the Mid-Span Support, securing it to the Wall Beam.
- Repeat process for every support post required.



For Technical Support: www.panduit.com/resources/install_maintain.asp

Attaching Roofing Beam (Included with the End of Row Frame)

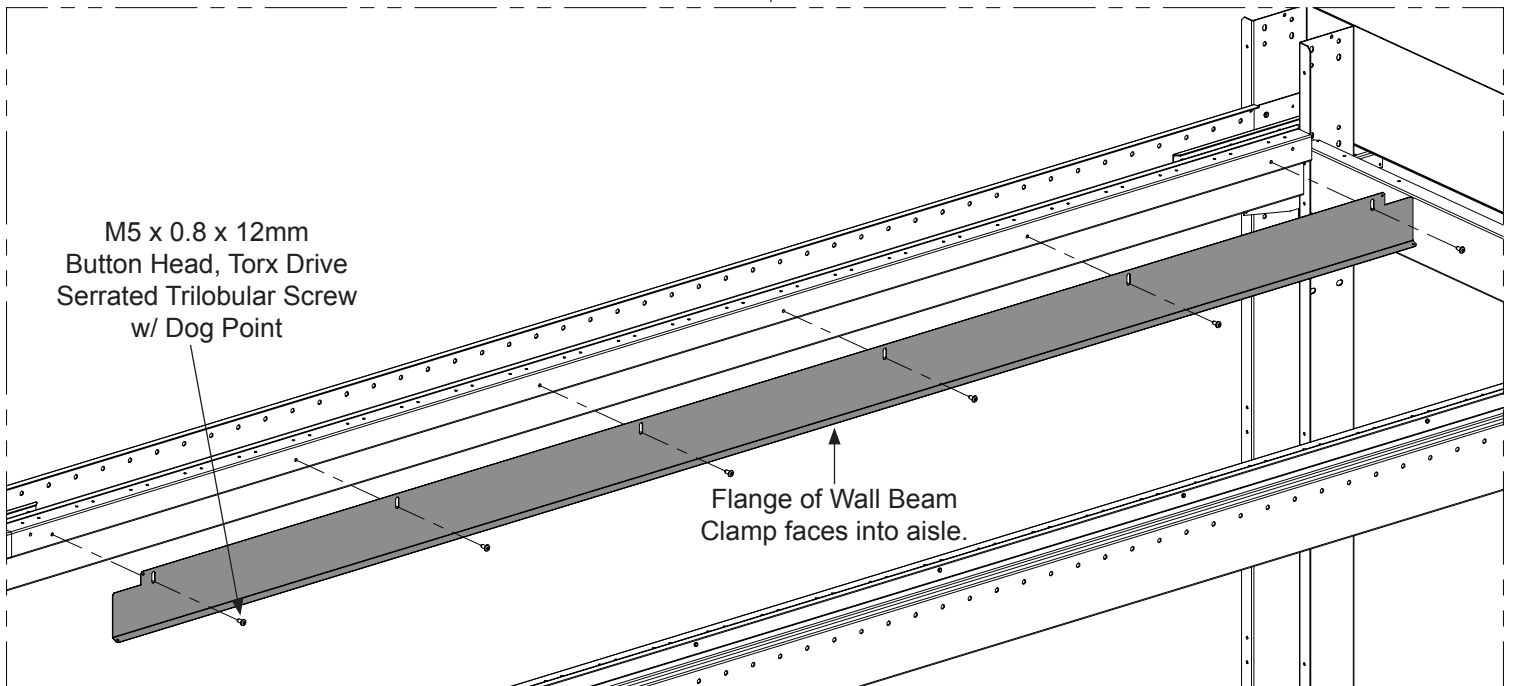
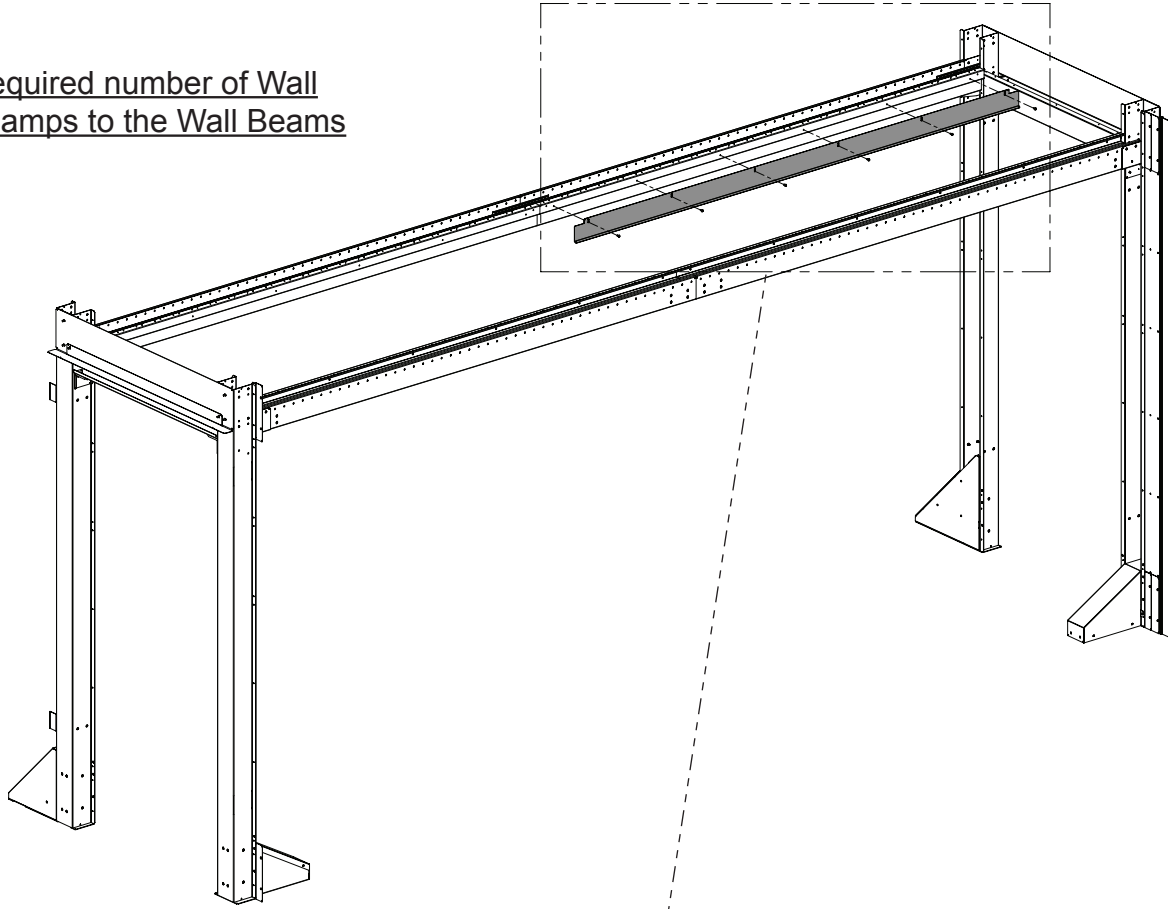
(For Roofing Containment set-up only)



Attaching Wall Beam Clamp (For cabinet side of containment only)

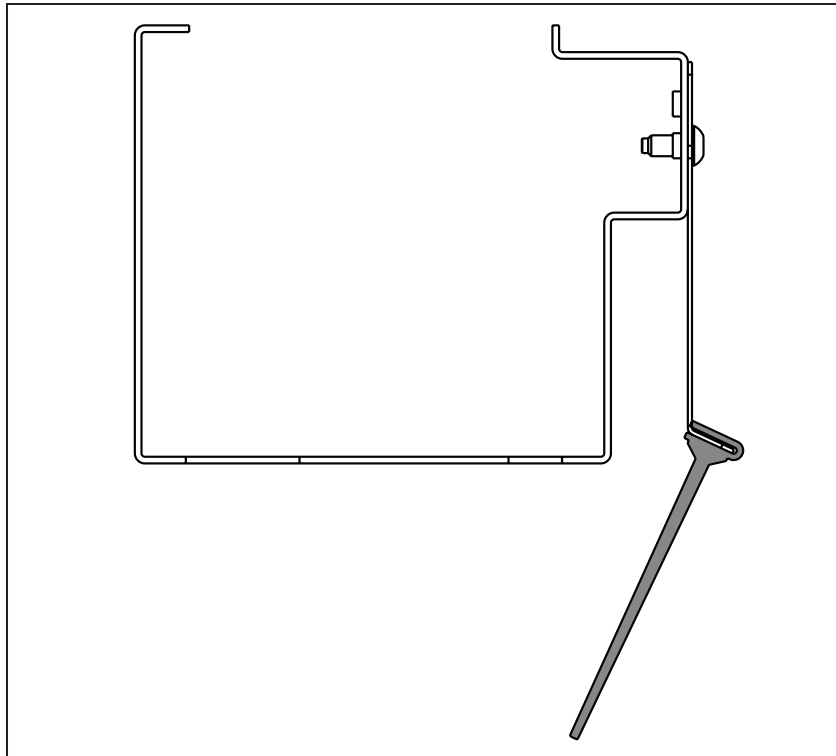
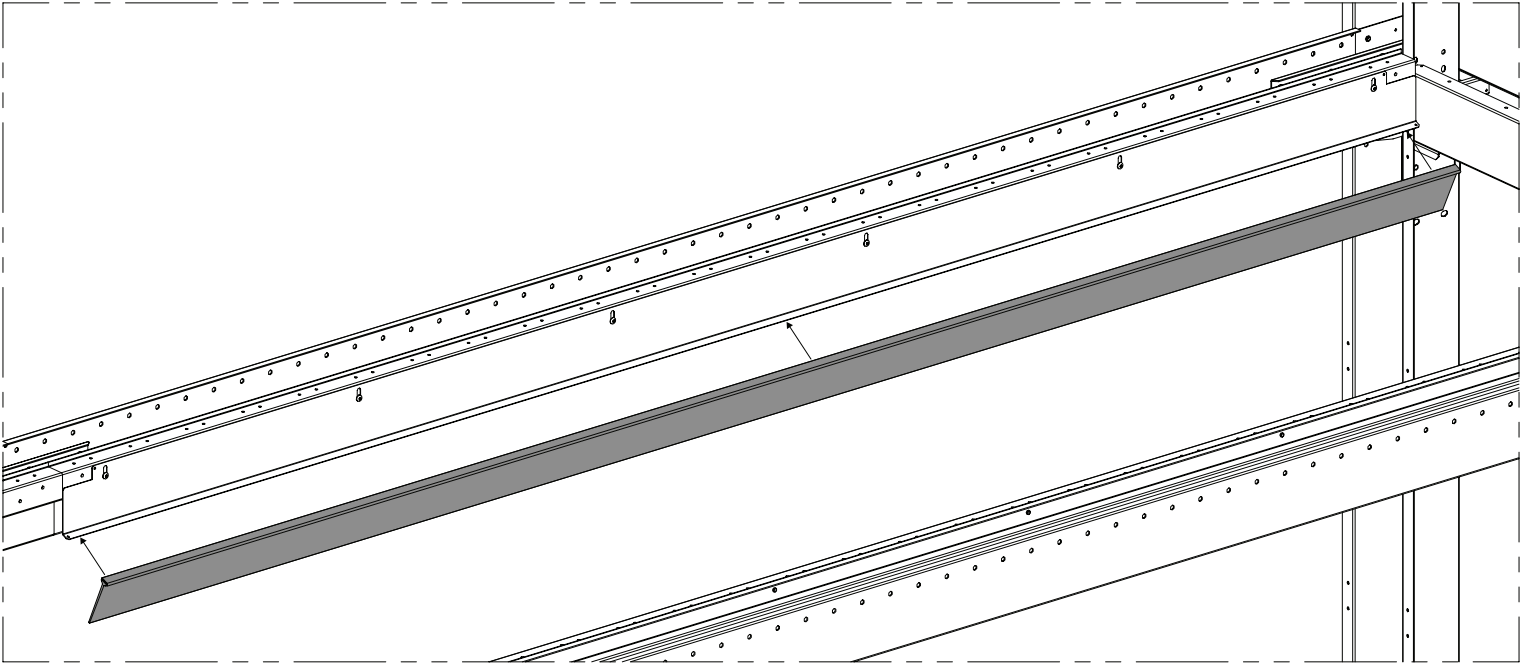
1

Attach required number of Wall Beam Clamps to the Wall Beams



2

Attach Flap Seal to Wall Beam Clamps

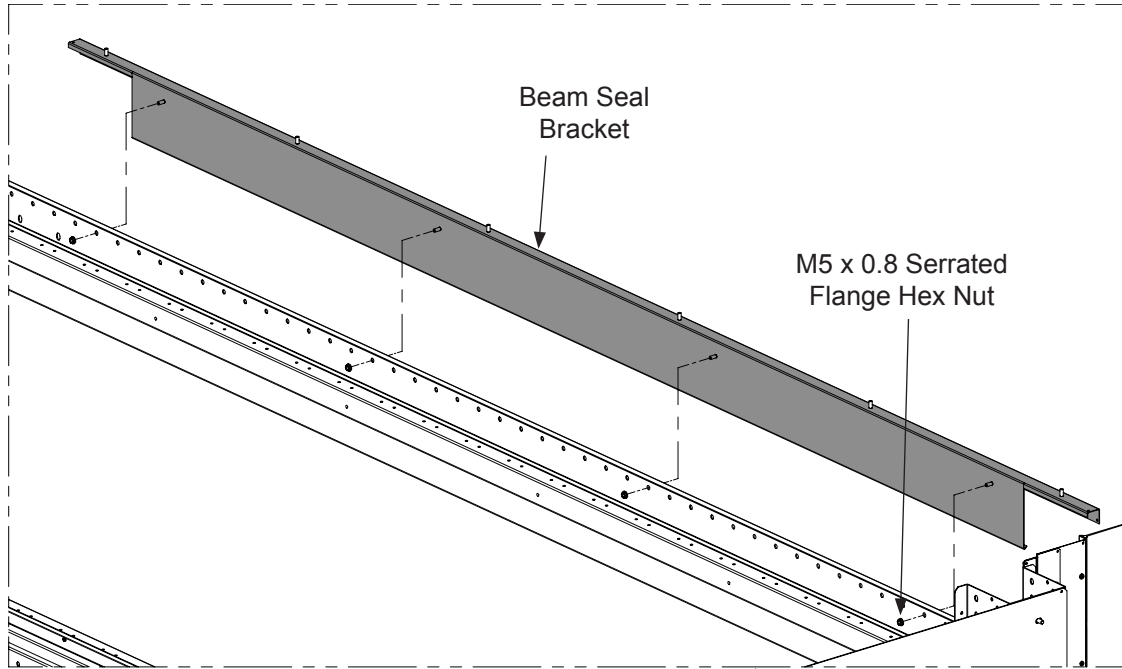


Profile View

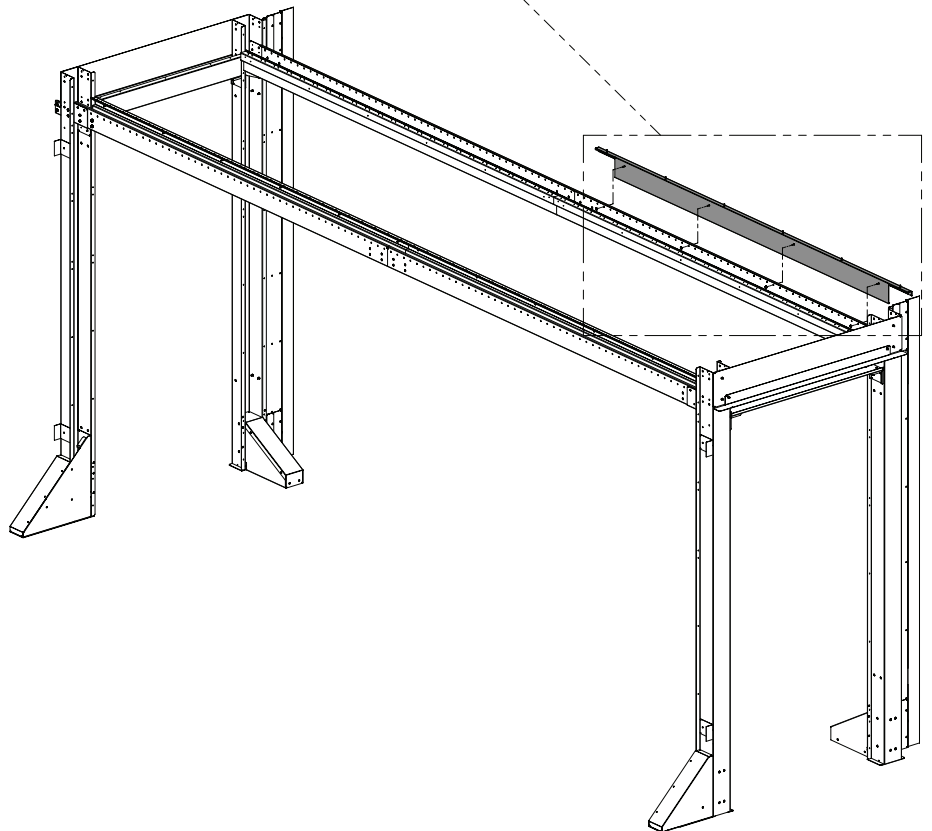
Attaching Wall Beam-to-Wall Seal Kit

- For Wall side of Containment only.
- If installing a UAC 900mm Aisle Width Containment System, skip ahead to SECTION 3, Page 70.

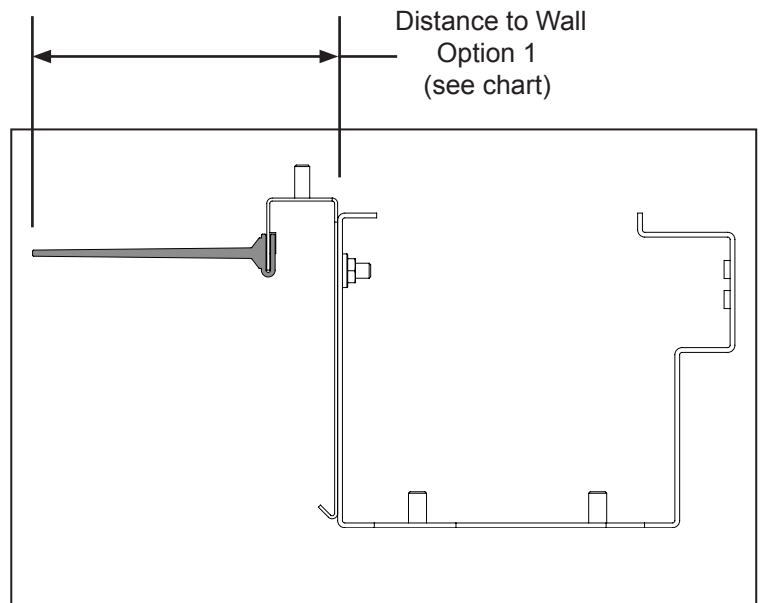
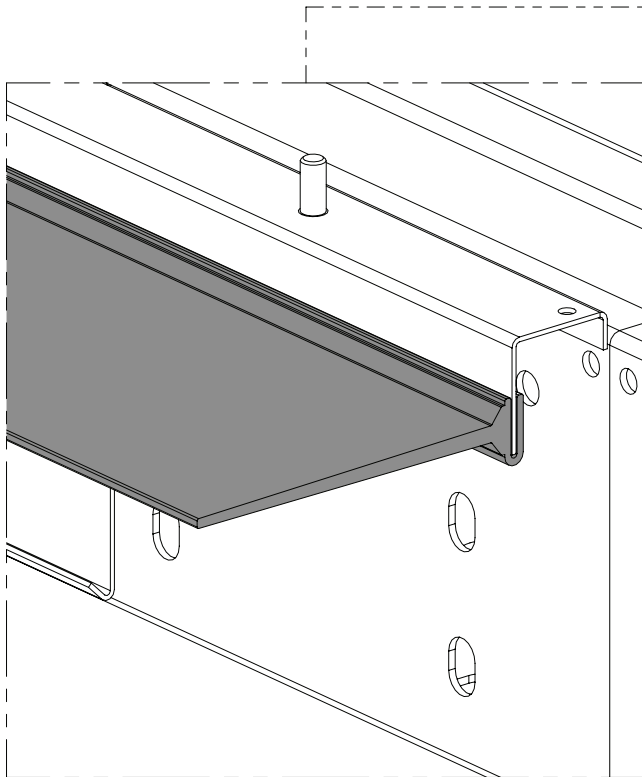
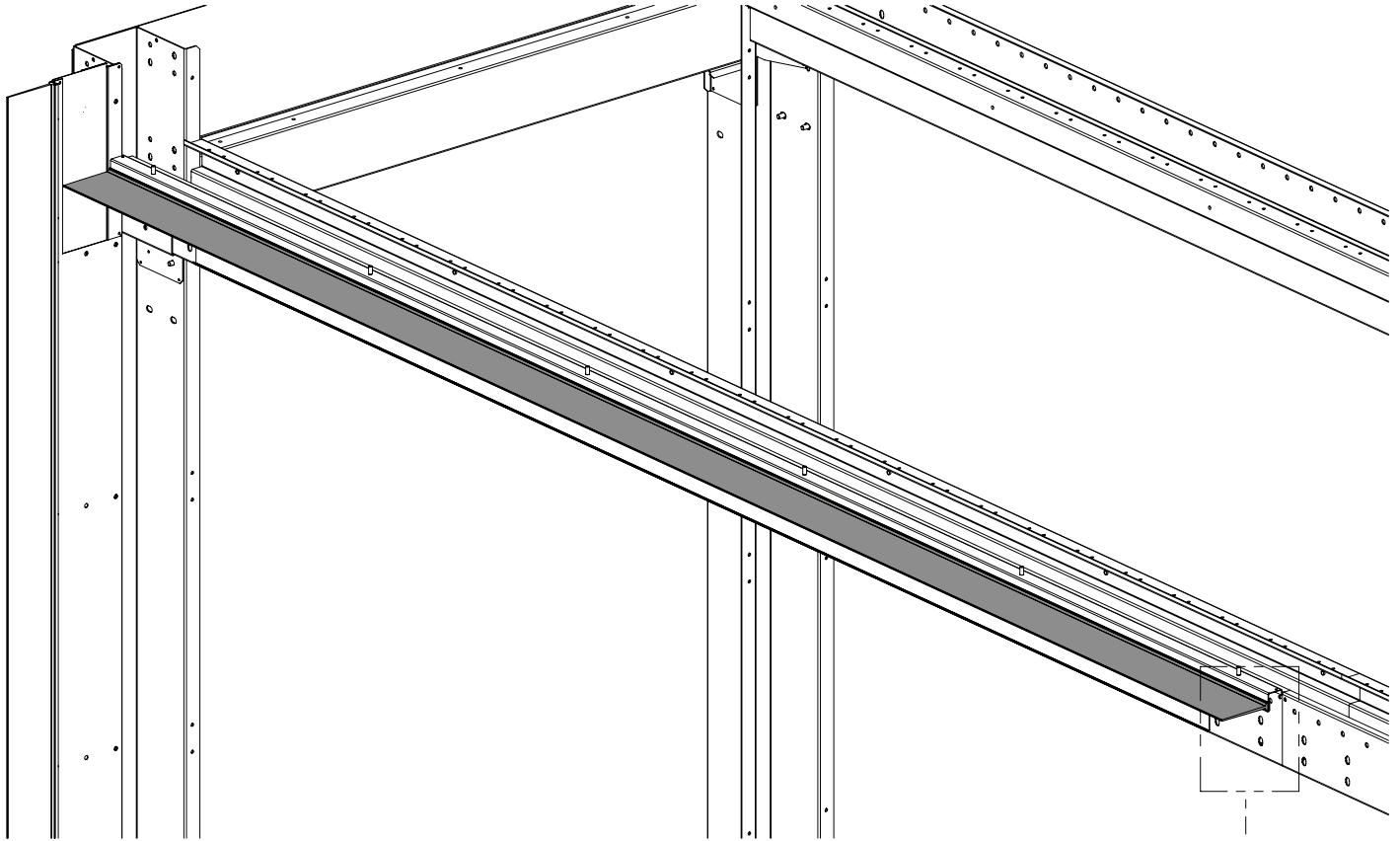
Attach Beam Seal Bracket to Wall Beam



Wall Beam to Wall Seal Distance	
Distance Option	Distance to Wall
1	50mm - 94mm [2.0" - 3.7"]
2A	164mm - 204mm [6.5" - 8.0"]
2B	94mm - 164mm [3.7" - 6.5"]
3A	38mm - 50mm [1.5" - 2.0"]
3B	>204mm >[8.0"]



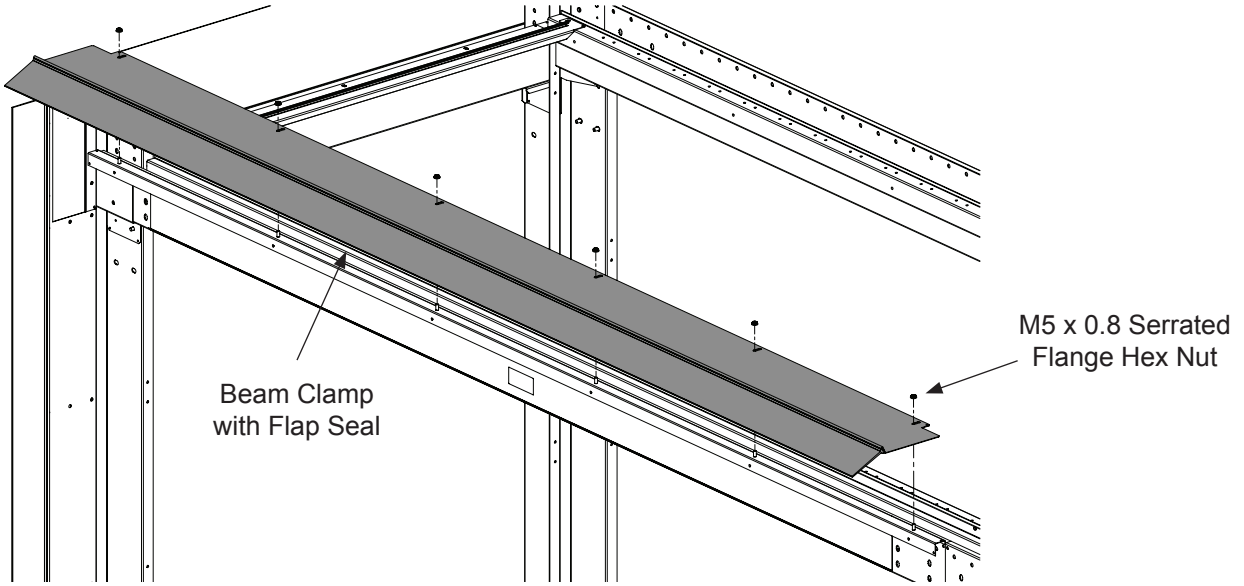
OPTION 1 - Attach Flap Seal directly to Beam Seal Bracket



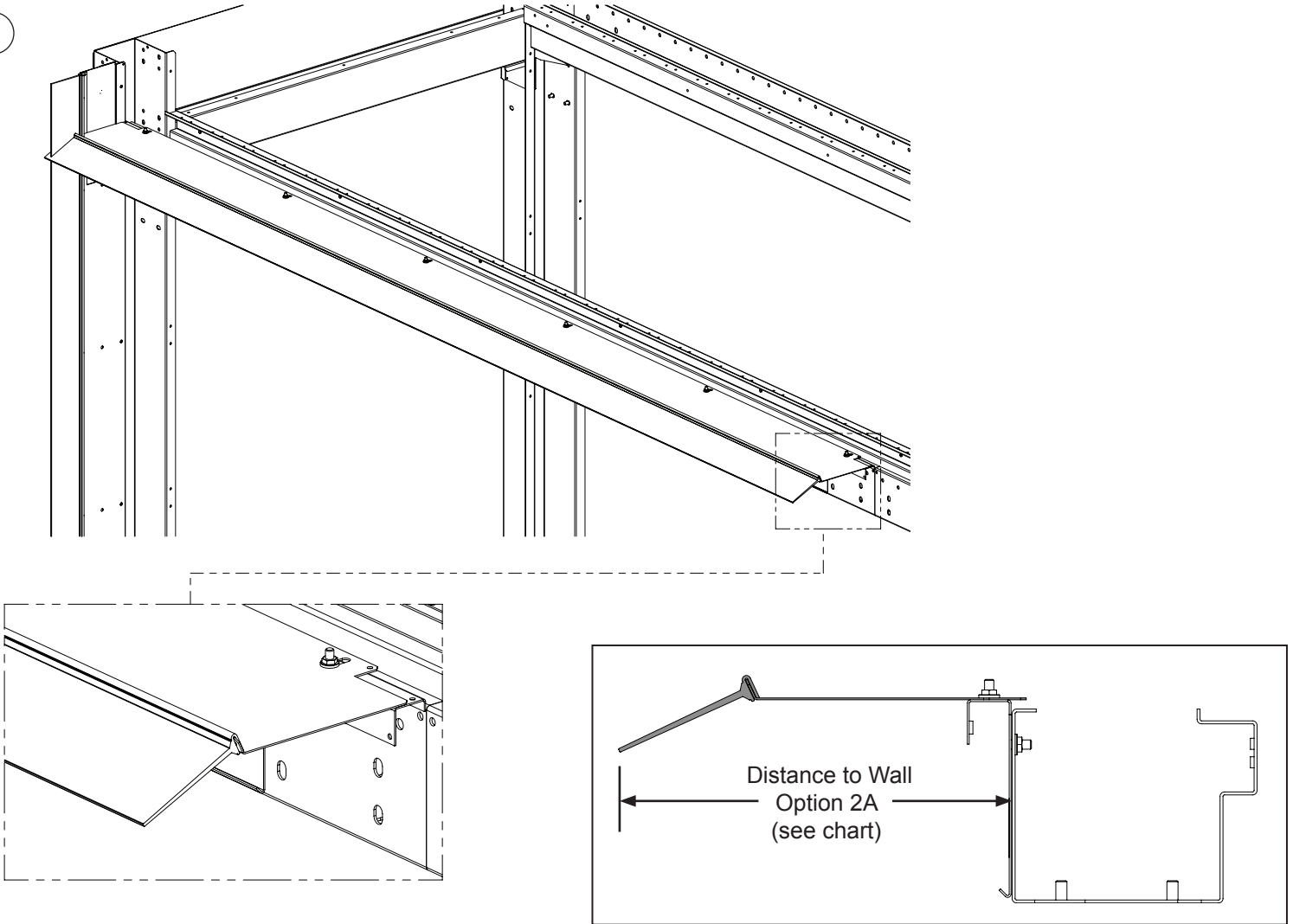
**Option 1
Profile View**

OPTION 2 - Attach Beam Clamp with Flap Seal horizontally to Beam Seal Bracket

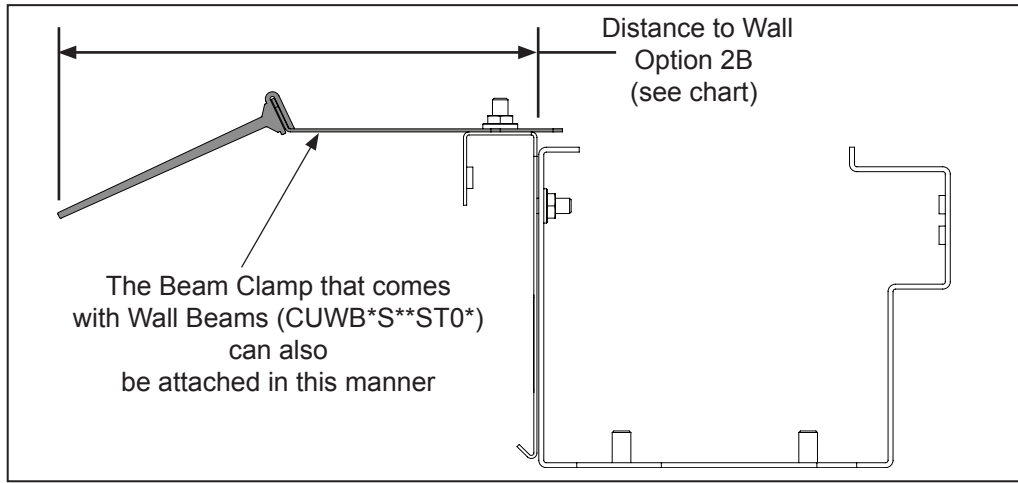
1



2

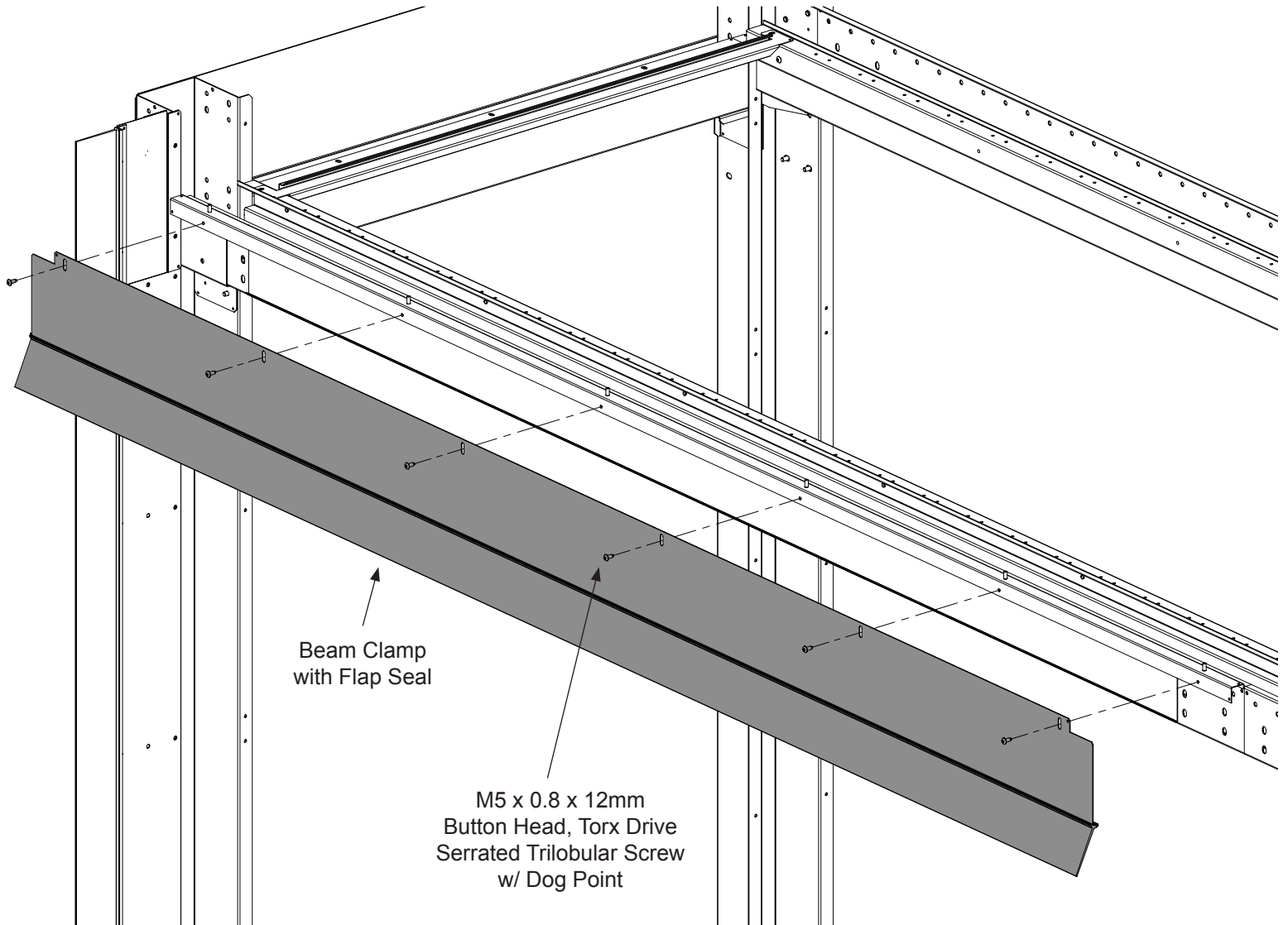


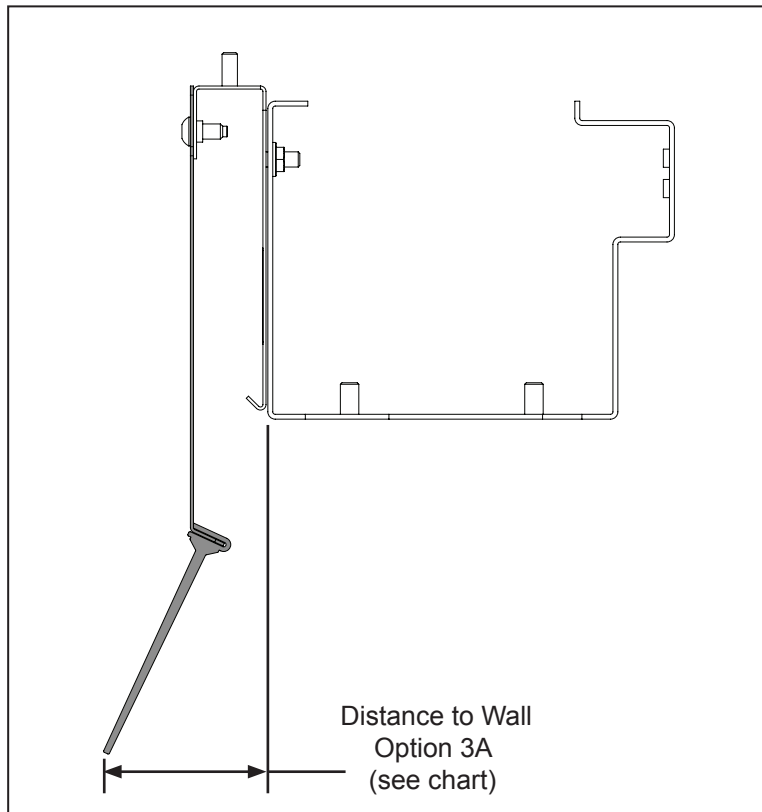
**Option 2A
Profile View**



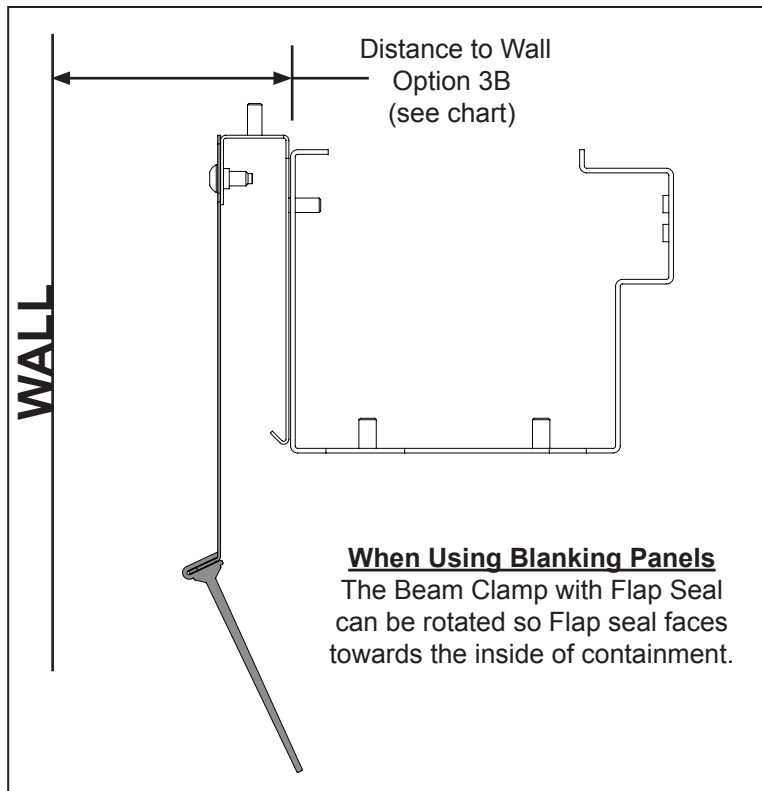
**Option 2B
Profile View**

OPTION 3 - Attach Beam Clamp with Flap Seal vertically to Beam Seal Bracket





**Option 3A
Profile View**



**Option 3B
Profile View**

SECTION 3

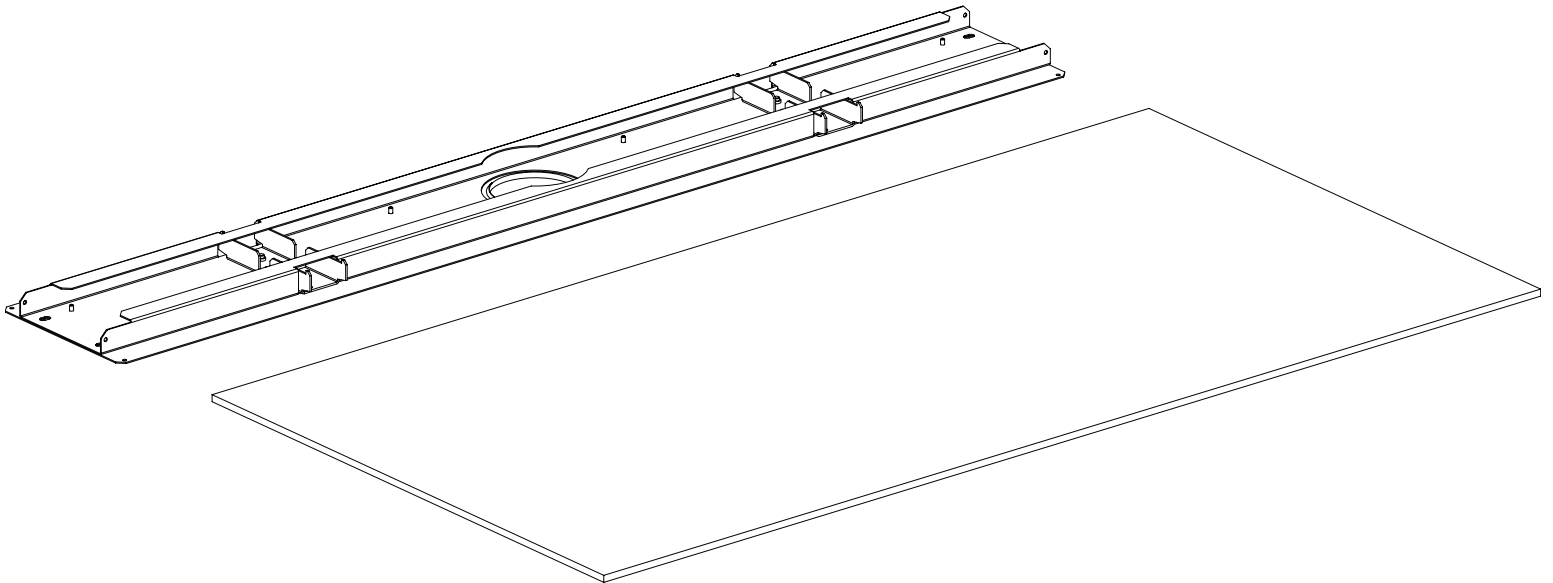
Installation of the USRC Roofing Panels

Part Number(s)

CUSRRFS06**

CUSRRFS07**

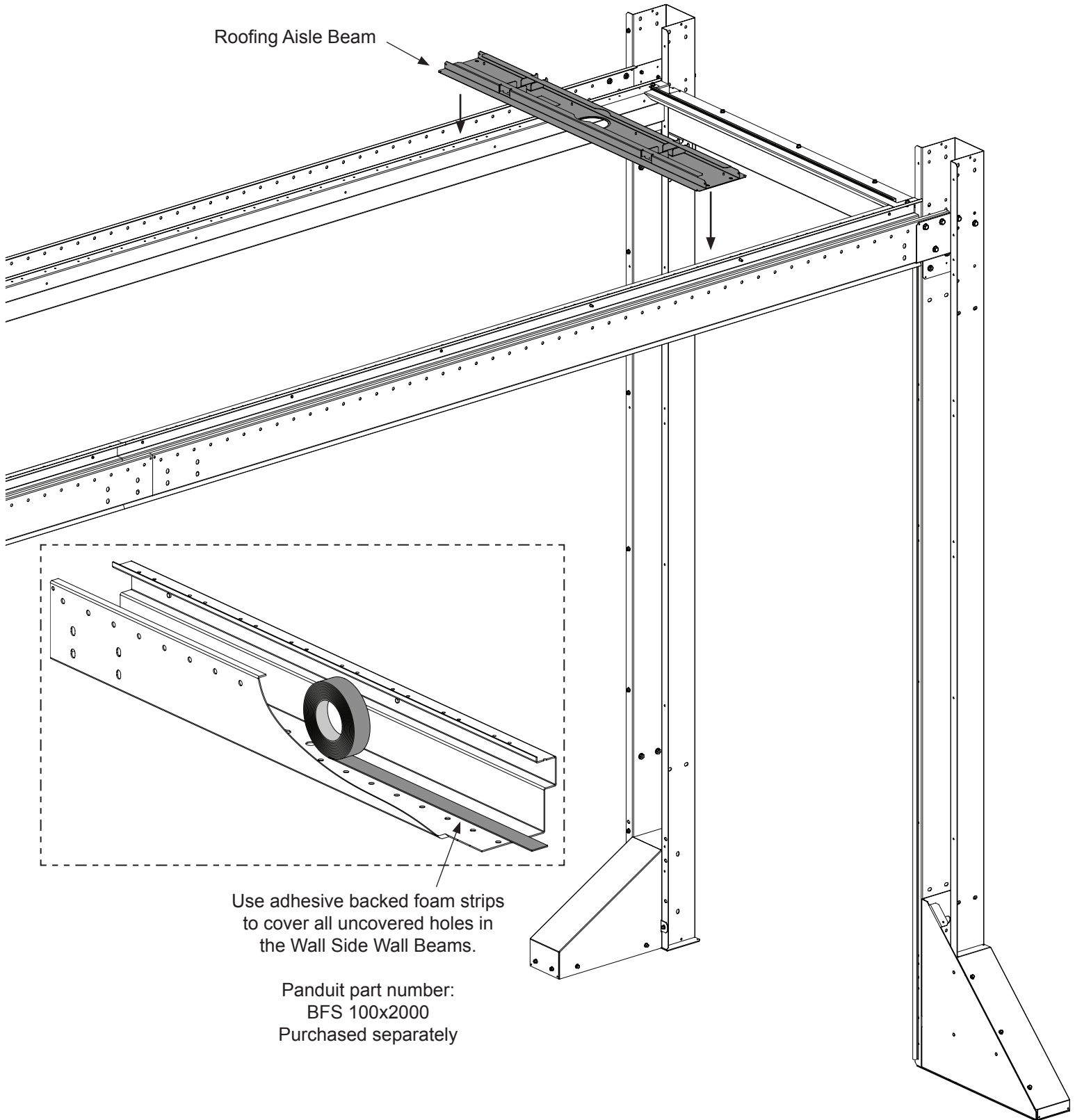
CUSRRFS08**



Attaching USRC Roofing Aisle Beam

- Position the USRC Roofing Aisle Beam on the Wall Beams at approximate locations.

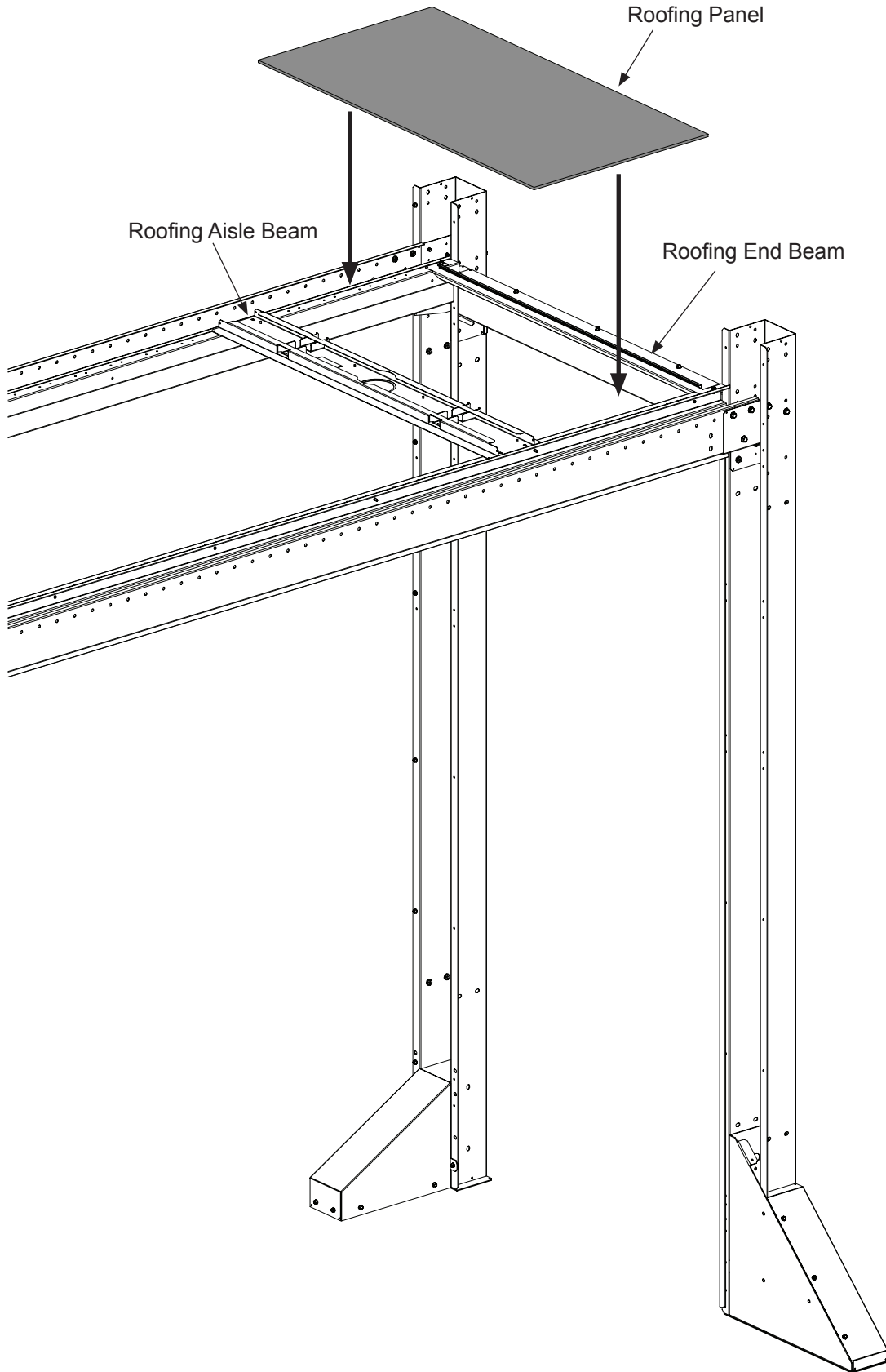
1



Placing Roofing Panel

- Lower a Roofing Panel between the Roofing End Beam and the Roofing Aisle Beam.
- Adjust the position of the Roofing Aisle Beams using the Roofing Panels as a guide.

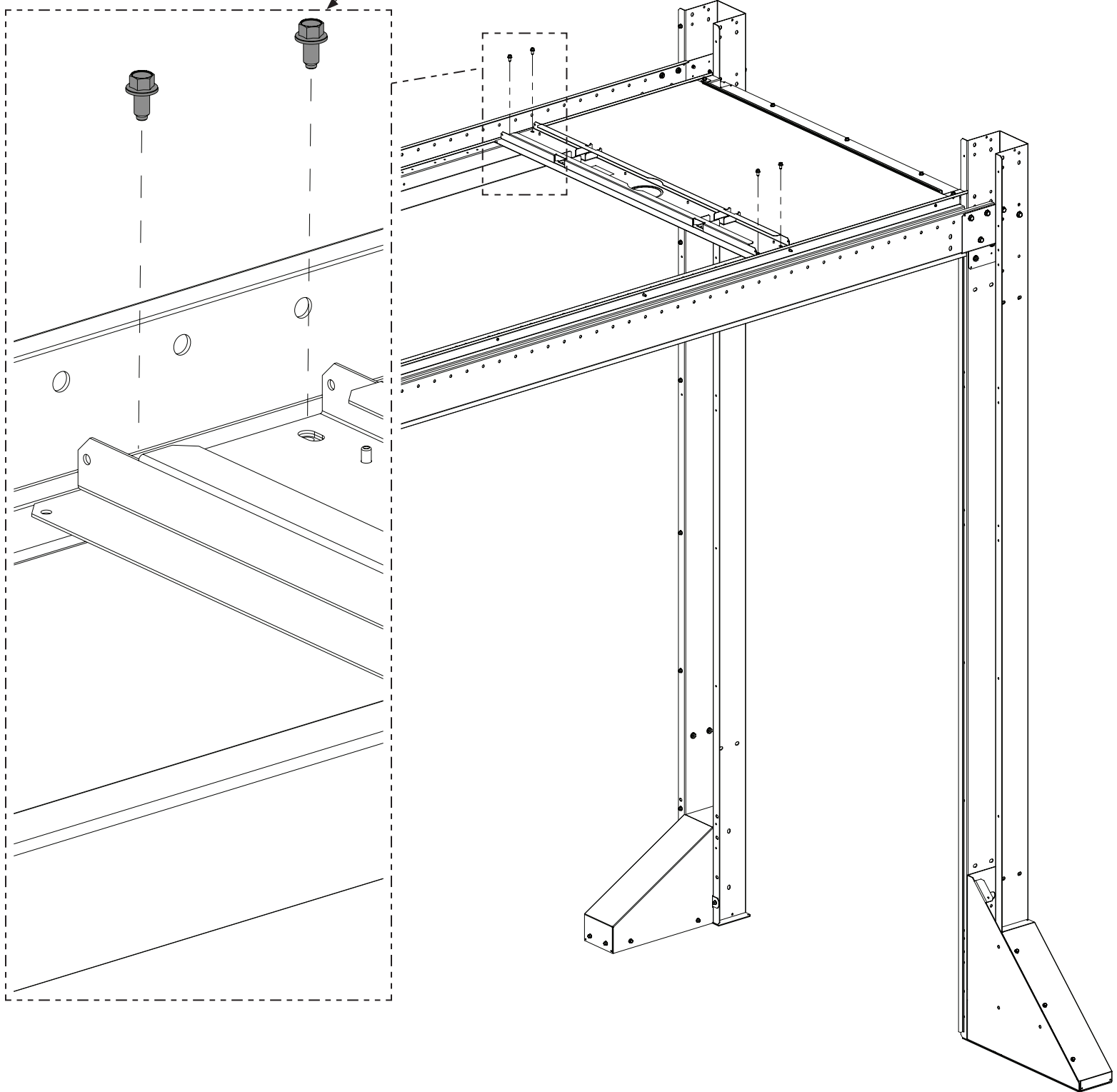
2



Secure USRC Roofing Beam

3

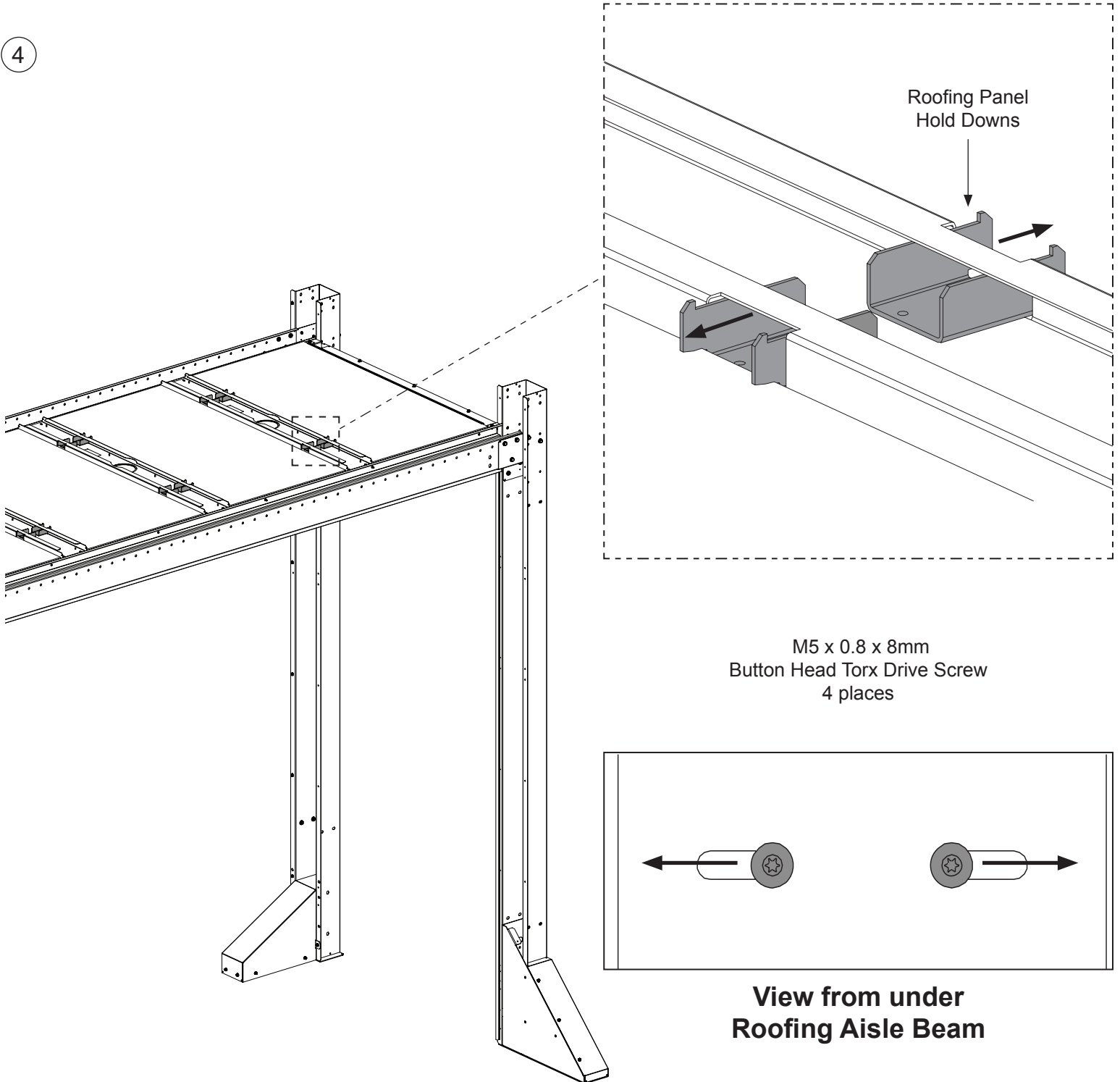
M5 x 0.8 x 10mm
Hex Head Trilobular Screw
w/ Dog Point
4 places



Secure Roofing Panel

- From underneath the USRC Roofing Beam, loosen the (4) M5 x 0.8 x 8mm Button Head Torx Drive Screws.
- Slide the (4) M5 x 0.8 x 8mm Button Head Torx Drive Screws out causing the Roofing Panel Hold Downs to slide over the Roofing Panel, securing it in place.
- Re-tighten the (4) M5 x 0.8 x 8mm Button Head Torx Drive Screws in the USRC Roofing Beam.
- Repeat process for every Roofing Beam in the containment.

4

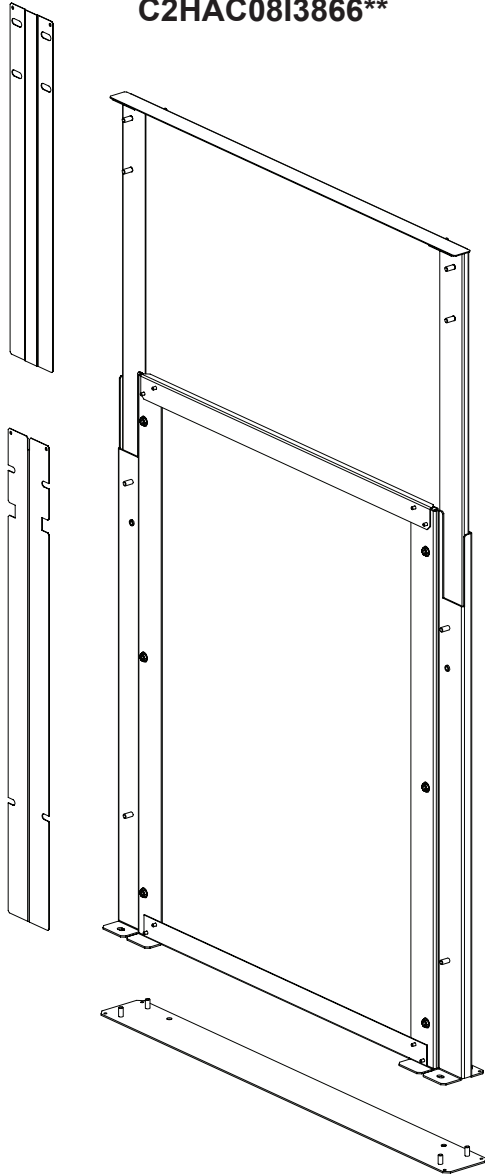


SECTION 4

Installation of the USRC Vertical Walls, Vertical Wall Adapters, and Vertical Wall Brace

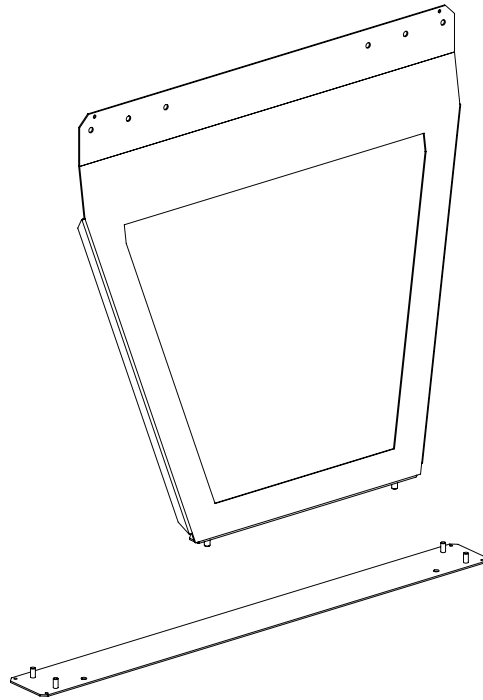
Part Number(s)

- C2HAC06I1626**
- C2HAC07I1626**
- C2HAC08I1626**
- C2HAC06I2638**
- C2HAC07I2638**
- C2HAC08I2638**
- C2HAC06I3866**
- C2HAC07I3866**
- C2HAC08I3866**



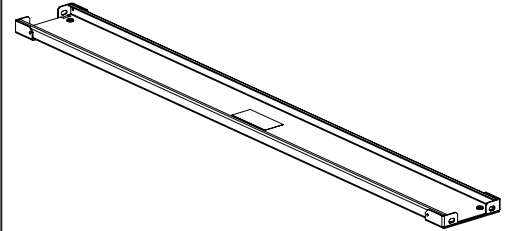
Part Number(s)

- CUSRVWA06**
- CUSRVWA07**
- CUSRVWA08**



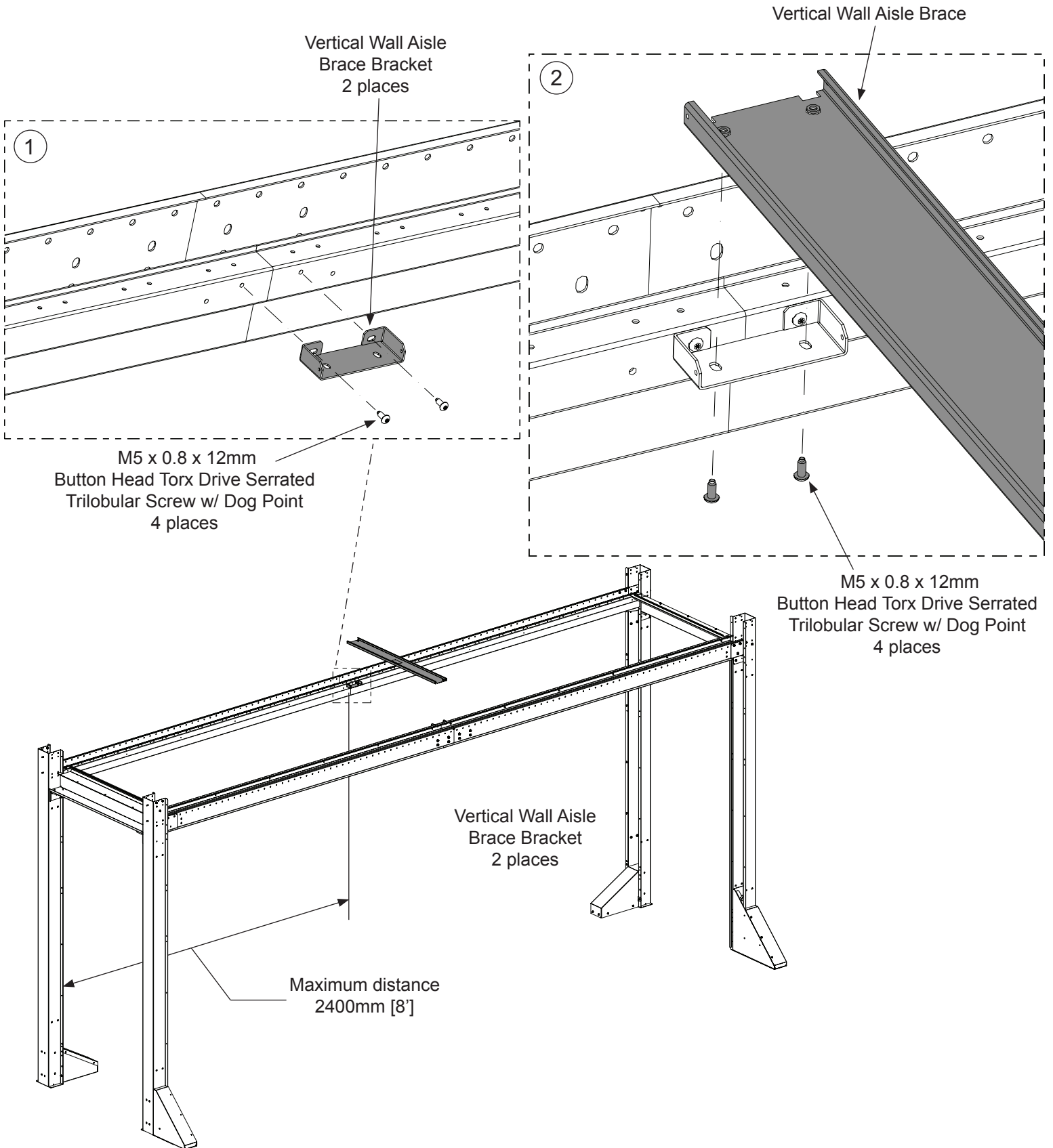
Part Number(s)

- CUSRVWB**

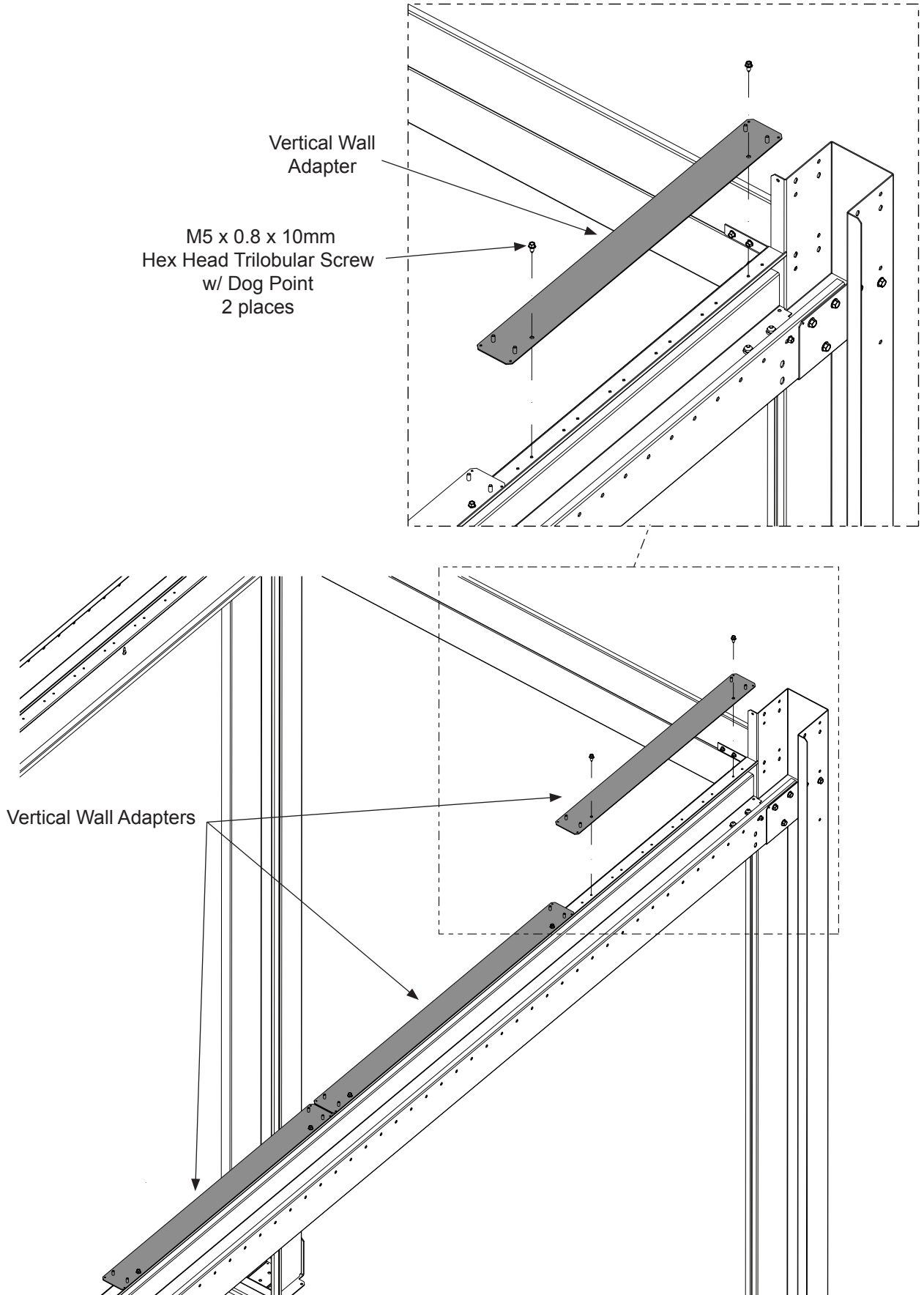


Install Vertical Wall Brace

- The maximum distance along Wall Beams without a Vertical wall Brace is 2400mm [8']

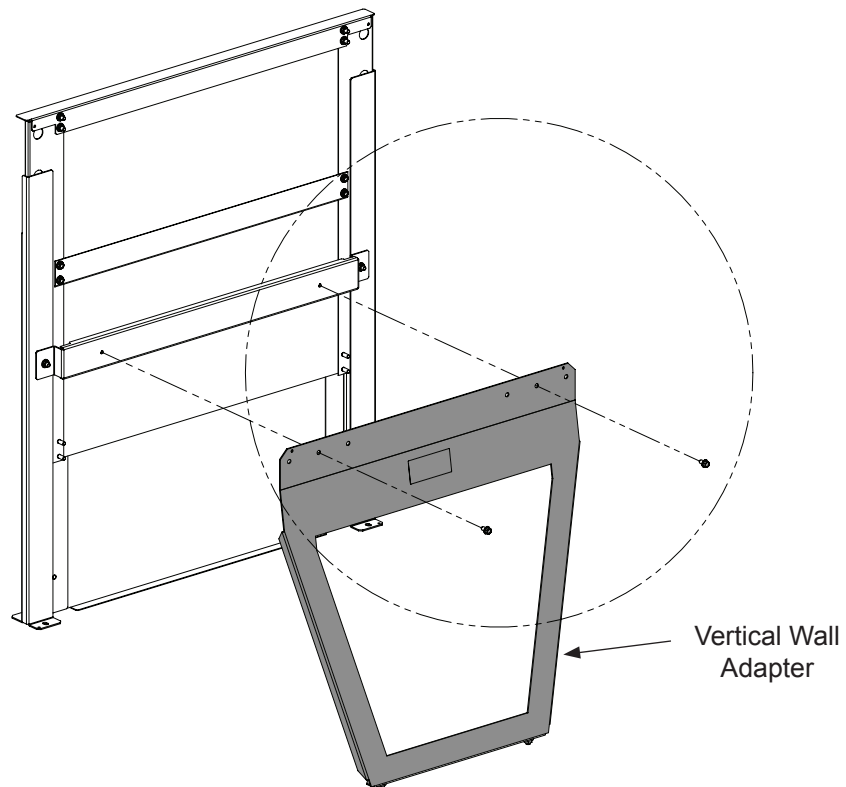
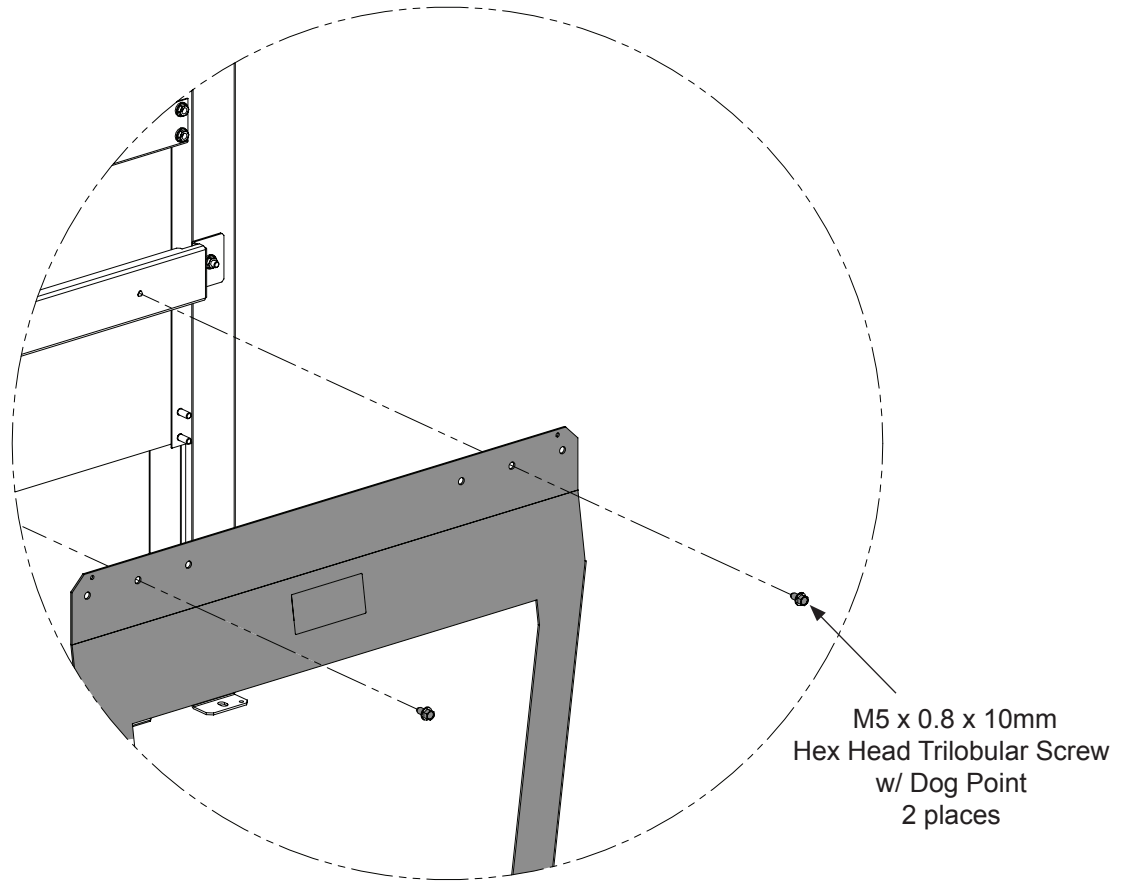


Install Vertical Wall Adapters

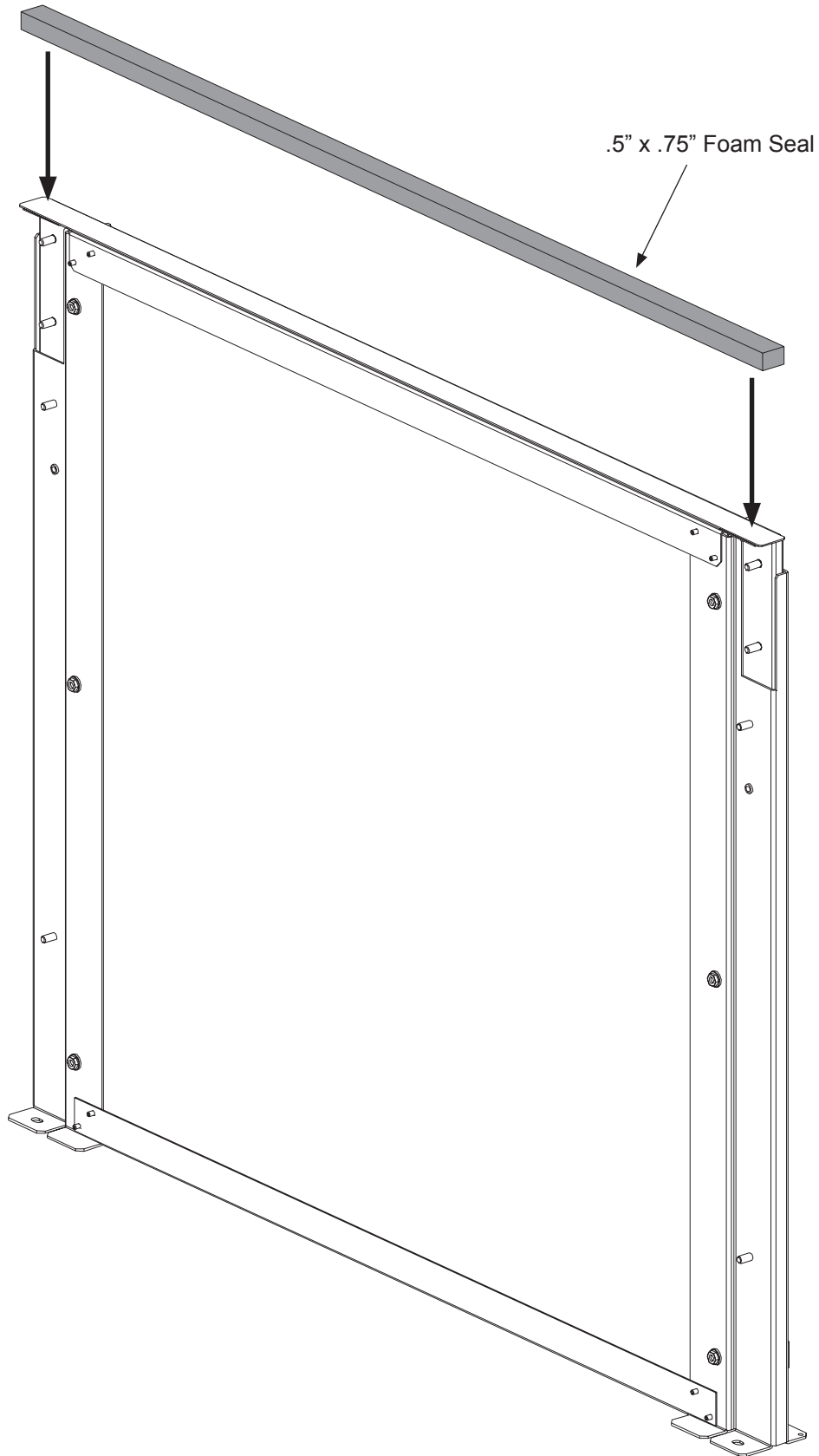


Attaching Vertical Wall Adapter to Vertical Wall

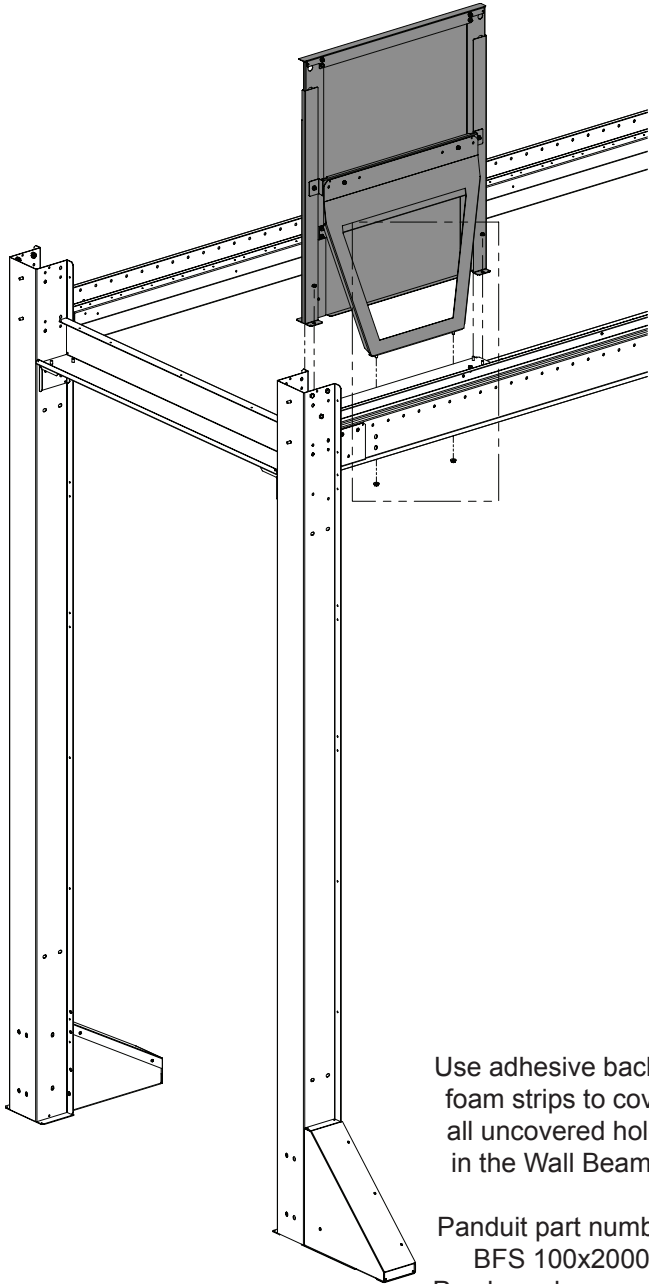
- Discard the diagonal braces that come with the Vertical Walls.



Applying Foam Seal to Vertical Wall

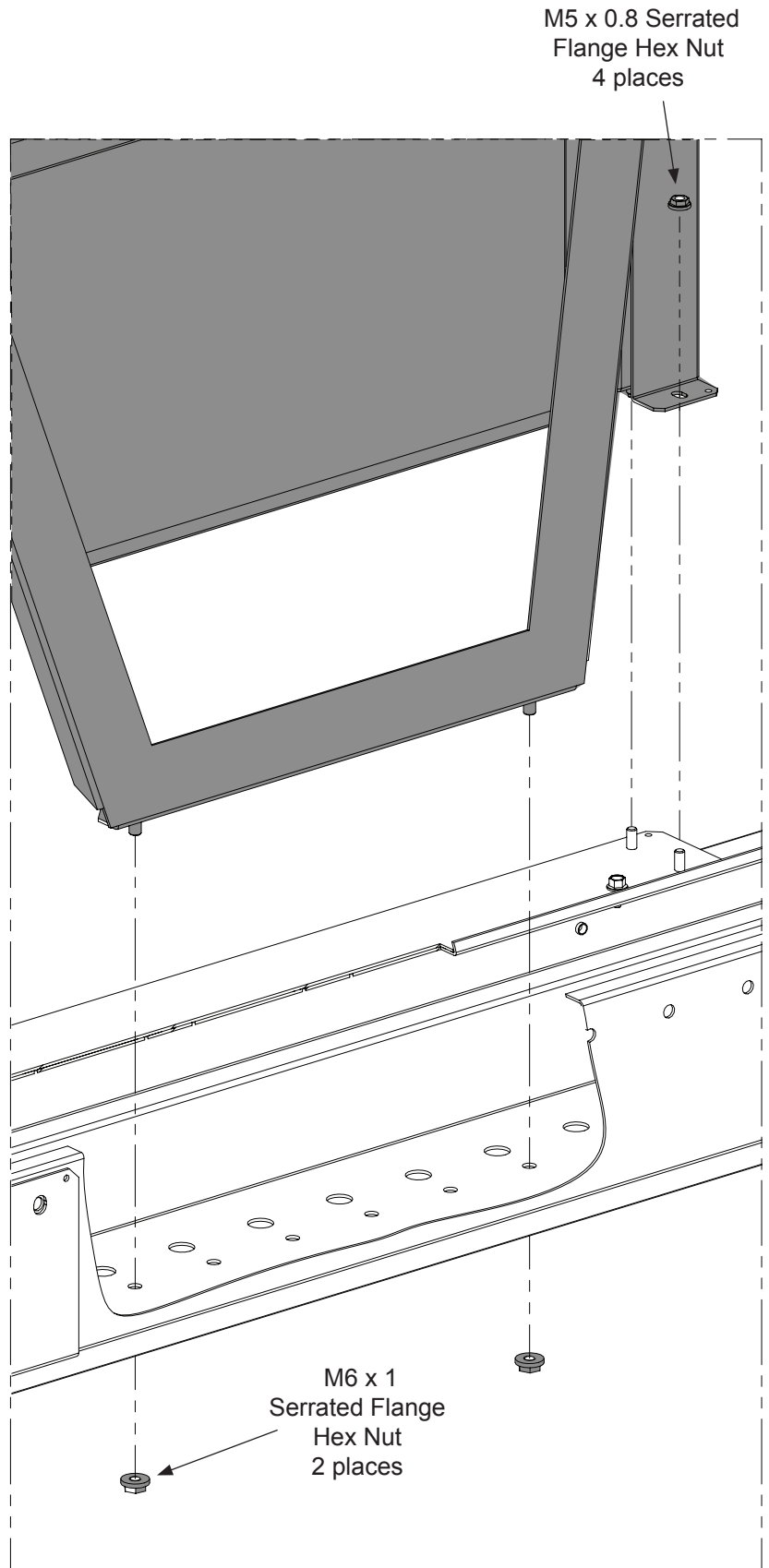
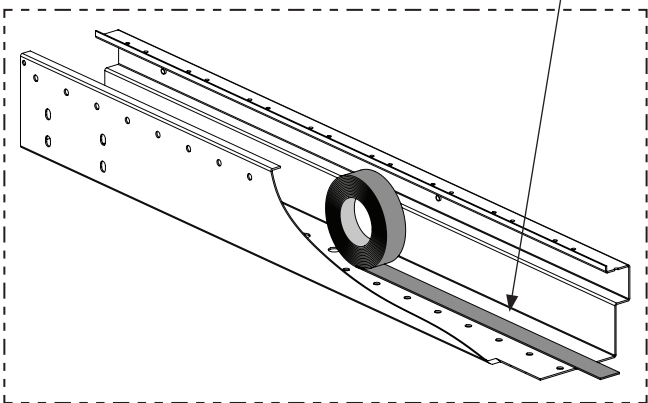


Installing Vertical Walls



Use adhesive backed foam strips to cover all uncovered holes in the Wall Beams.

Panduit part number:
BFS 100x2000
Purchased separately



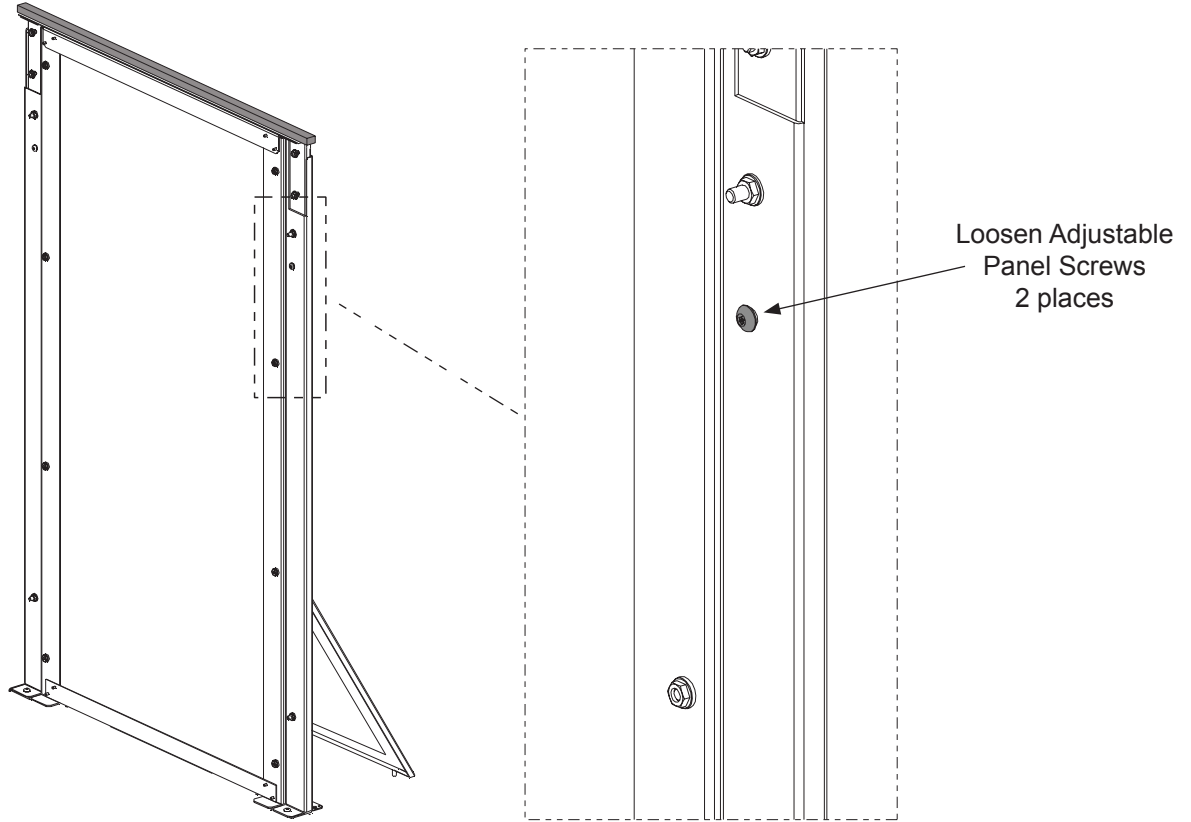
M5 x 0.8 Serrated
Flange Hex Nut
4 places

M6 x 1
Serrated Flange
Hex Nut
2 places

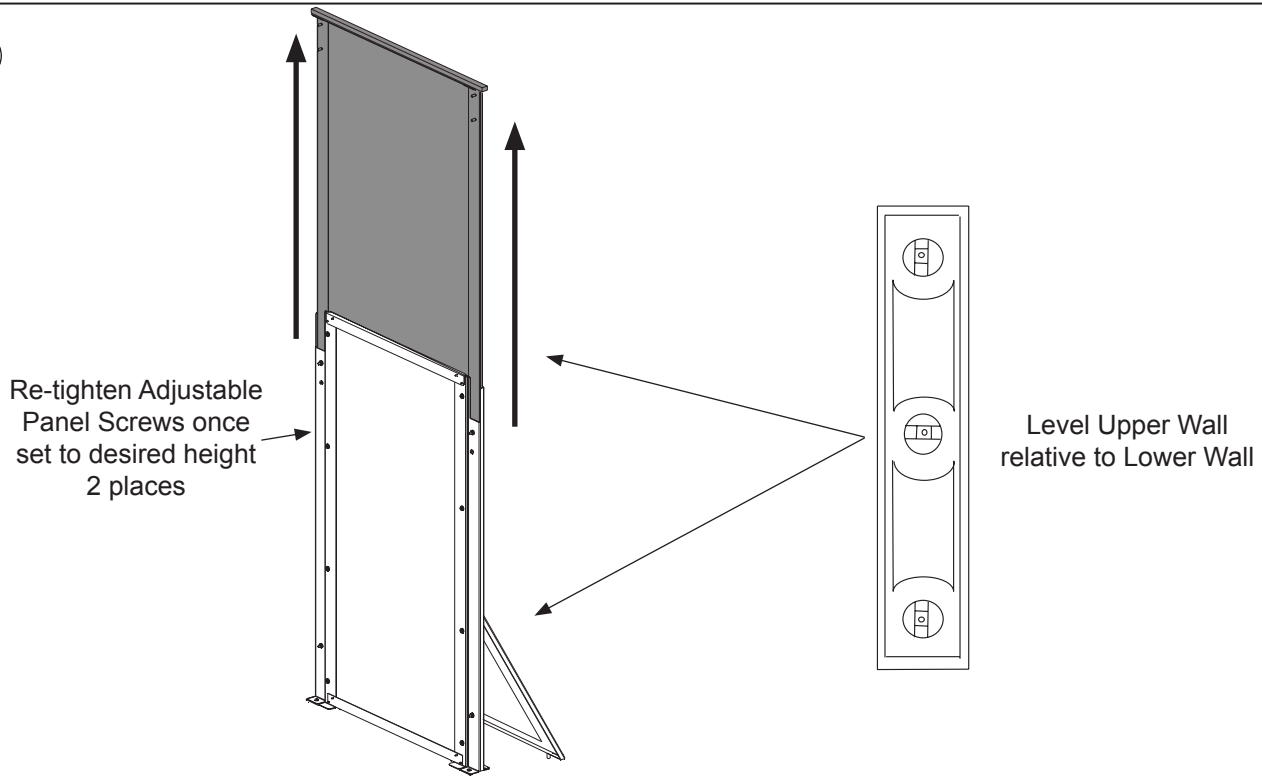
For Technical Support: www.panduit.com/resources/install_maintain.asp

Setting Wall Panel Height

1



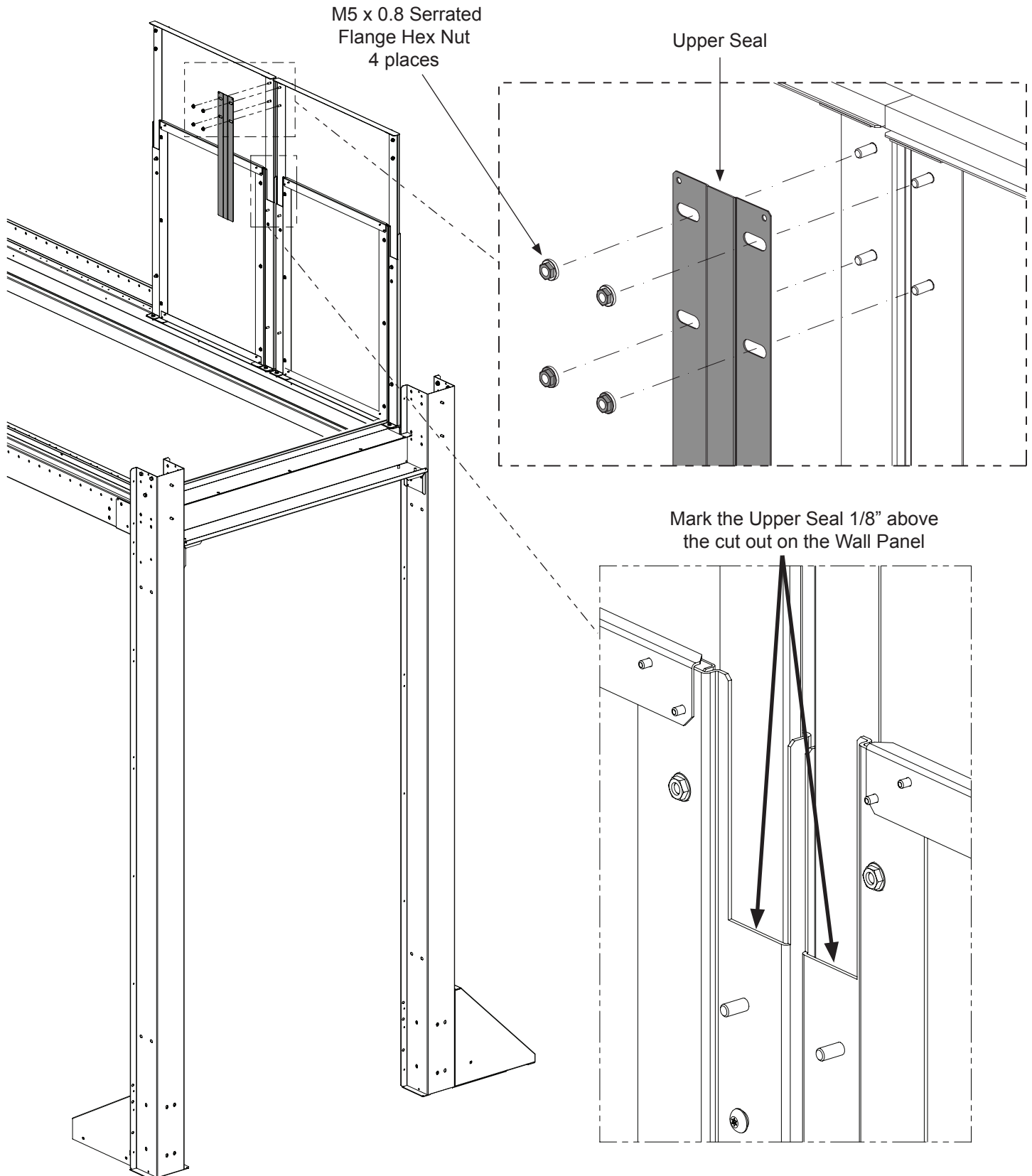
2



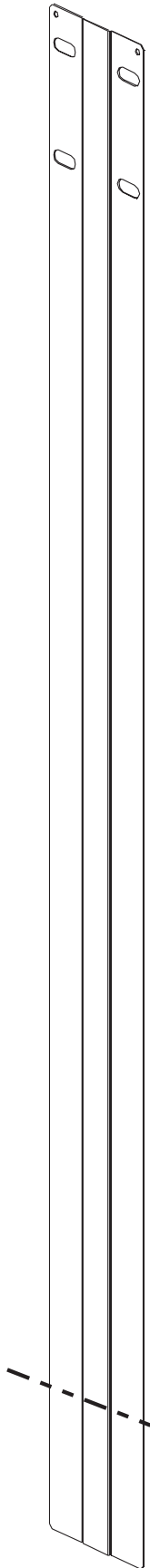
Size and Attach Upper Seal

- Temporarily attach the Upper Seal to the Wall Panel to mark where to cut the Upper Seal to size, then remove.

1

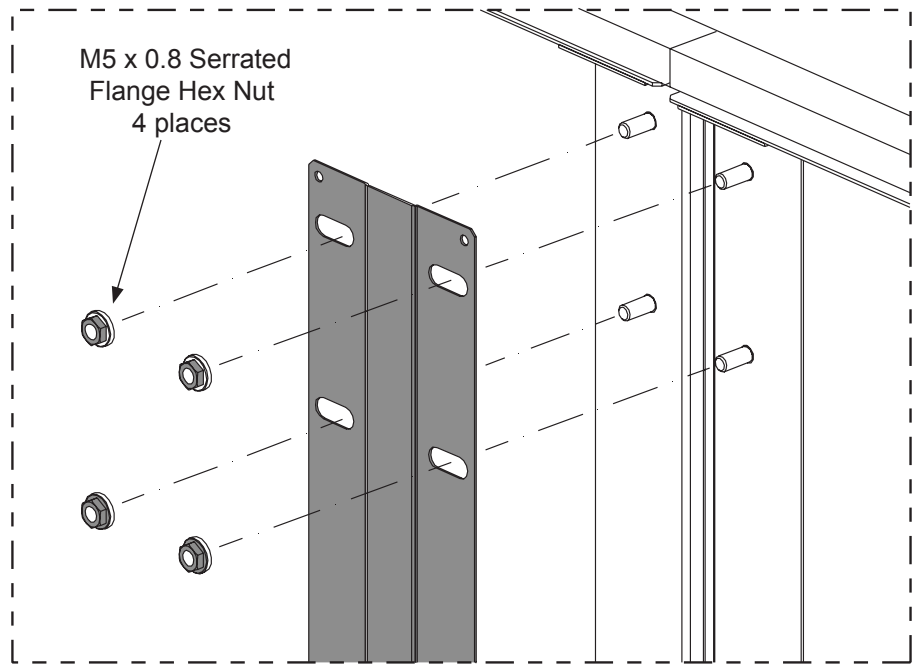


2



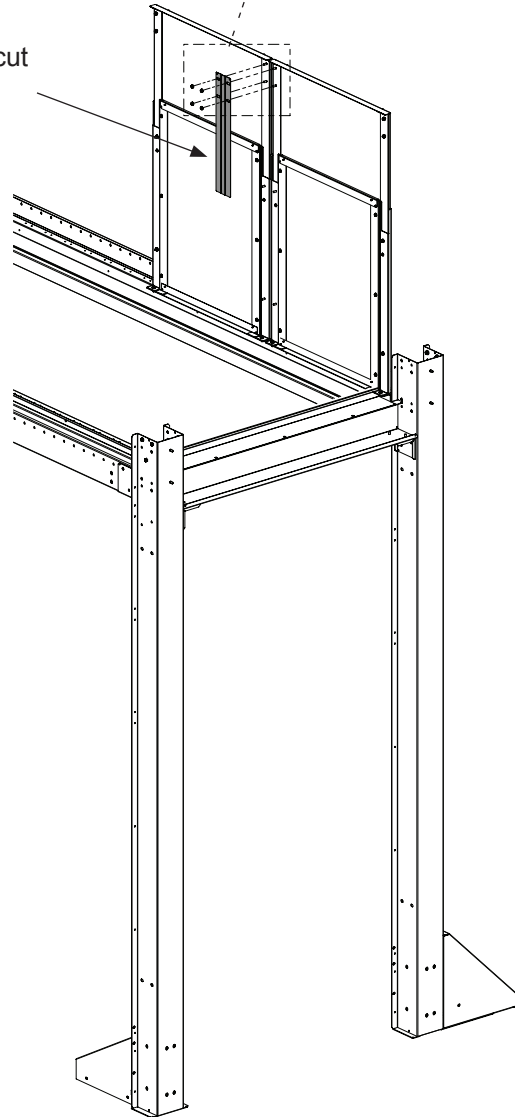
Cut Upper Seal
along mark.

3

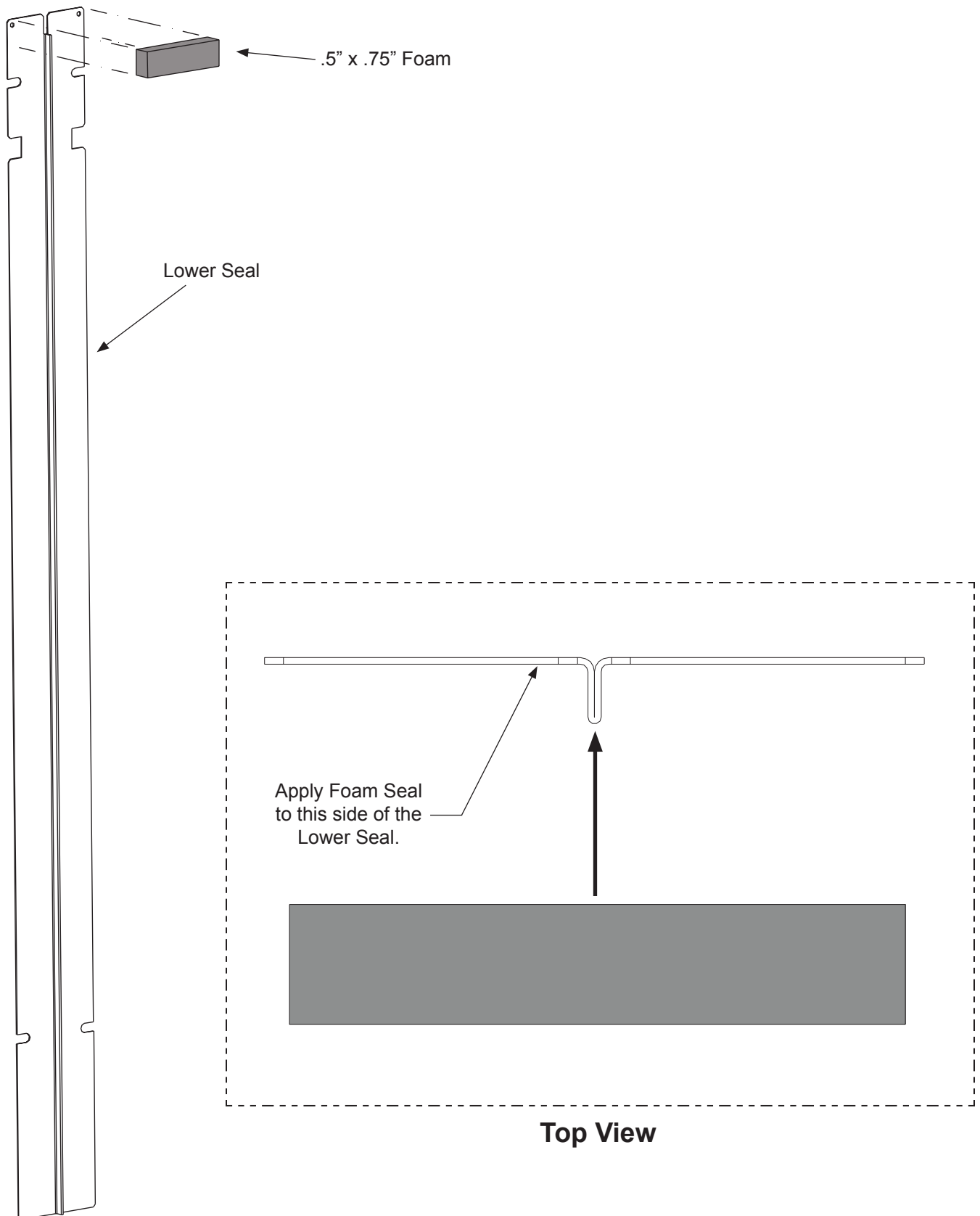


M5 x 0.8 Serrated
Flange Hex Nut
4 places

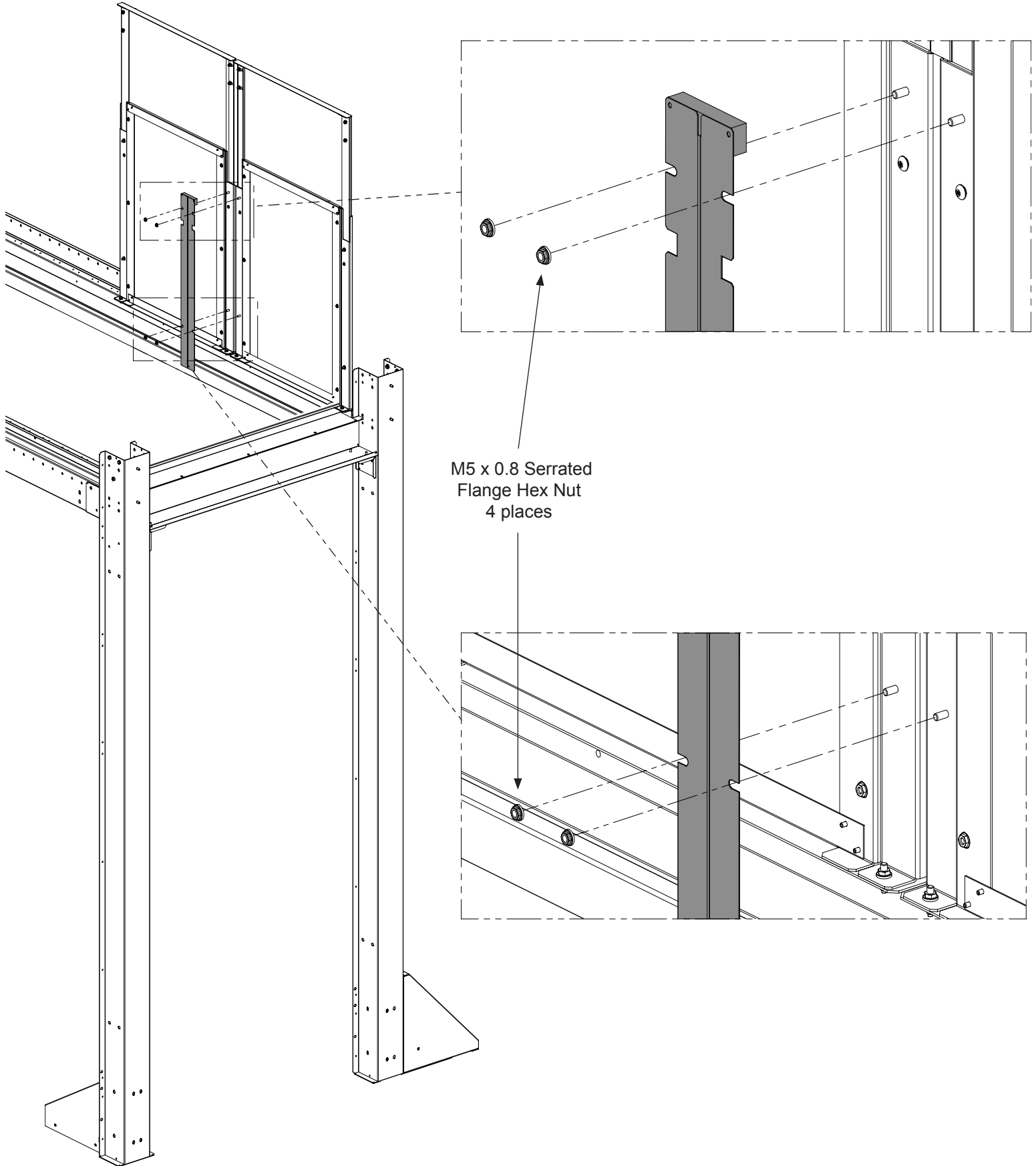
Re-attach the cut
Upper Seal.



Attaching Foam to Lower Seal



Attaching Lower Seal

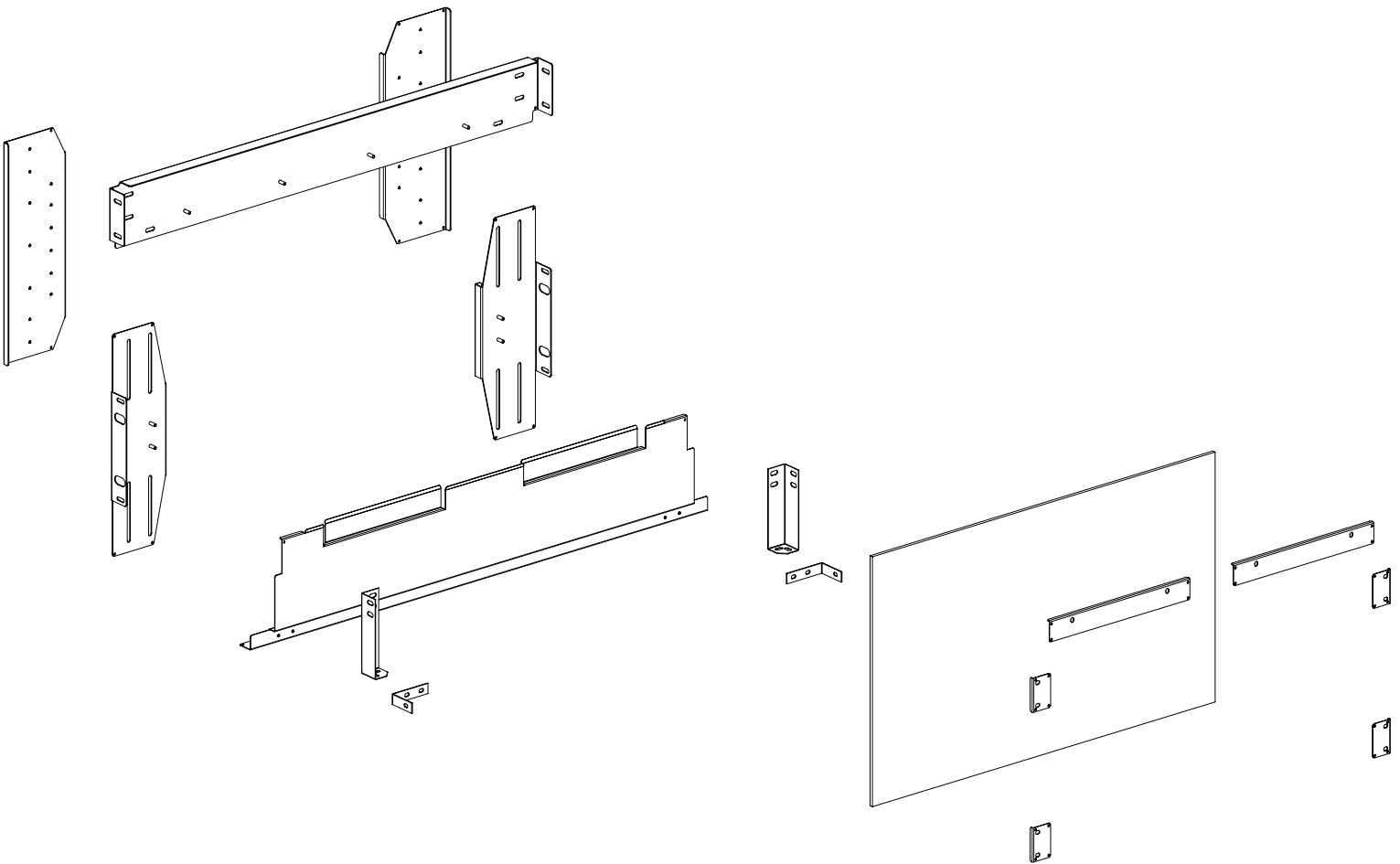


SECTION 5

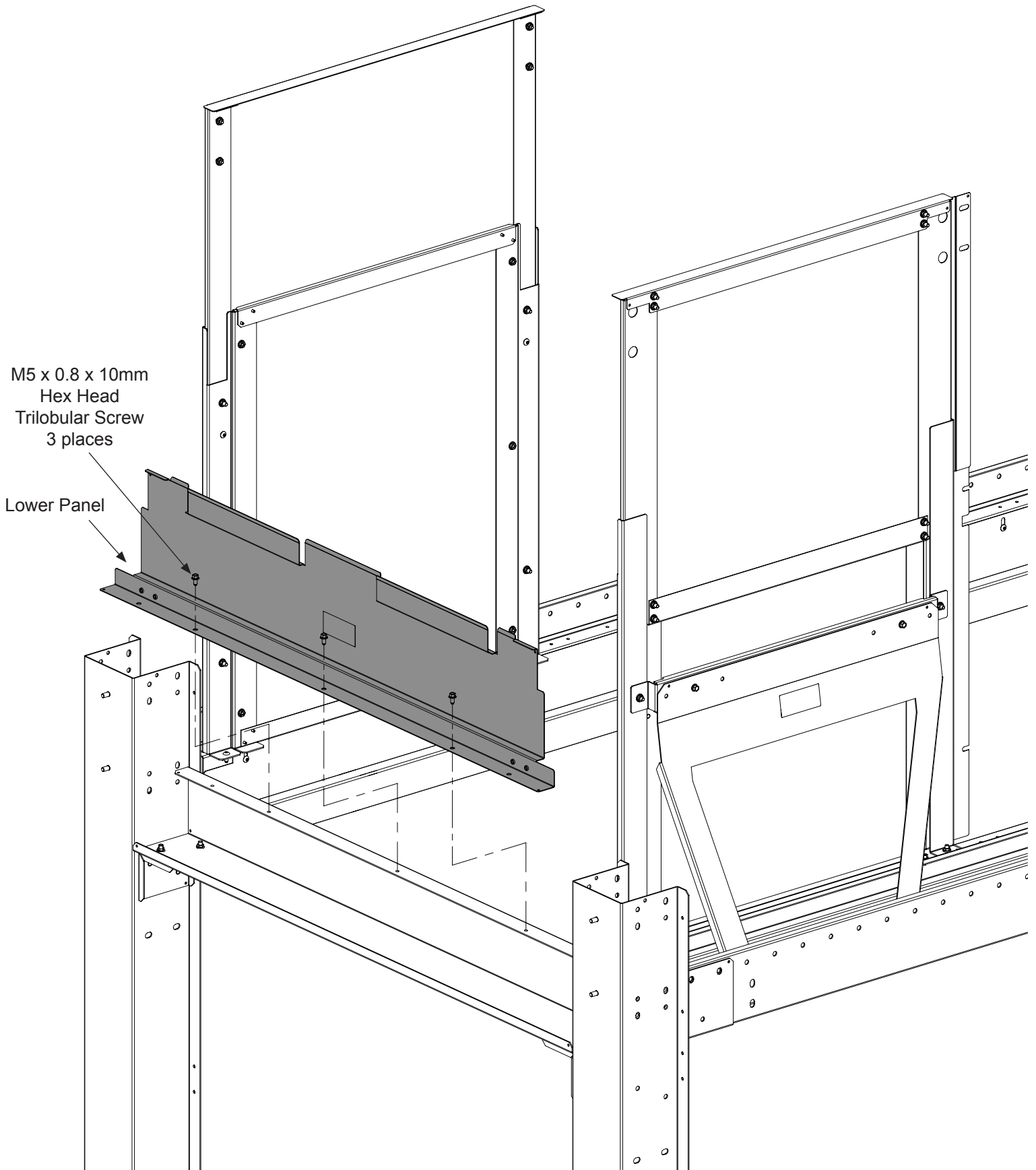
Installation of the USRC Adjustable End-of-Row Vertical Walls

Part Number(s)

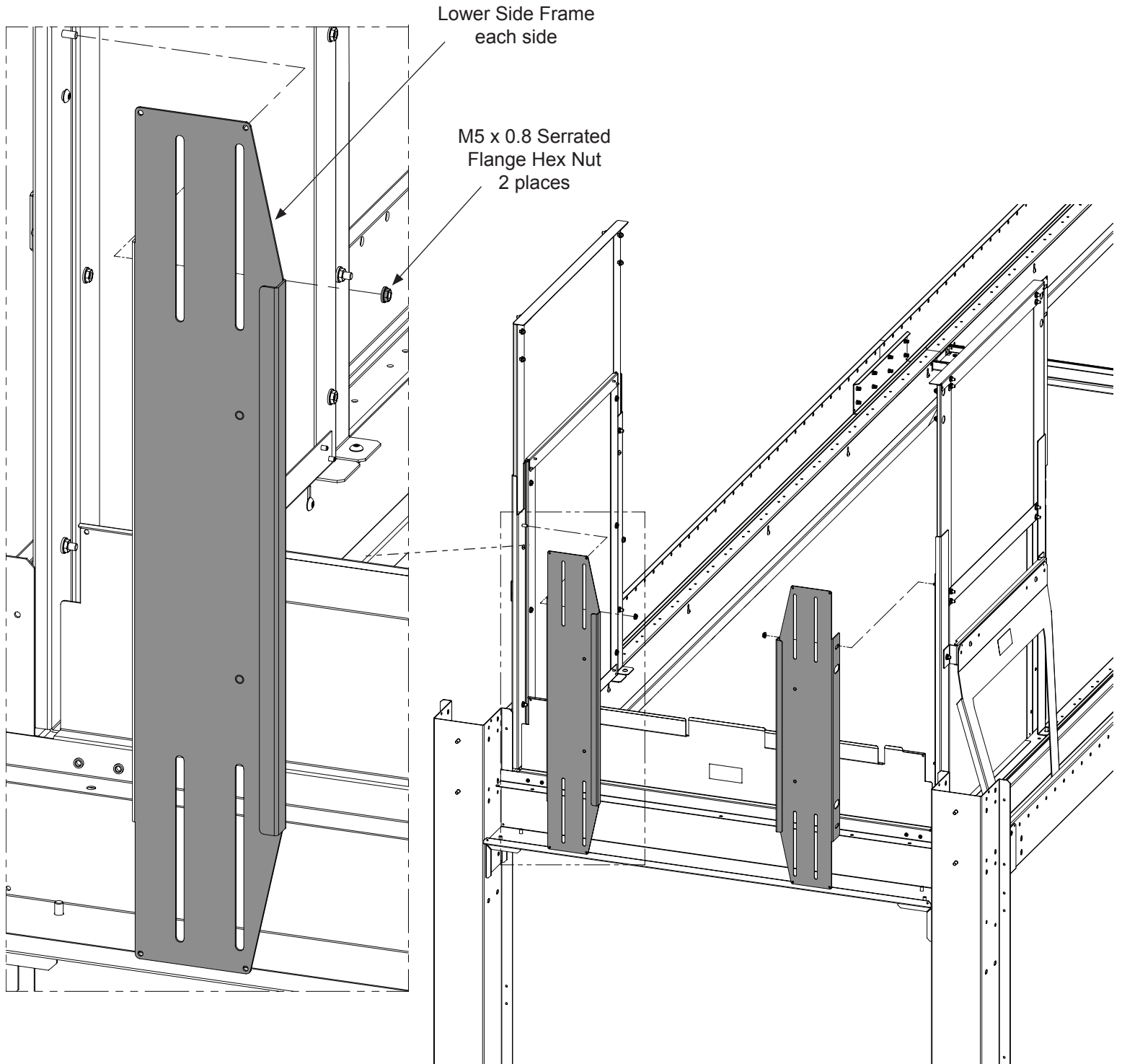
CUSRVWER1626**
CUSRVWER2638**
CUSRVWER3866**



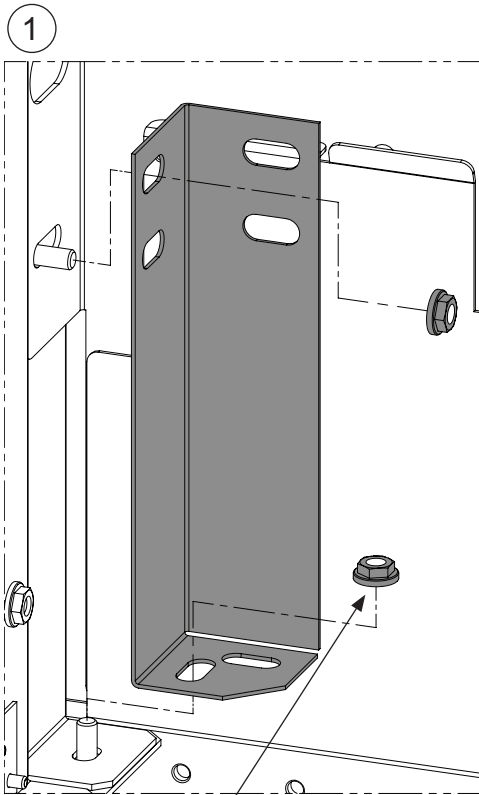
Attaching Lower Panel



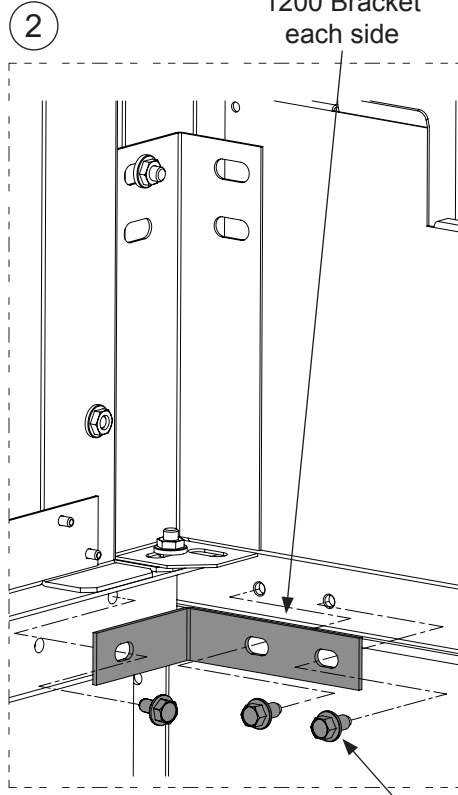
Attaching Lower Side Frames



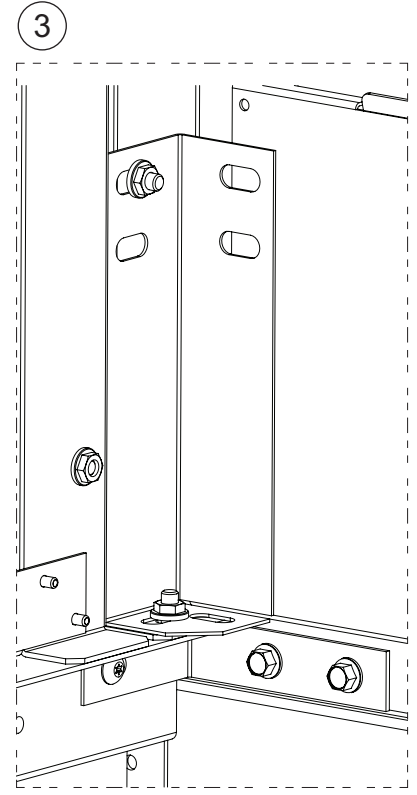
Attaching Corner Seals and 1200 Brackets



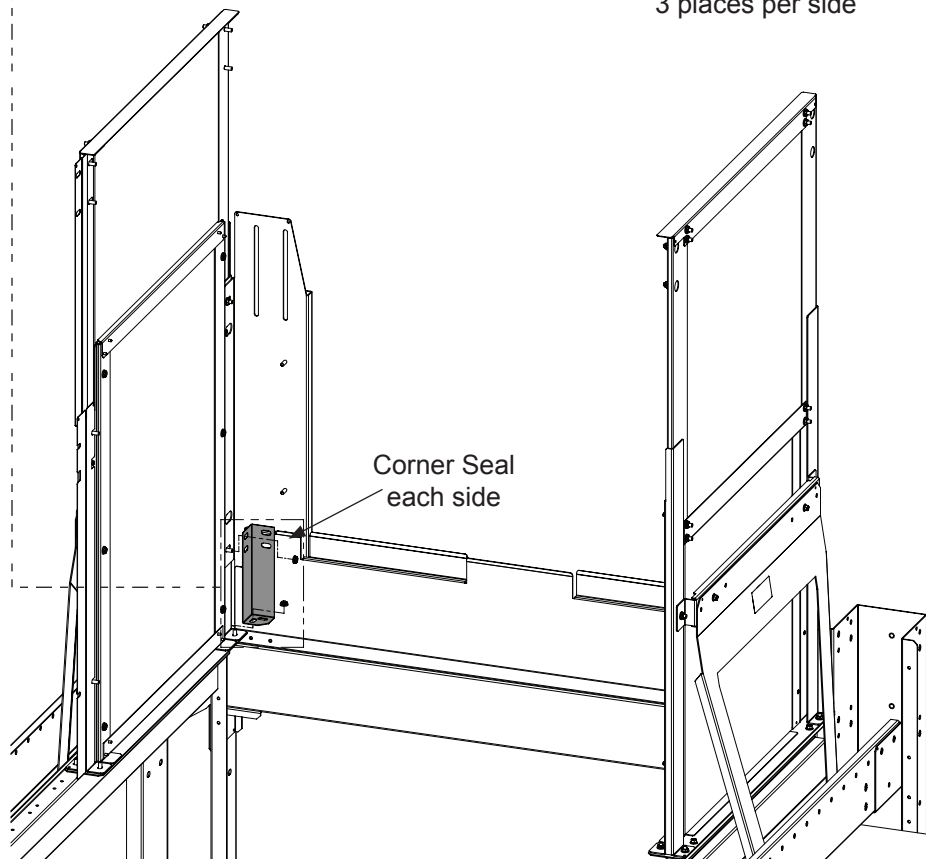
M5 x 0.8 Serrated
Flange Hex Nut
2 places per side



1200 Bracket
each side

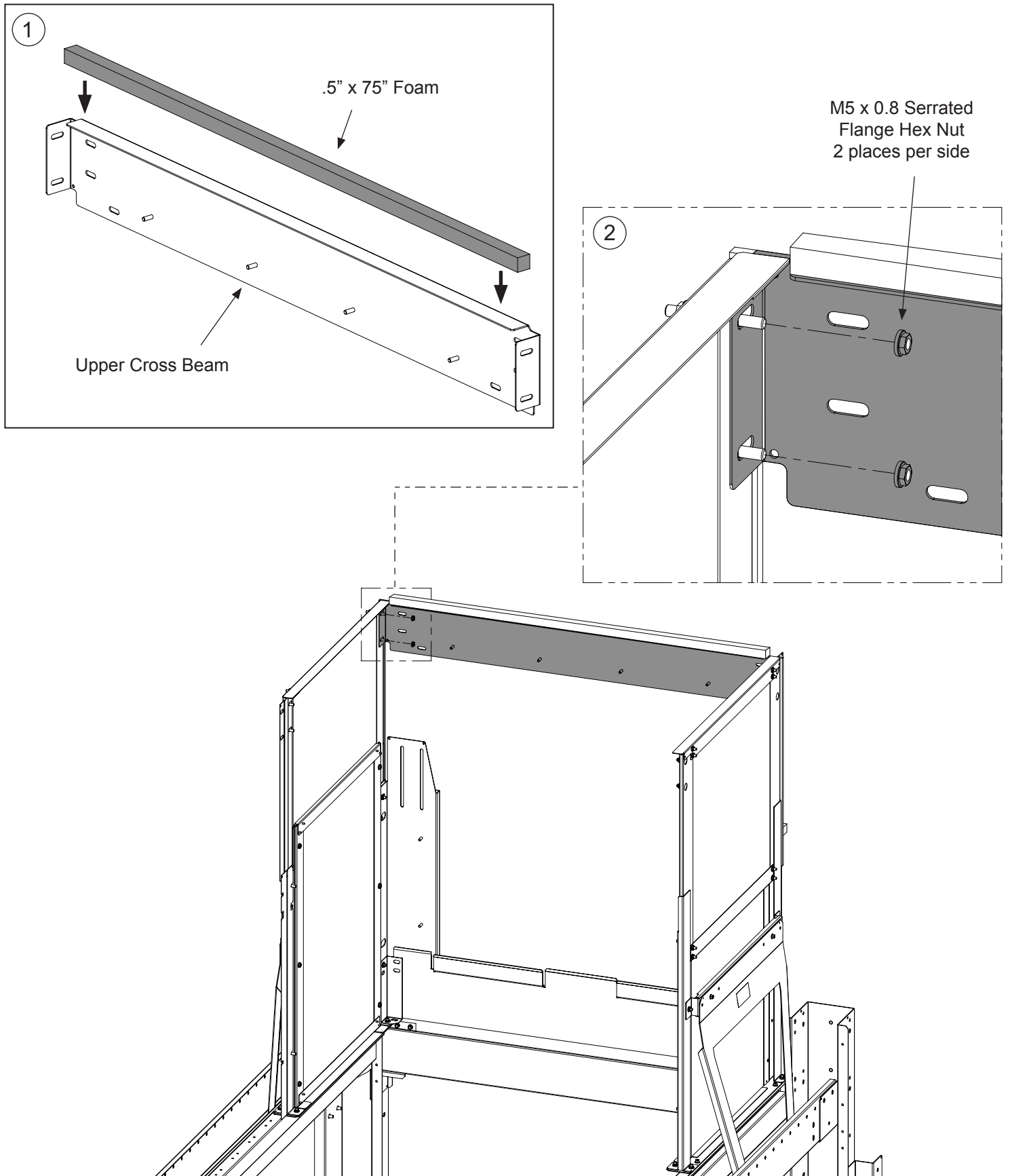


M5 x 0.8 Serrated
Hex Head Trilobular Screw
3 places per side

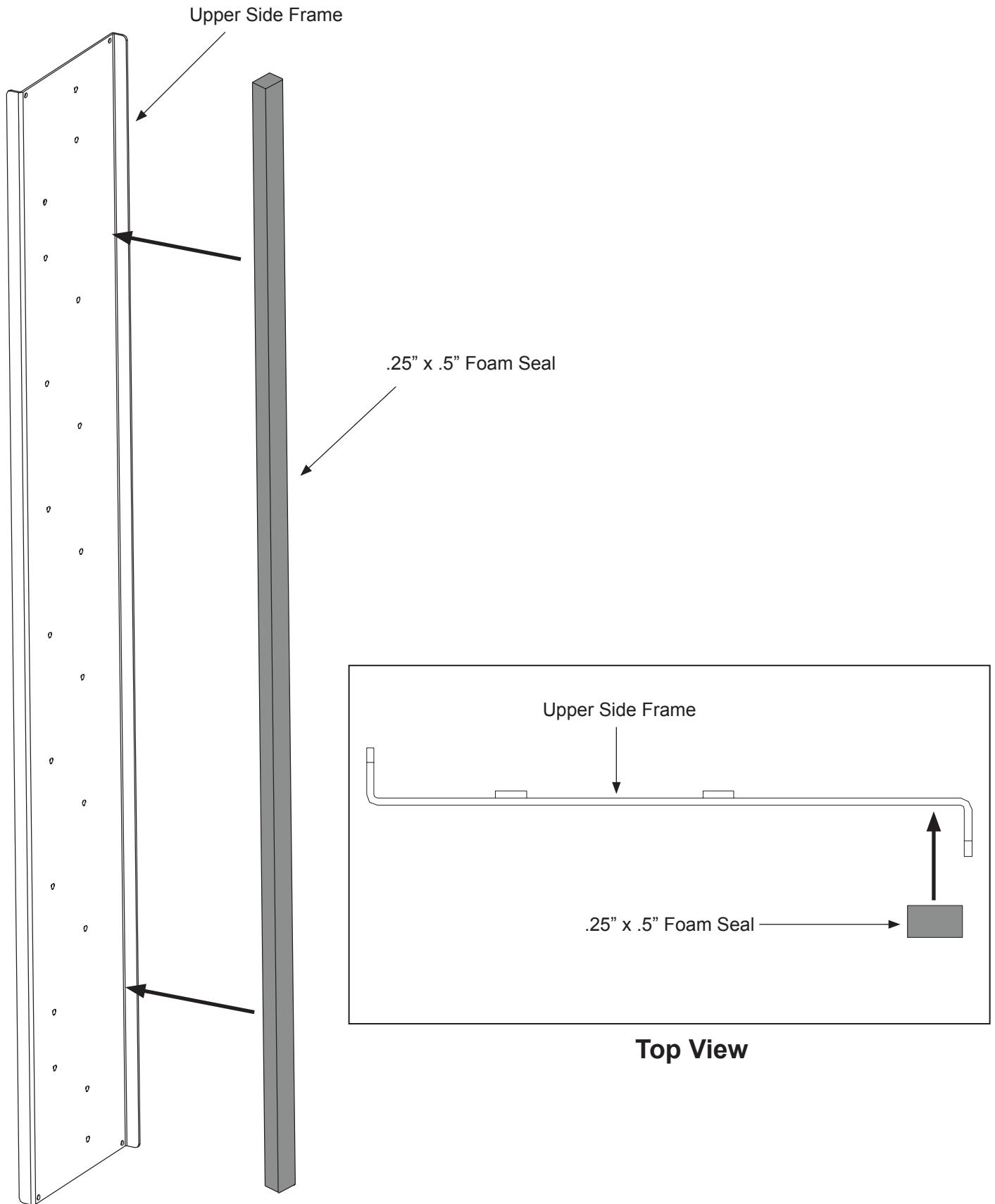


Corner Seal
each side

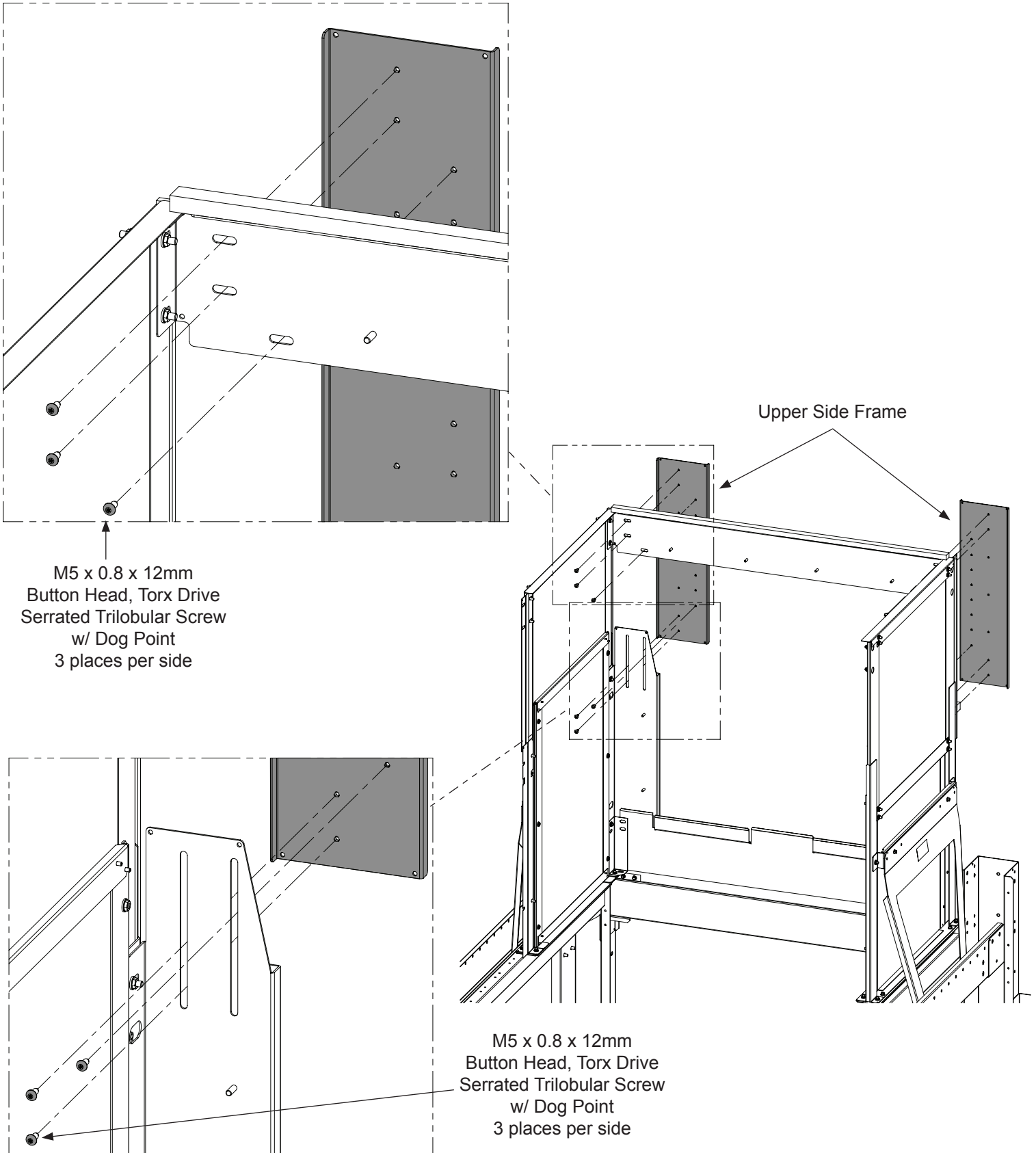
Attaching Upper Cross Beam



Attaching Foam Seal to Upper Side Frame

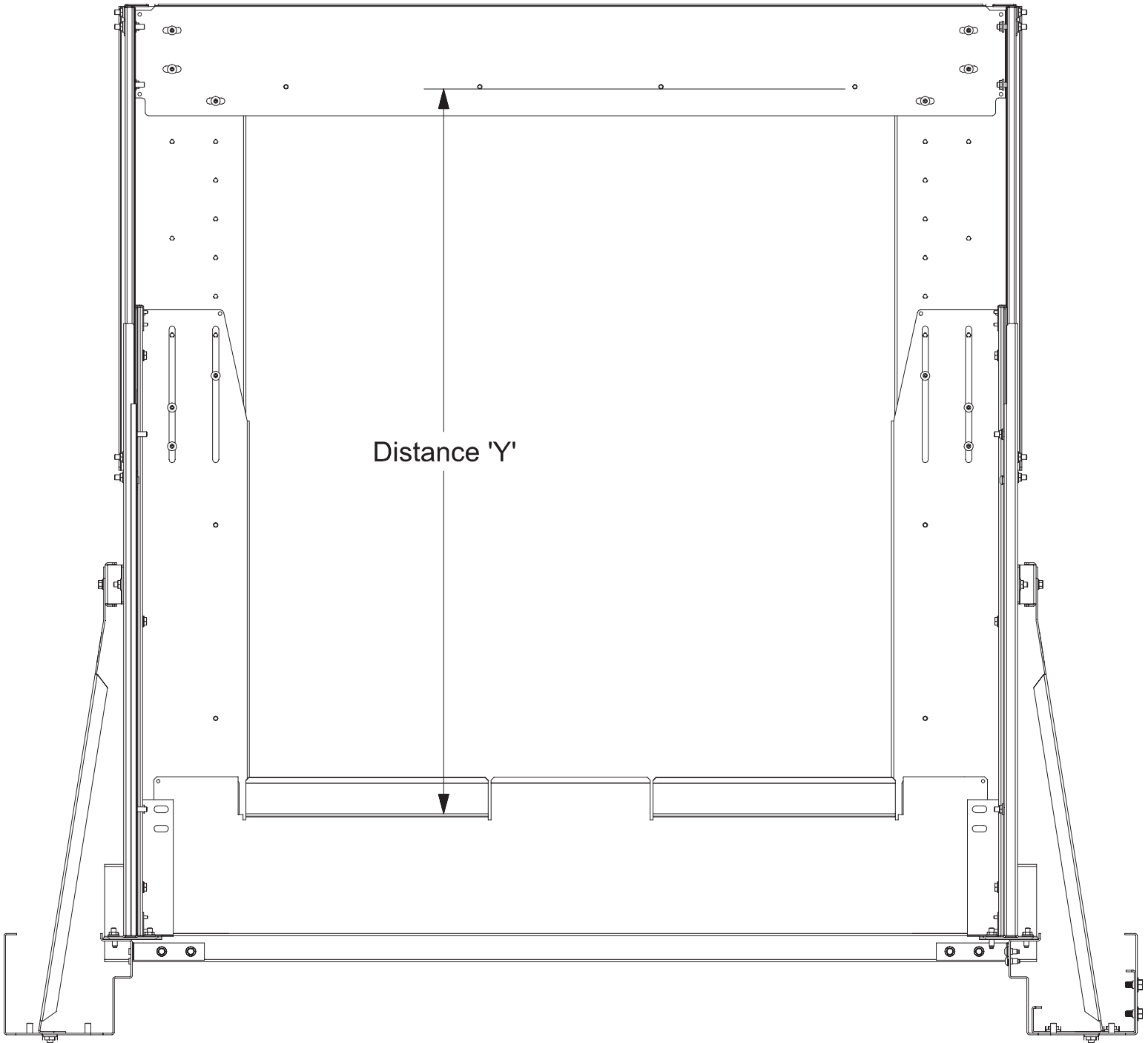


Attaching Upper Side Frame

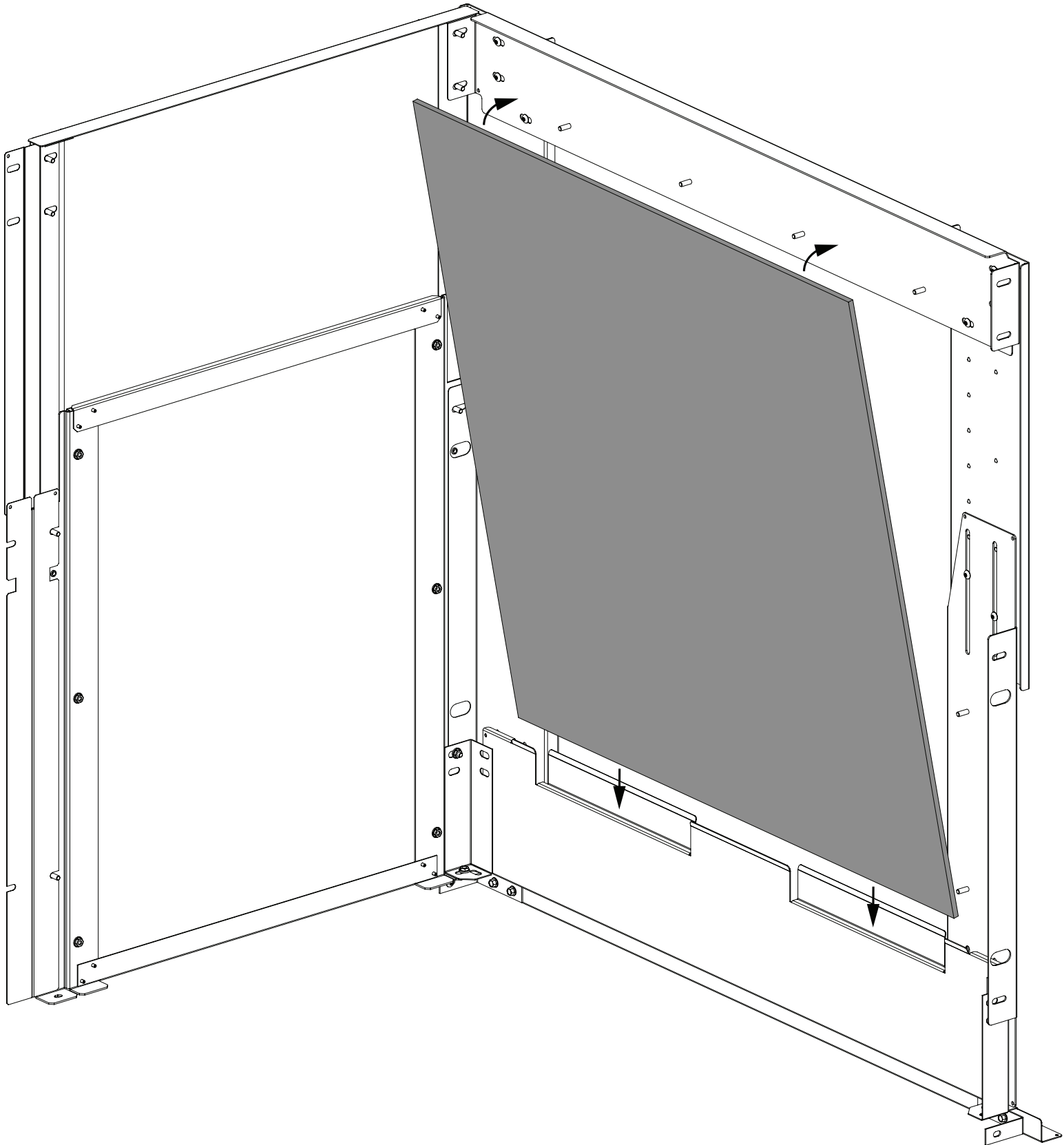


Measure and Cut Wall Panel

- Measure distance between the step on the Lower Panel and the bottom of studs on the Upper Cross Beam to determine Distance 'Y'.
- Cut Wall Panel height to match Distance 'Y' measurement using a sharp knife and a straight edge.

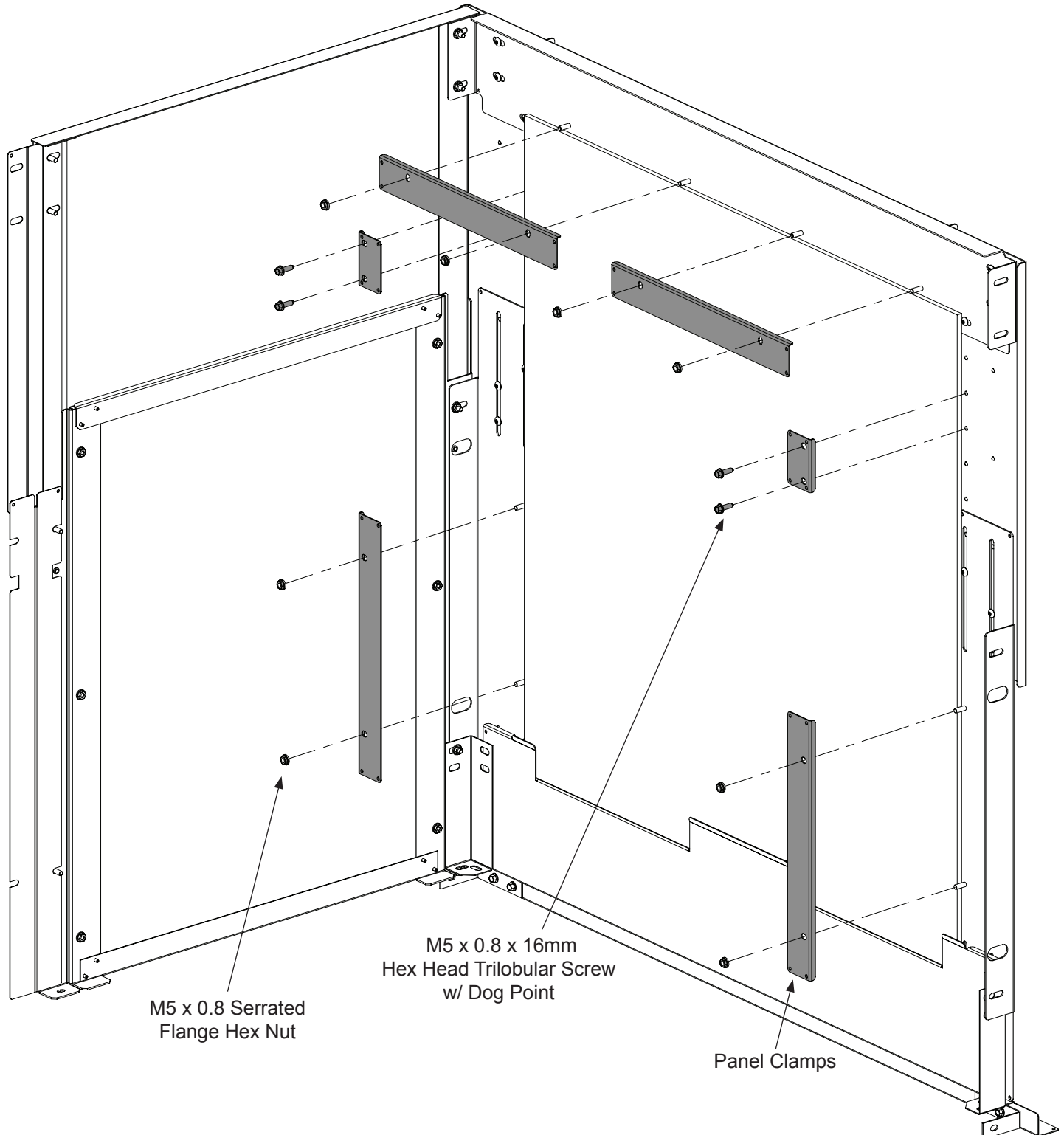


Install Wall Panel into Lower Panel



Attach Panel Clamps

- Attach required number of Panel Clamps across both sides and the top of the End of Row Frame.
Note: Required number of Panel Clamps and fasteners will vary depending on Panel Wall height.



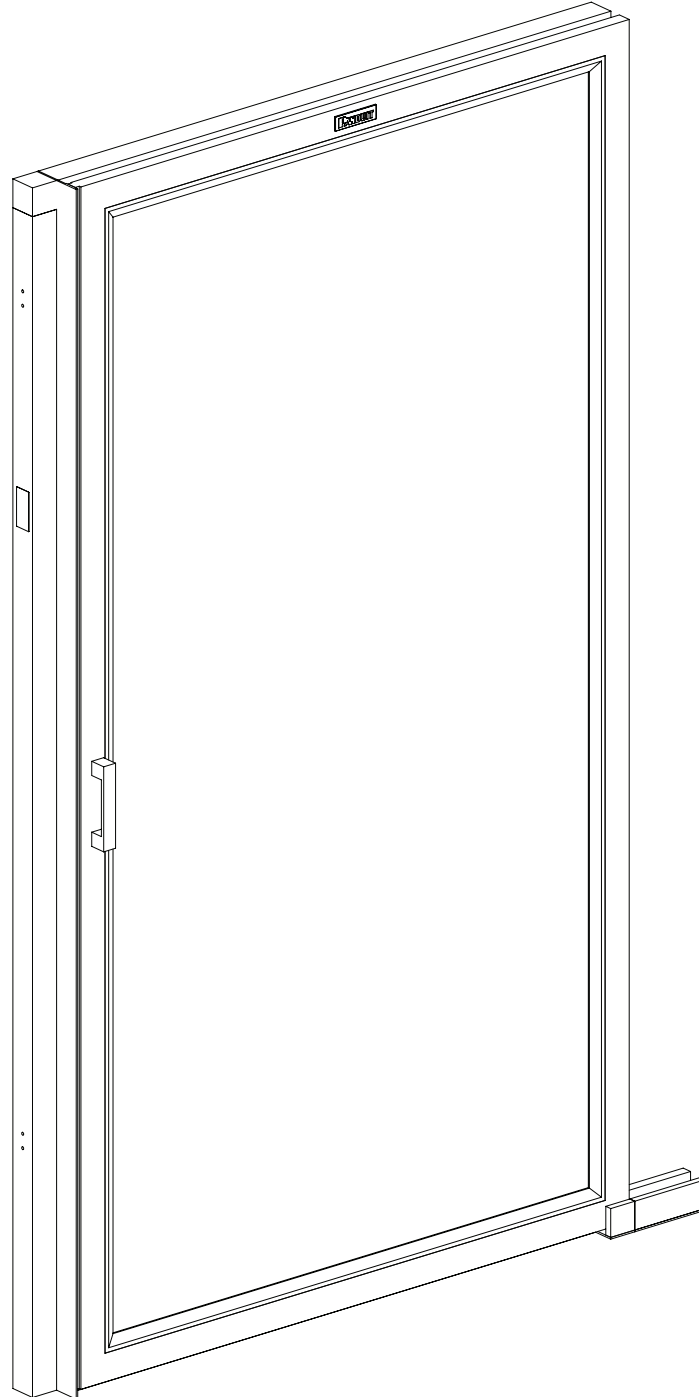
SECTION 6

Installation of the USRC Single Sliding Doors

Part Number(s)

CUSR1SDRH**

CUSR1SDLH**

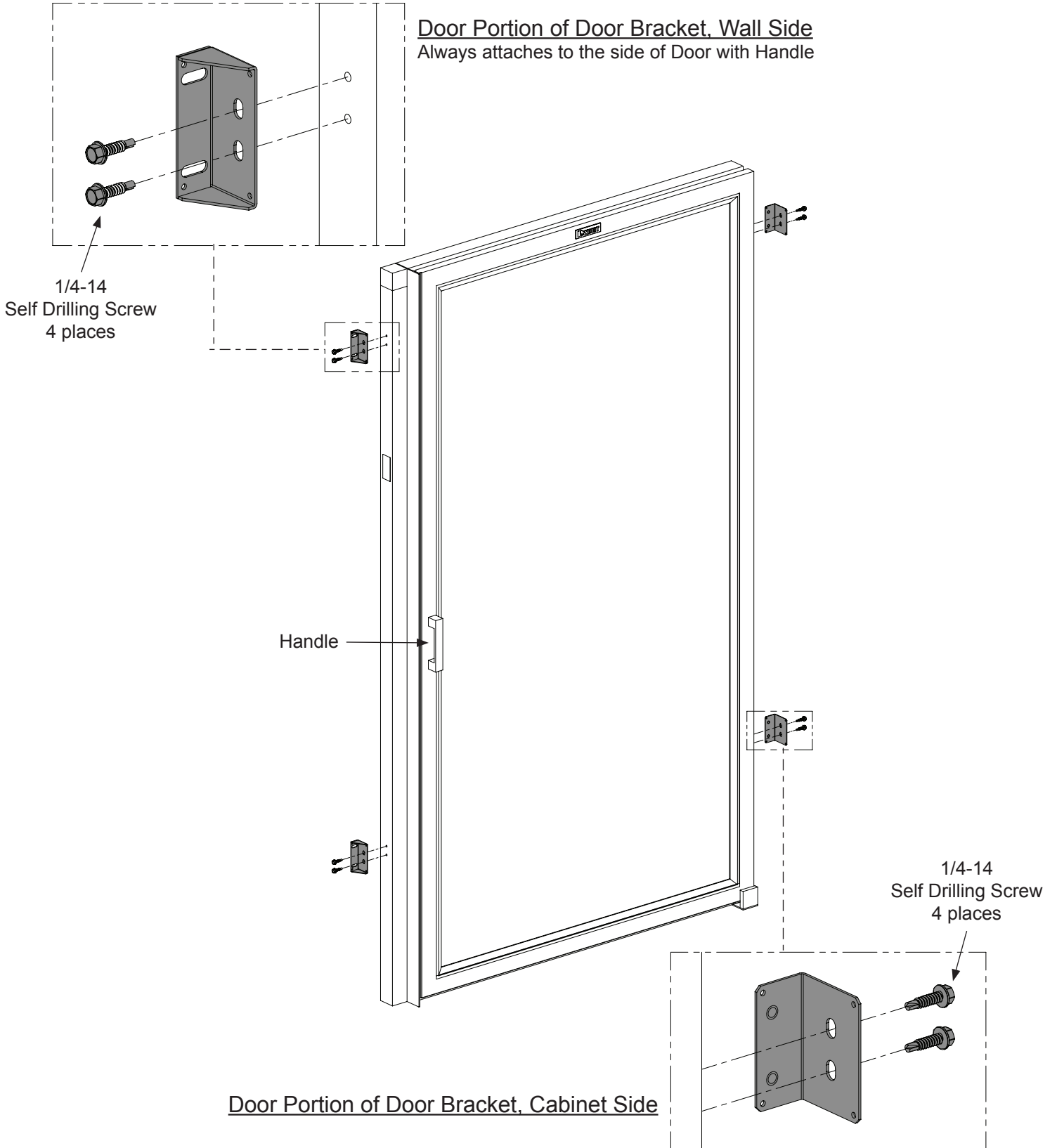


For Technical Support: www.panduit.com/resources/install_maintain.asp

Attaching Door Portion of Door Brackets to the Door (Part of the End of Row Frame)

- Wall Side Door Brackets always attach to the side of the Door with the handle. Right Hand Door shown.
- When installing a UAC 900mm Aisle Width Containment System, the Wall side refers to the side the door handle will be located on.
- When installing a UAC 900mm Aisle Containment Width System, the Cabinet side refers to the side the door opens towards.

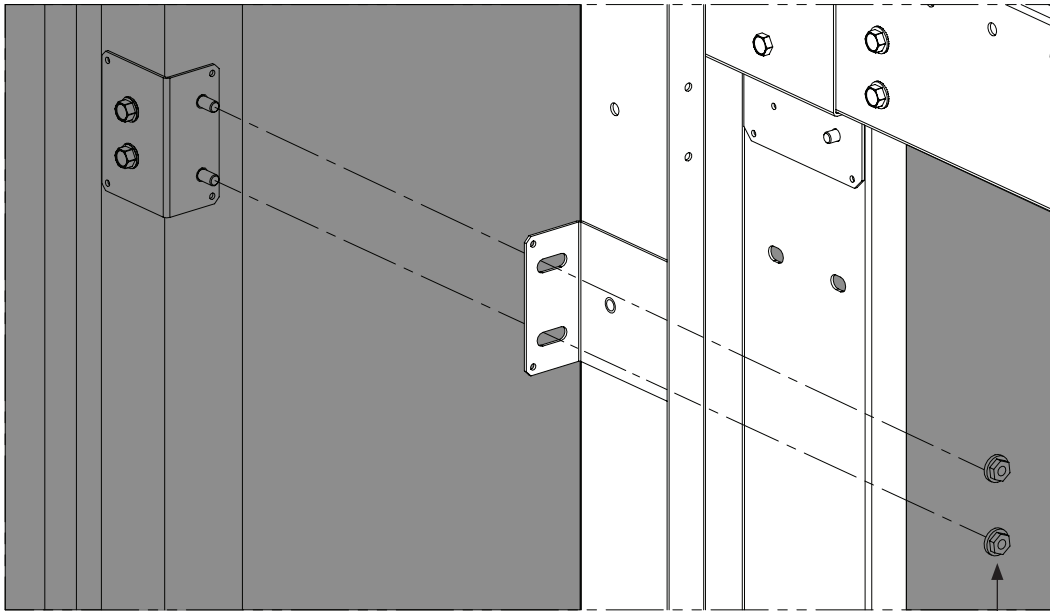
Door Portion of Door Bracket, Wall Side
Always attaches to the side of Door with Handle



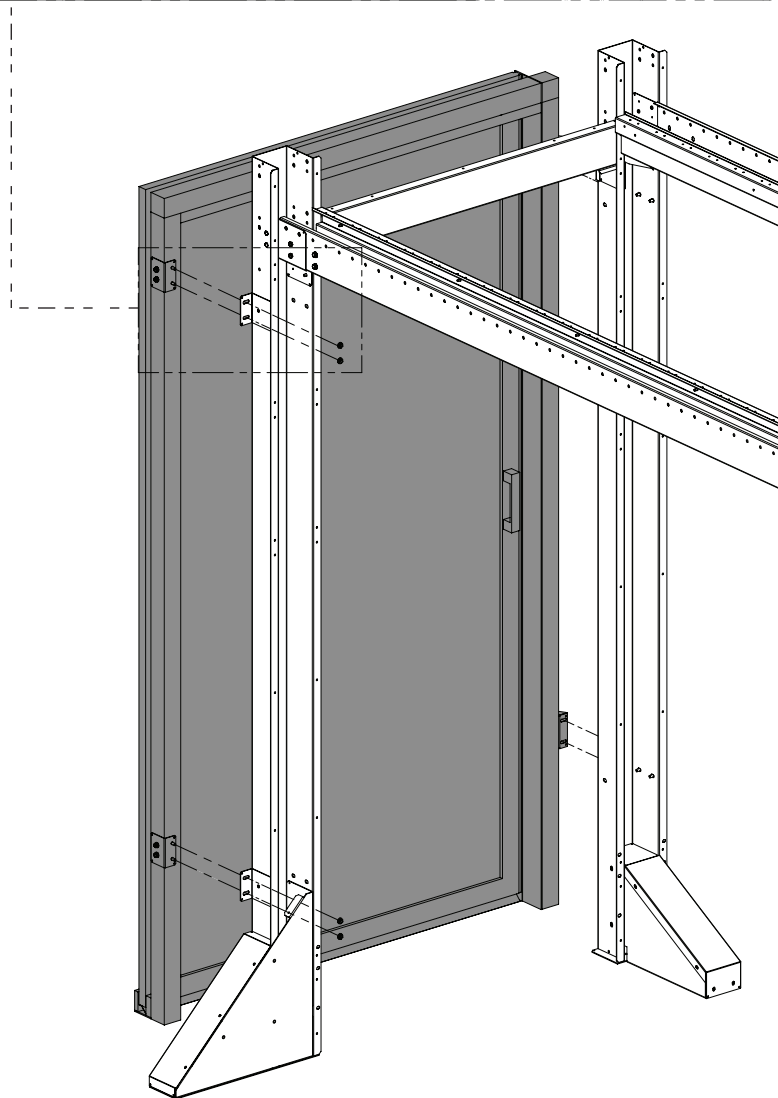
Attaching Door to End of Row Frame

- Handle of Door is always on wall side. Right hand door shown.

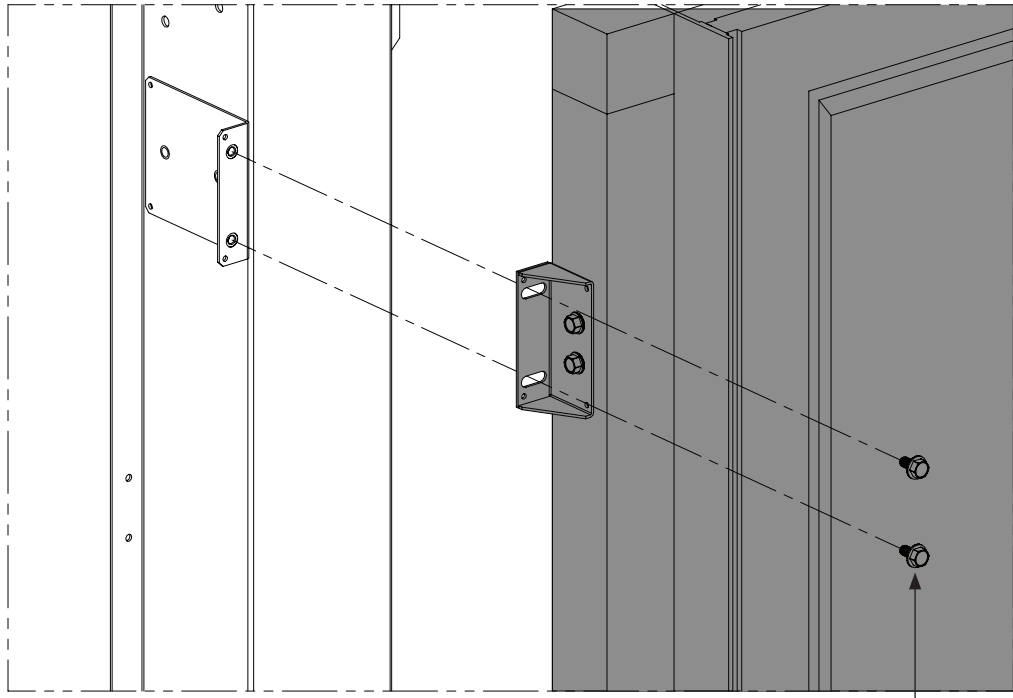
1



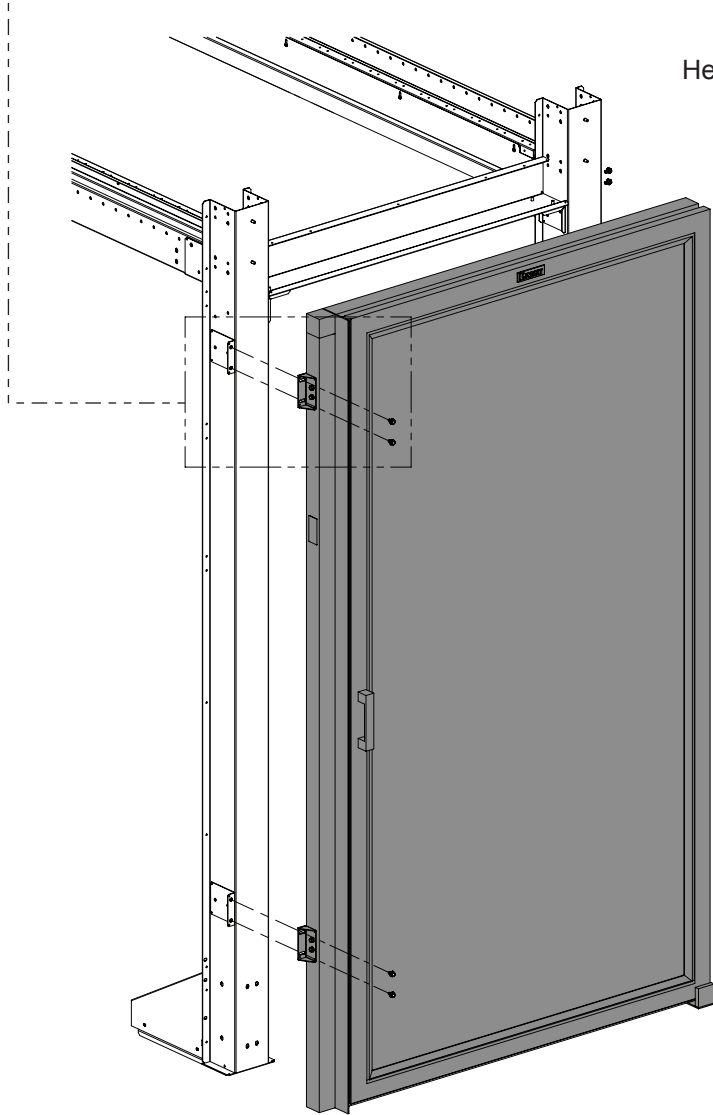
M6 Serrated
Flange Hex Nut
4 places



2

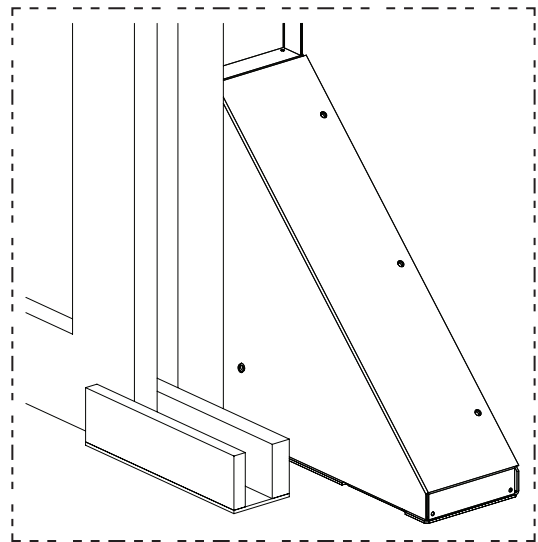
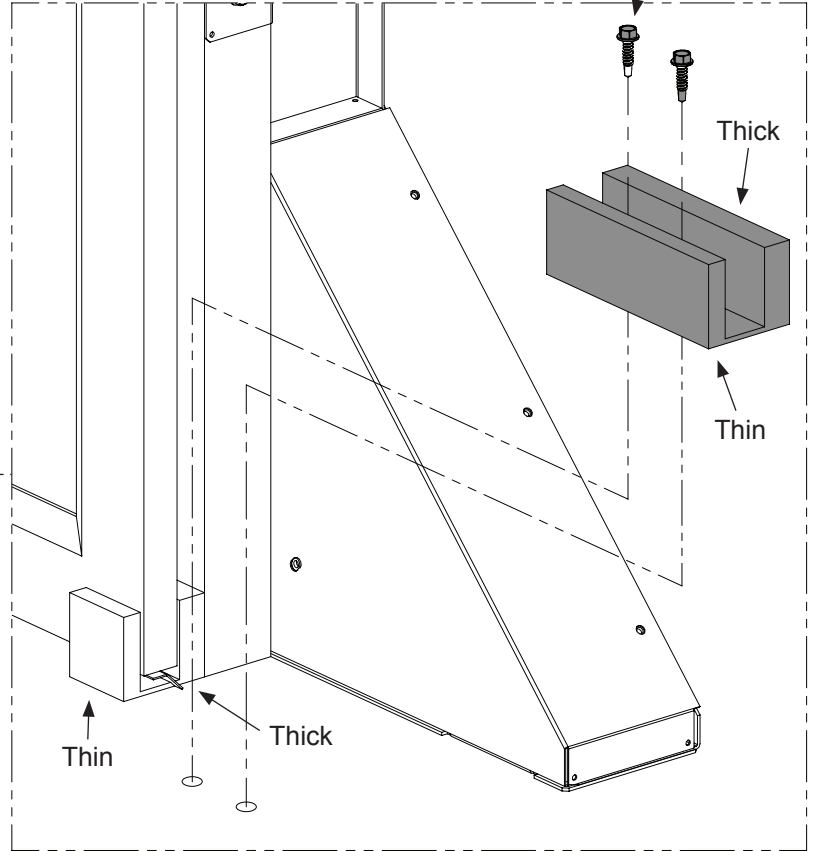
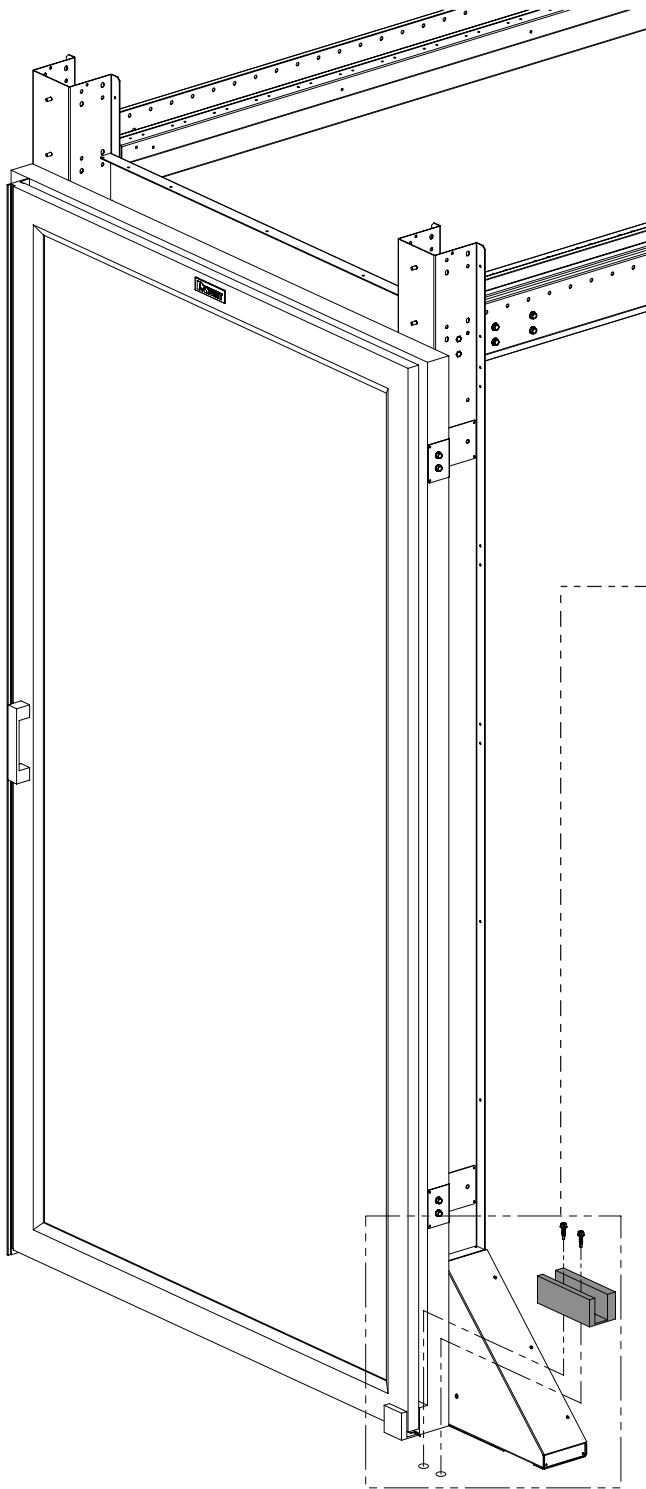


M6 x 12mm
Hex Head SF Screw
4 places

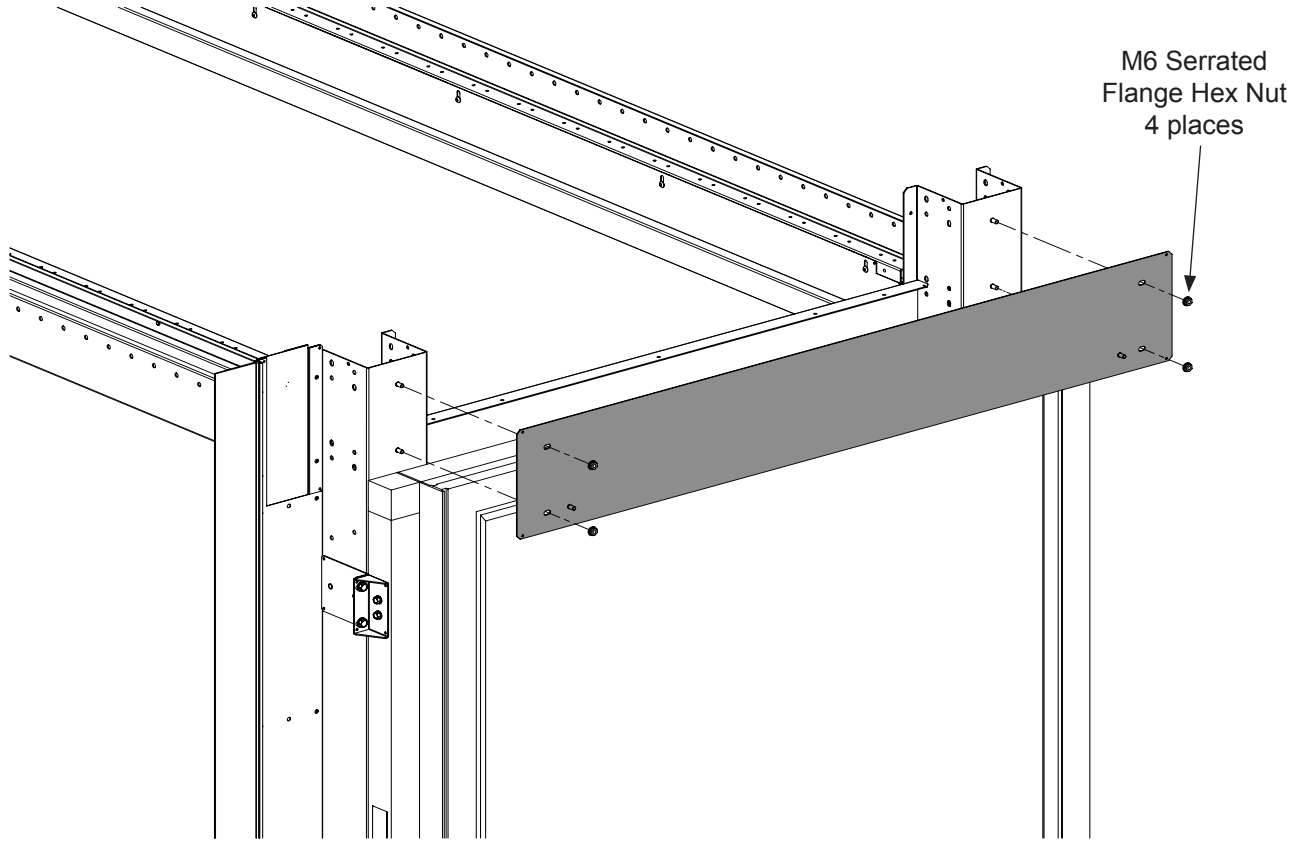


Attaching Door Guide to floor

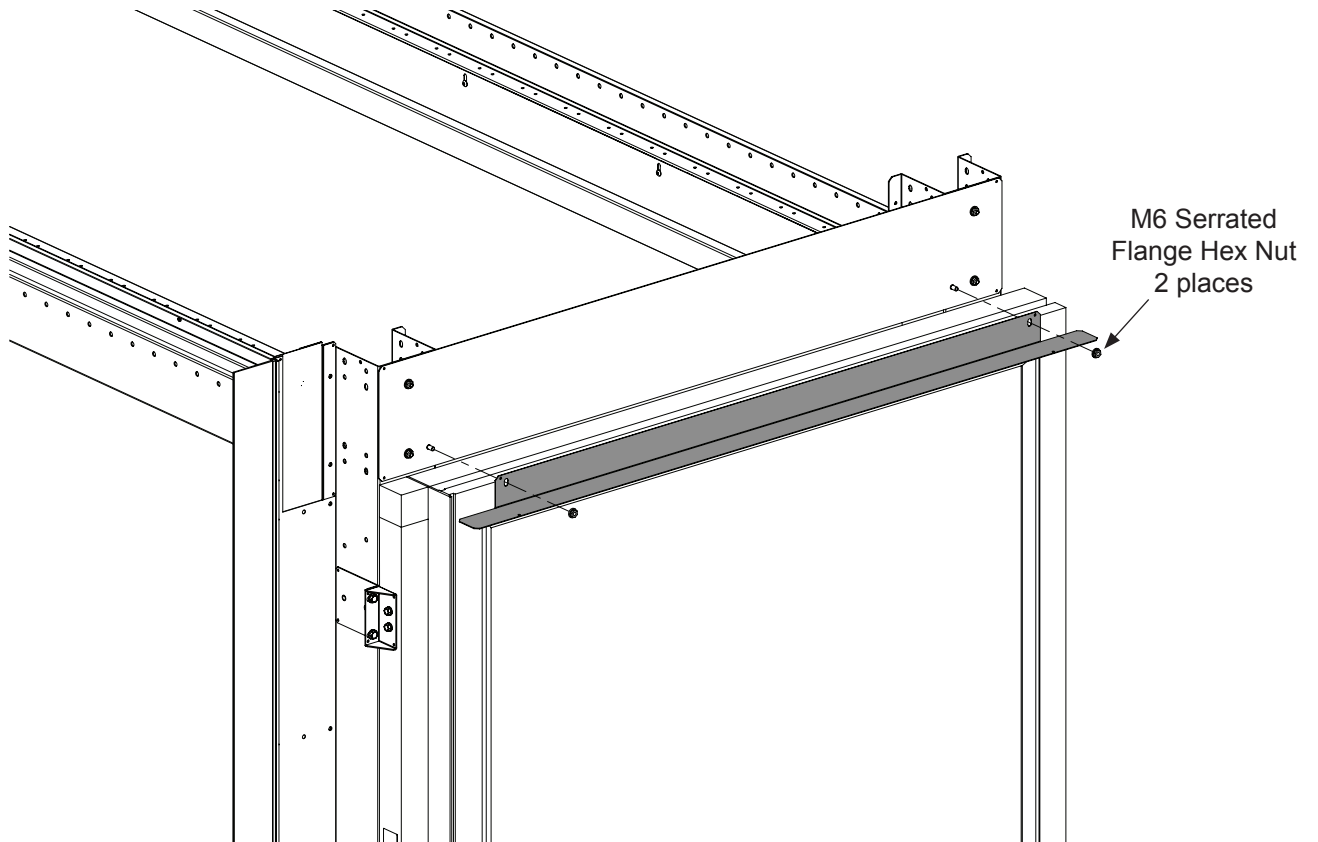
Note: Align Guide Block thick and thin portions together to ensure the Guide Block is not installed backwards.



Attaching Transom (Included with the End of Row Frame)



Attaching Transom Seal (Included with the End of Row Frame)

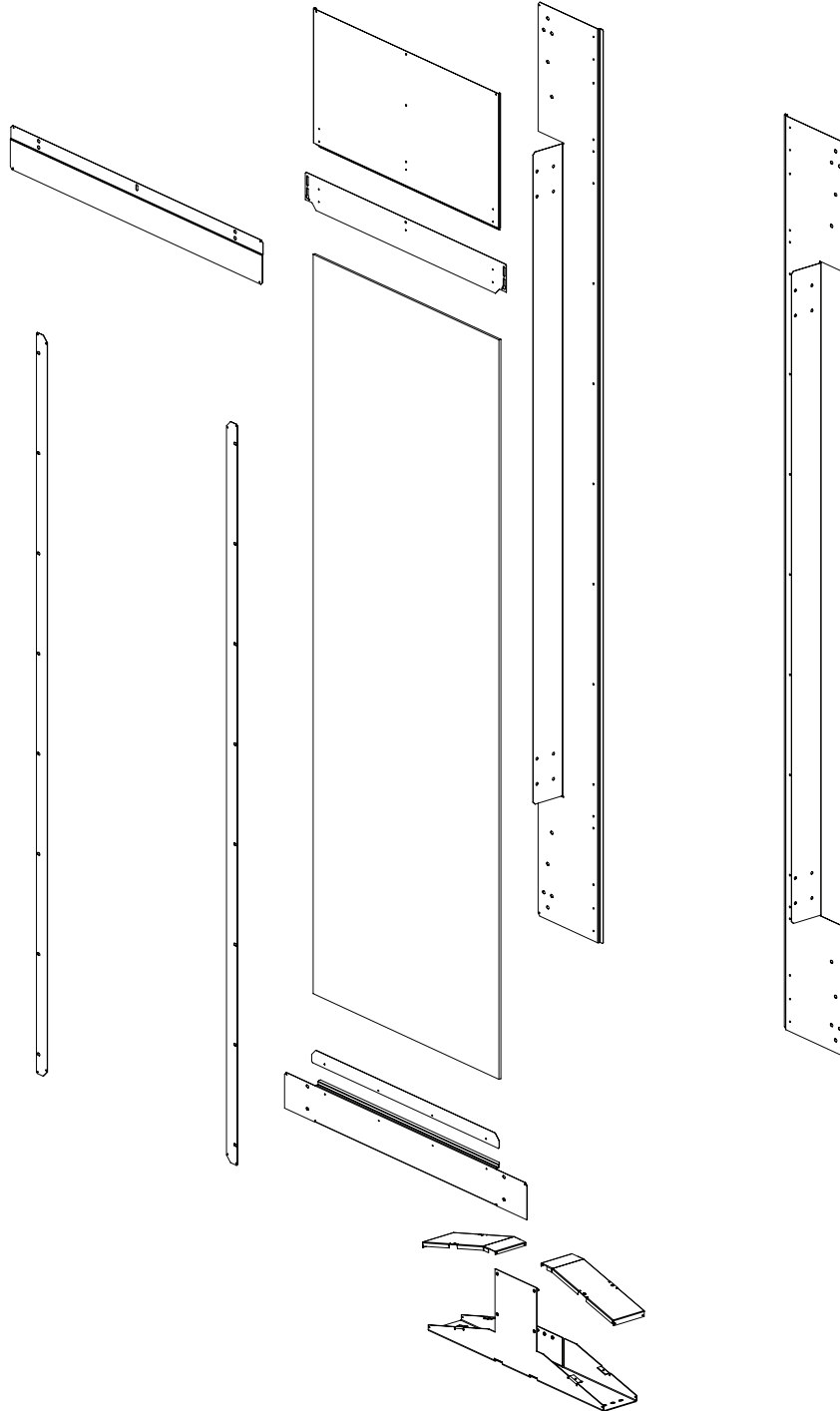


SECTION 7

Installation of the USRC End of Row Cap

Part Number(s)

CUSREORCP**

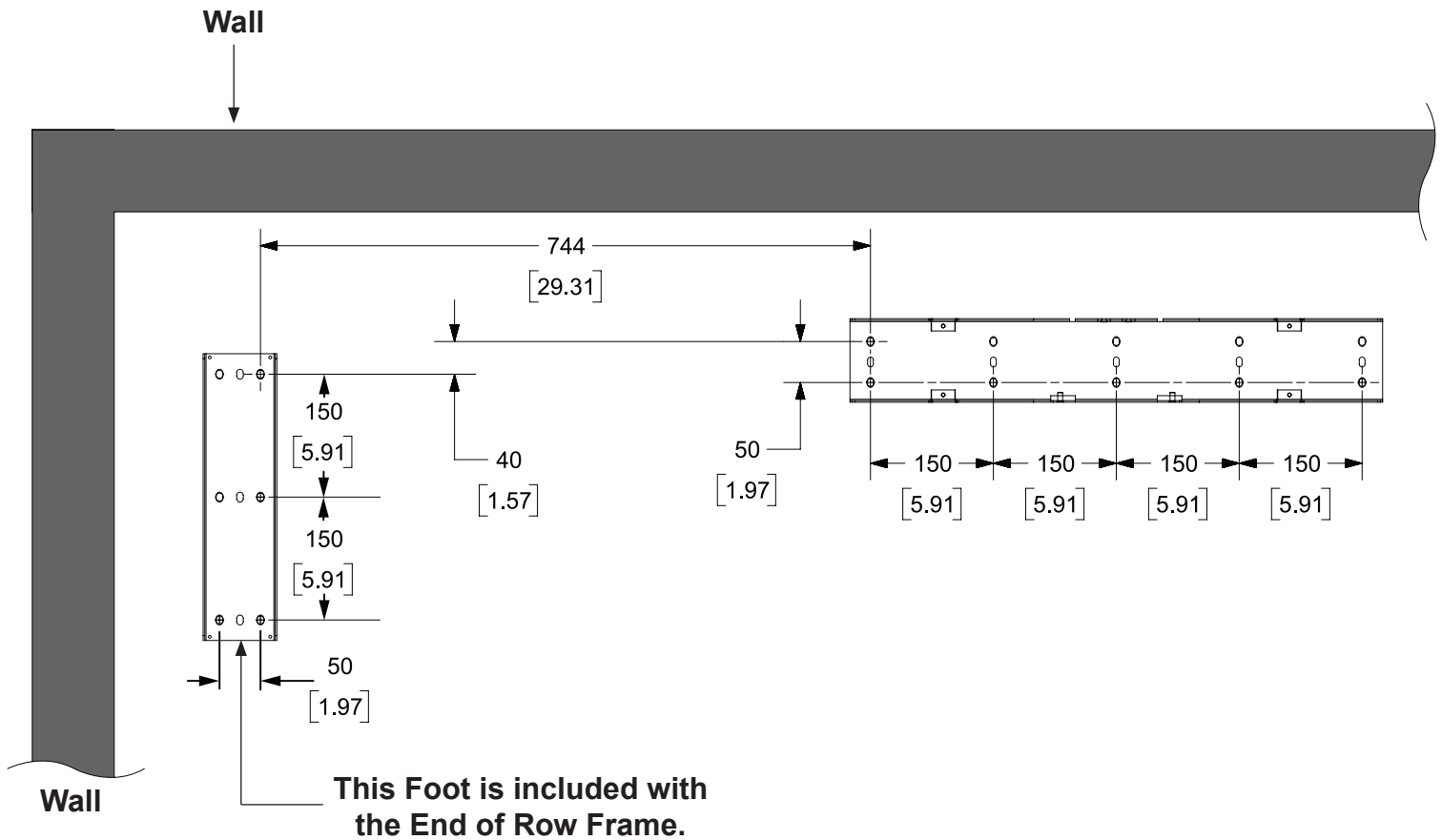


Floor Layout for End of Row Cap

- The End of Row Cap comes with an optional foot that can be used in place of the Cabinet Side Foot that comes with the End of Row Frame if obstructions, such as a wall, make installation of that End of Row Frame cabinet-side foot difficult.
 - The End of Row Cap Foot and End Cap Post can be assembled to the End of Row Frame Posts prior to floor mounting if obstructions, such as a wall, would make that installation difficult.
- Reference Section 1, Installation of the USRC End of Row Frames, for further installation instructions not detailed here.

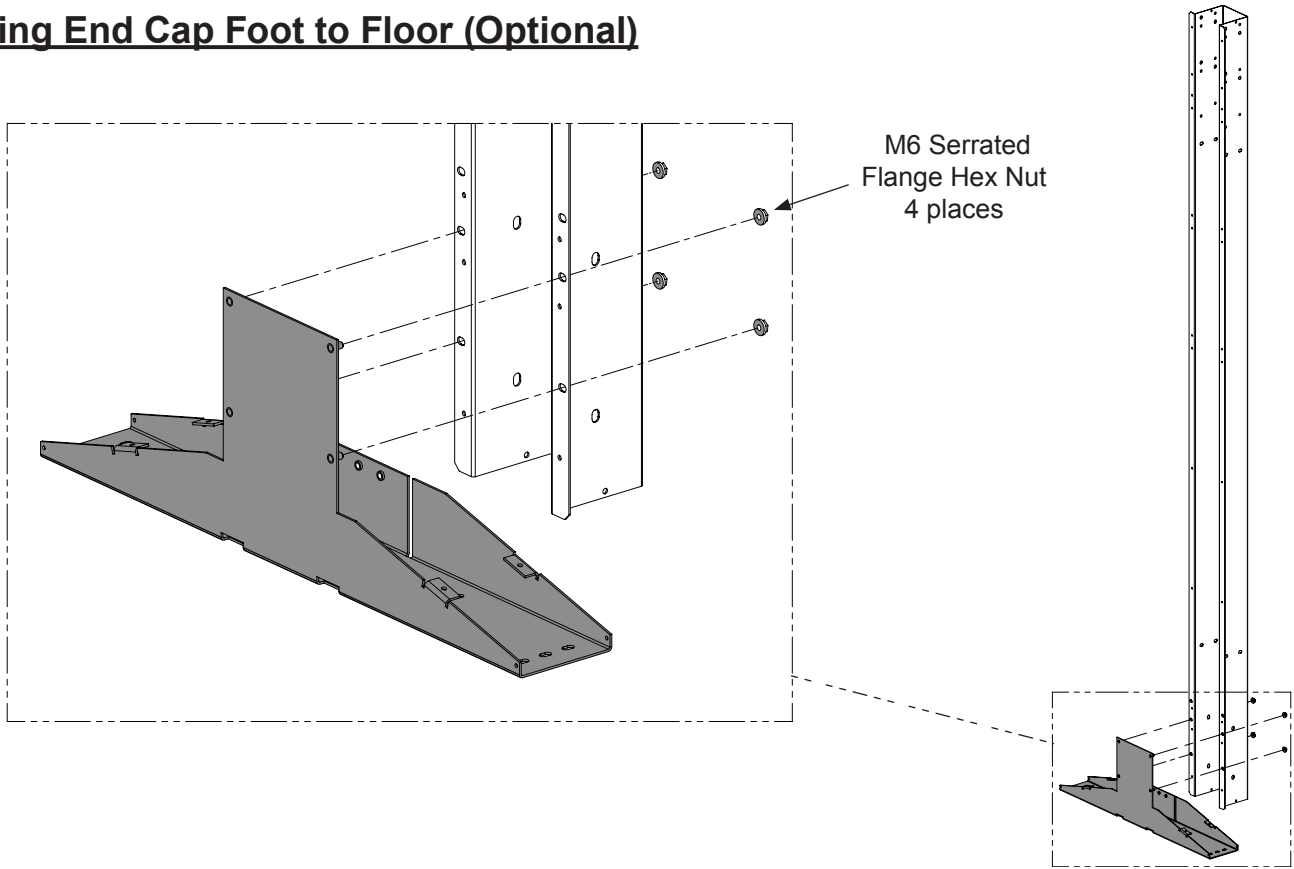
Note:

If using the End of Row Frame Foot or installing a UAC 900mm Aisle Width Containment System, skip ahead to 'Attaching End of Row Cap Post' step on Page 105.



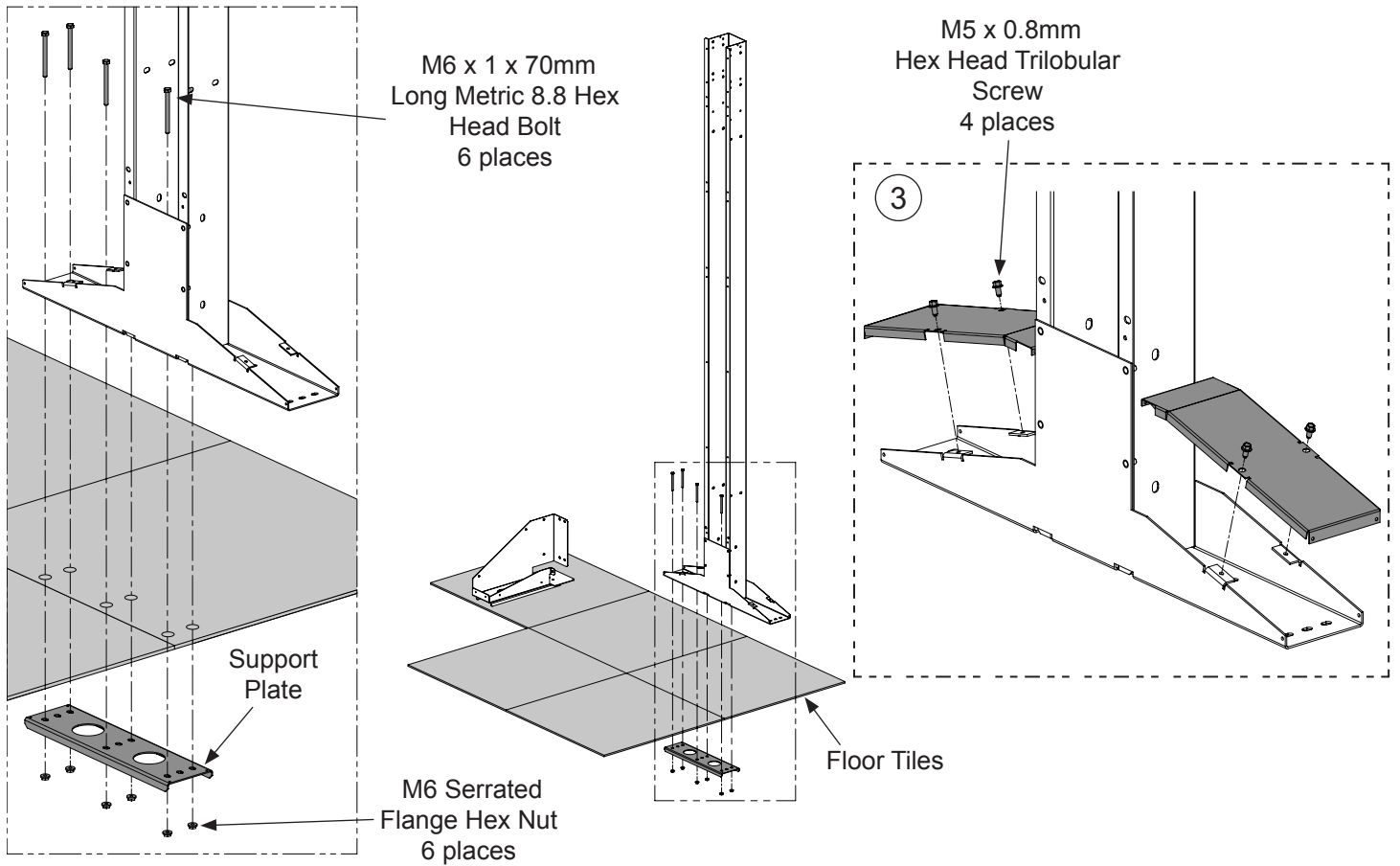
Attaching End Cap Foot to Floor (Optional)

1



M6 Serrated
Flange Hex Nut
4 places

2



M6 x 1 x 70mm
Long Metric 8.8 Hex
Head Bolt
6 places

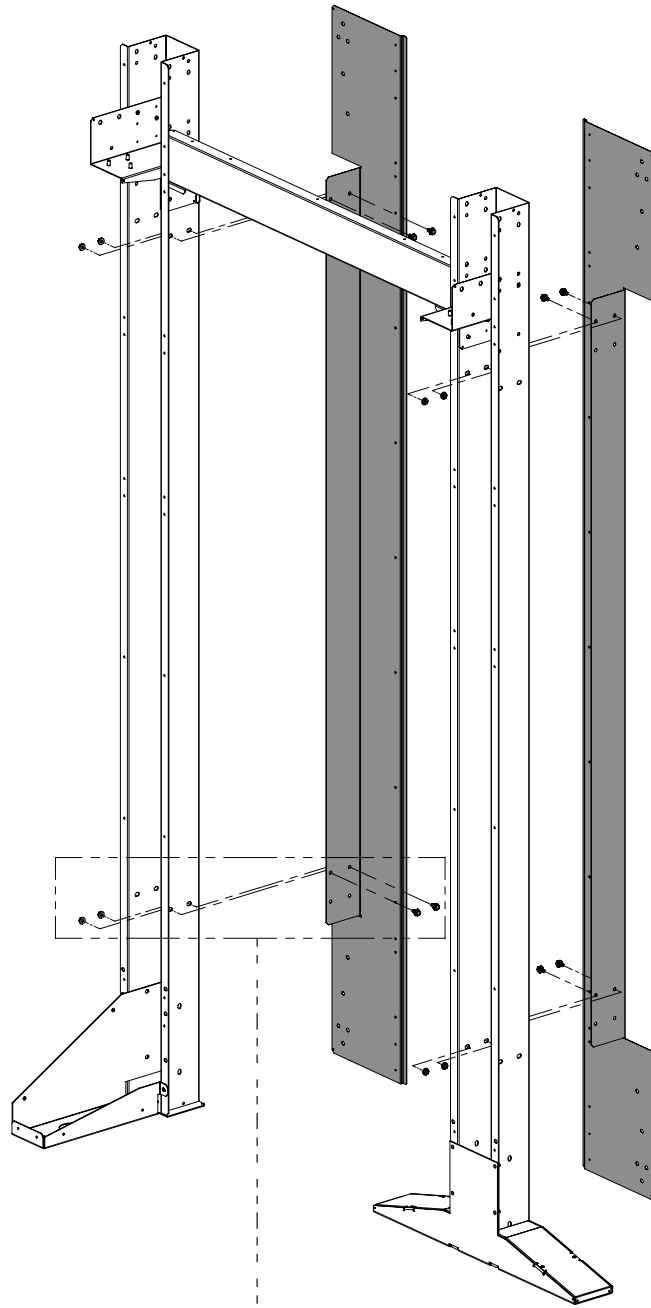
M5 x 0.8mm
Hex Head Trilobular
Screw
4 places

3

Attaching End of Row Cap Post

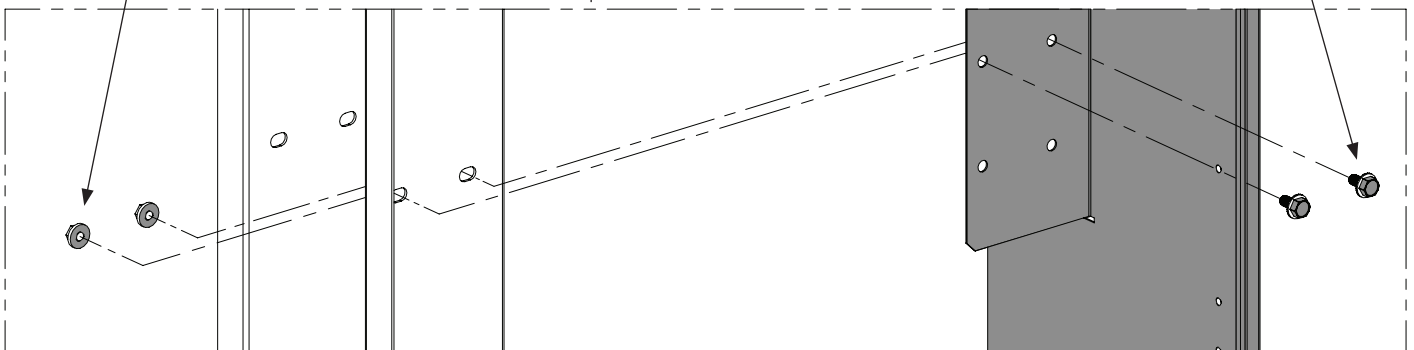
1

View from Inside
the Containment

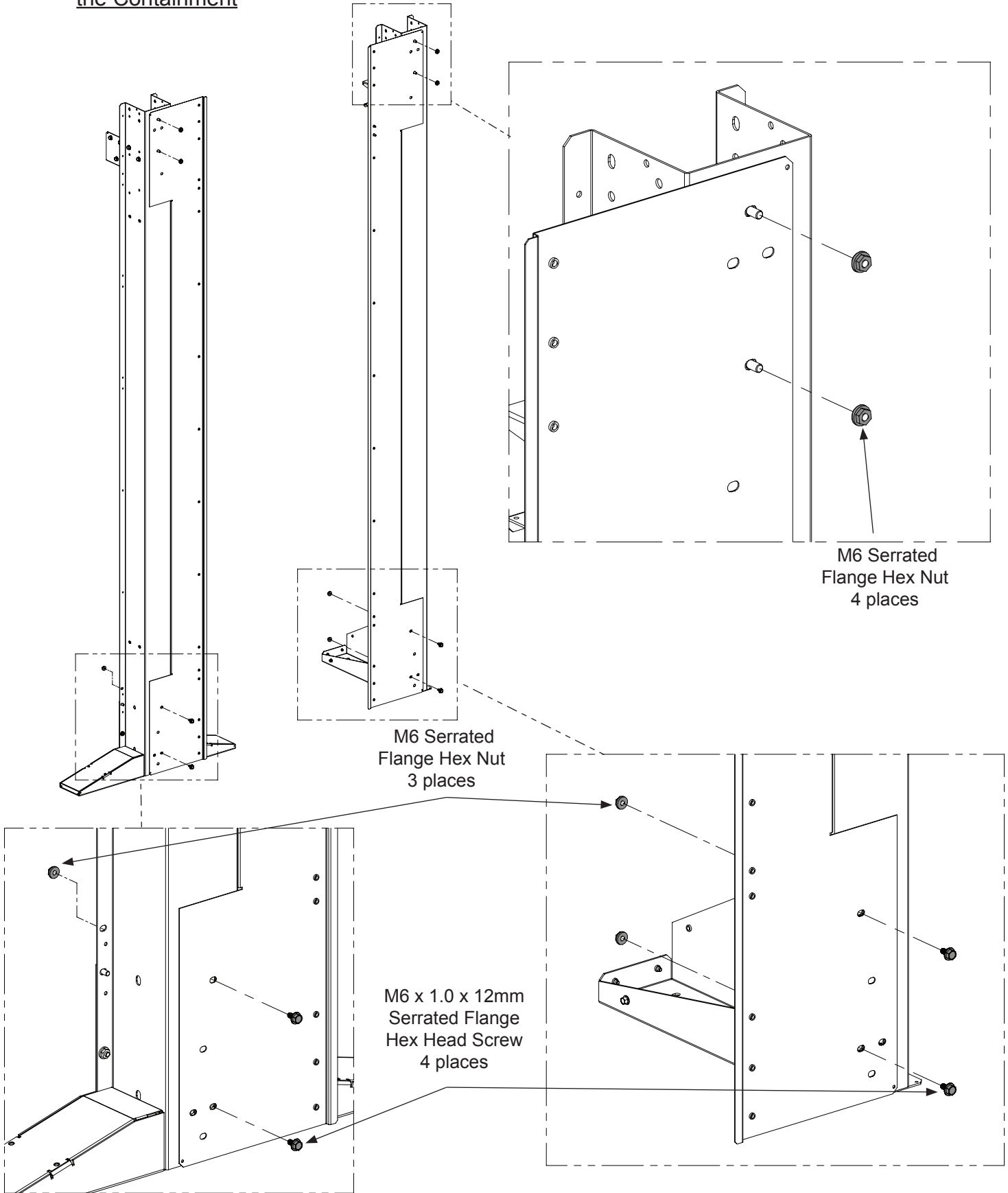


M6 Serrated
Flange Hex Nut
8 places

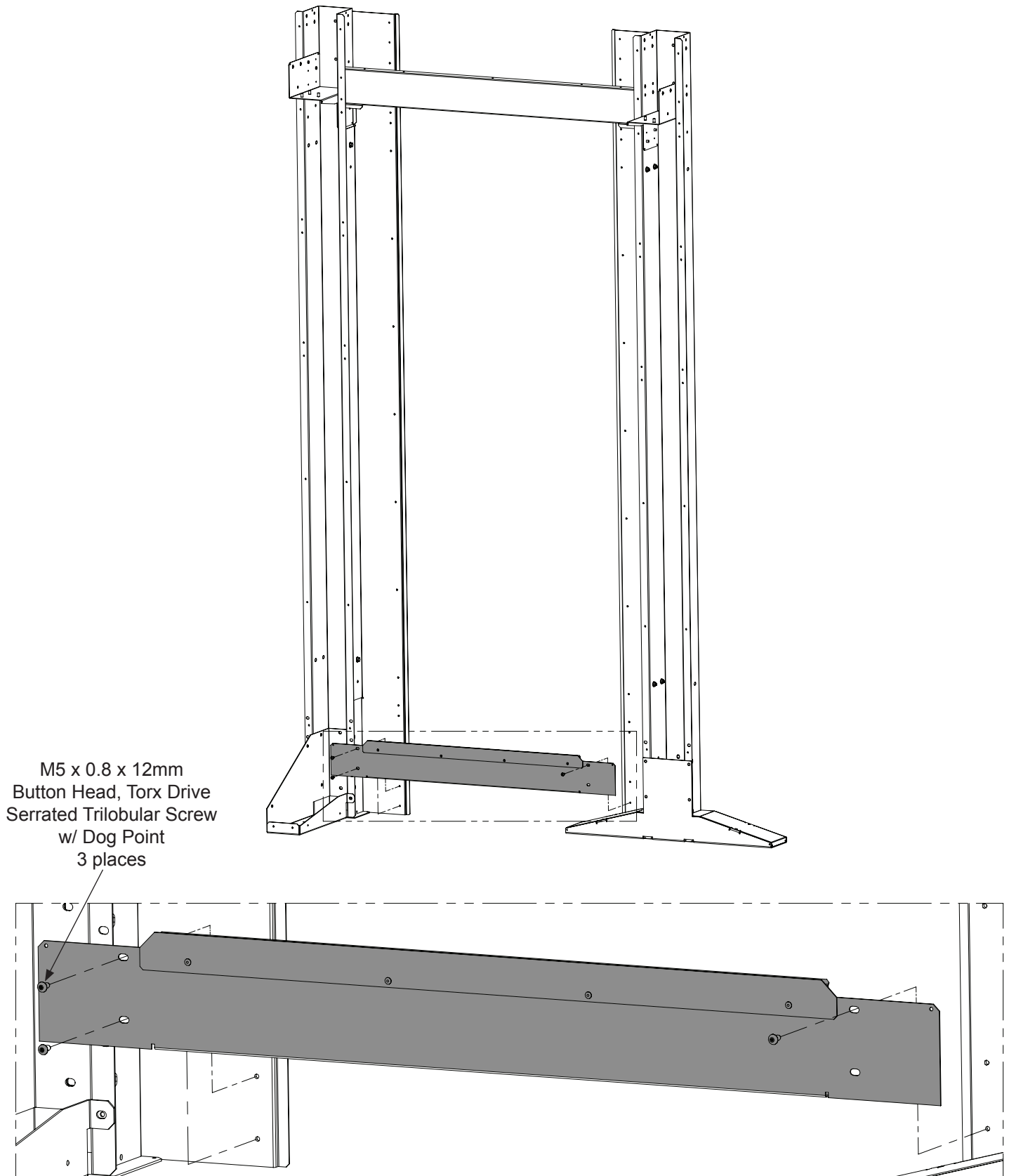
M6 x 1.0 x 12mm
Serrated Flange
Hex Head Screw
8 places



2 View from Outside
the Containment

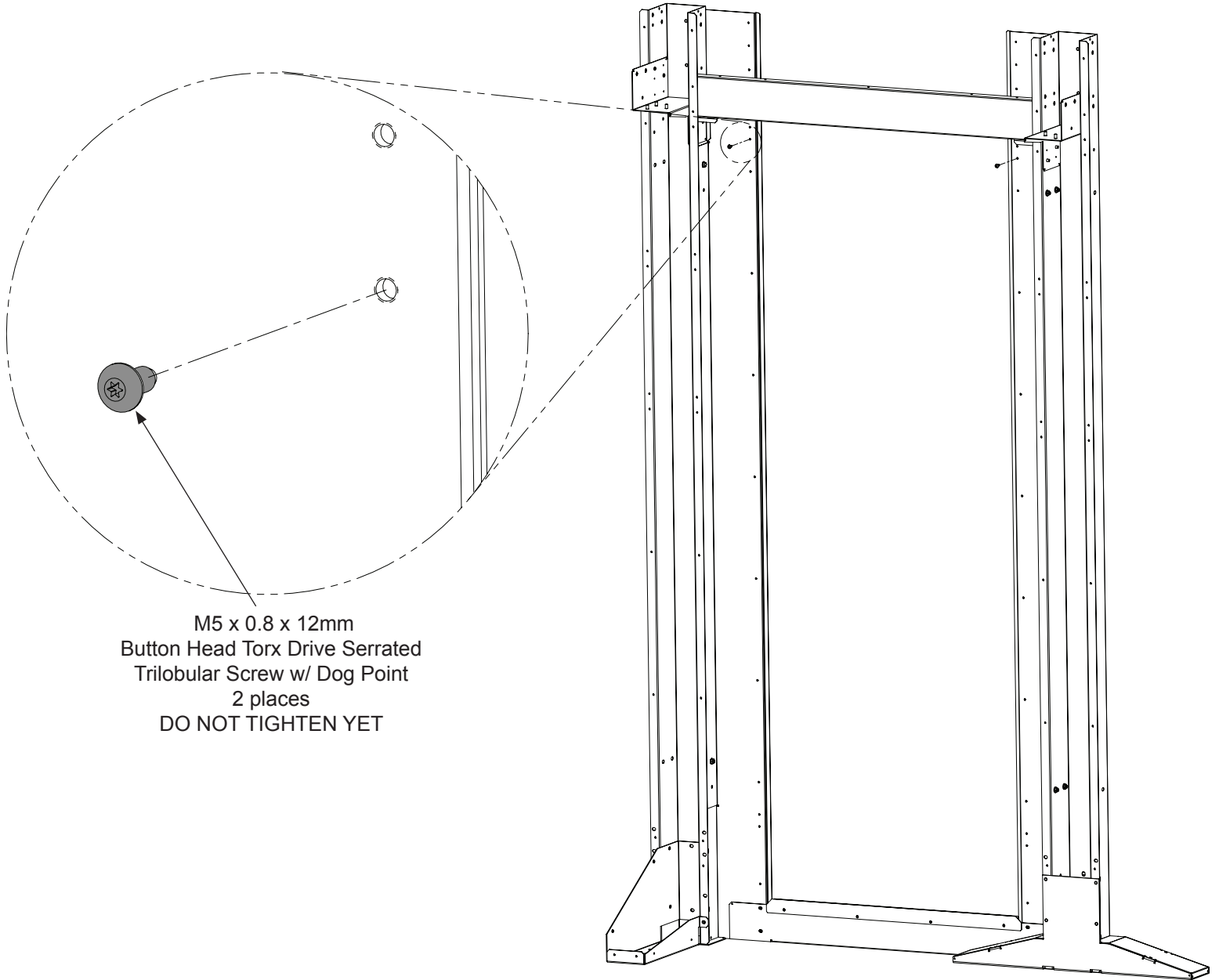


Attaching End of Row Cap Base Assembly



Attaching End of Row Cap Header Assembly

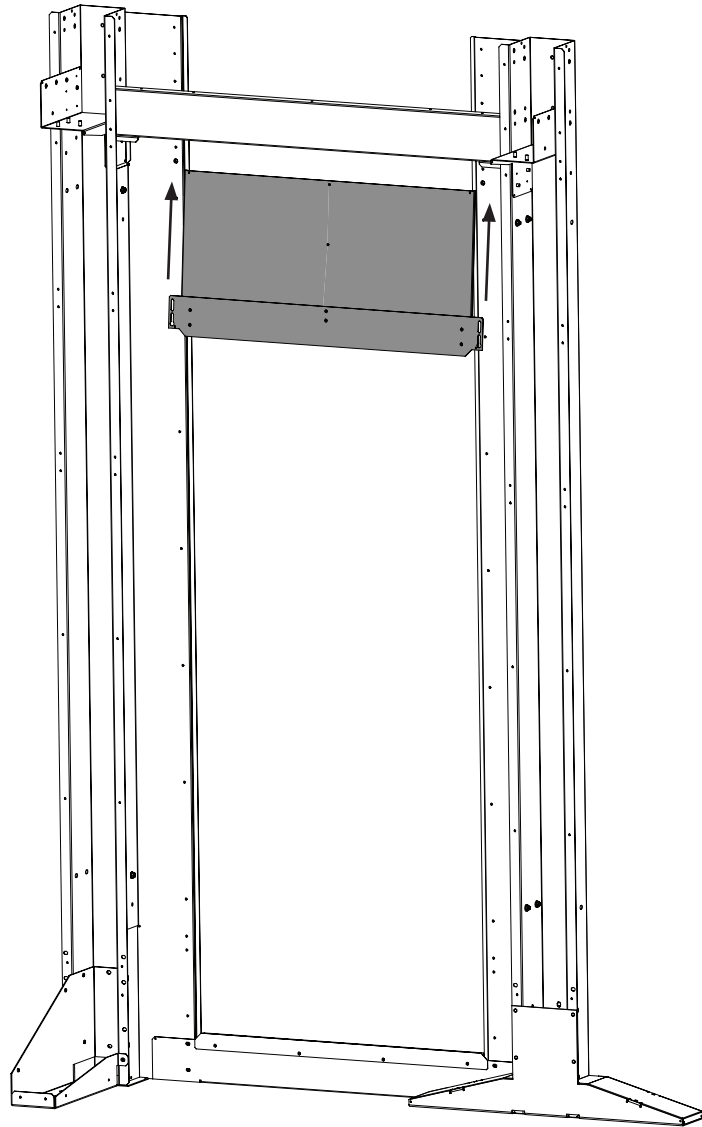
1



M5 x 0.8 x 12mm
Button Head Torx Drive Serrated
Trilobular Screw w/ Dog Point
2 places
DO NOT TIGHTEN YET

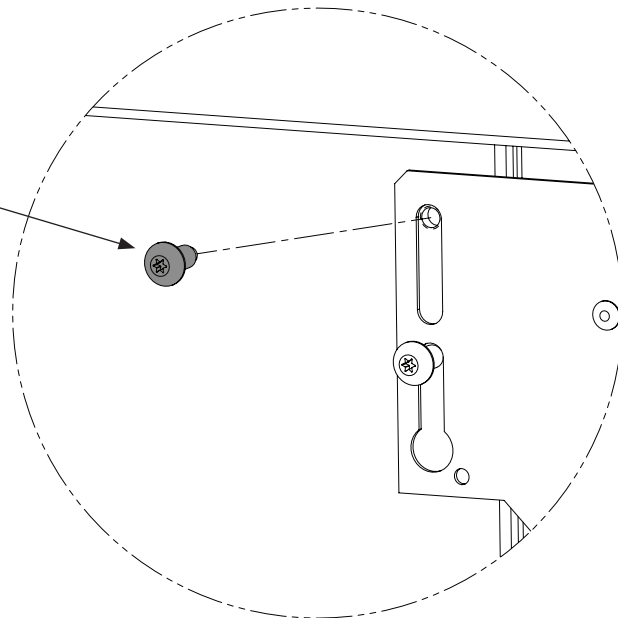
2

Install the lower slots of Header Assembly onto the screws installed in step 1.



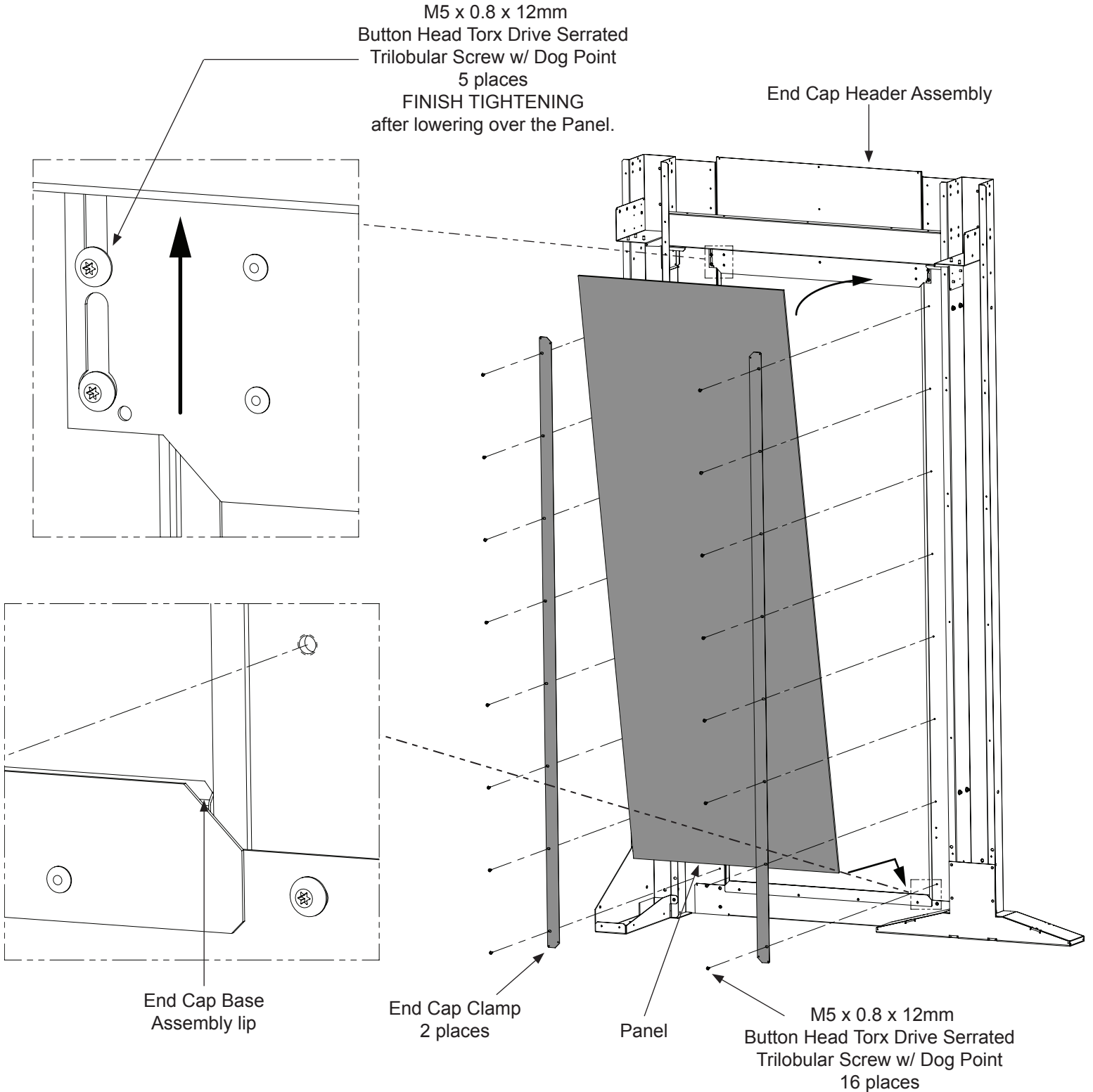
3

M5 x 0.8 x 12mm
Button Head Torx Drive Serrated
Trilobular Screw w/ Dog Point
3 places
DO NOT TIGHTEN YET



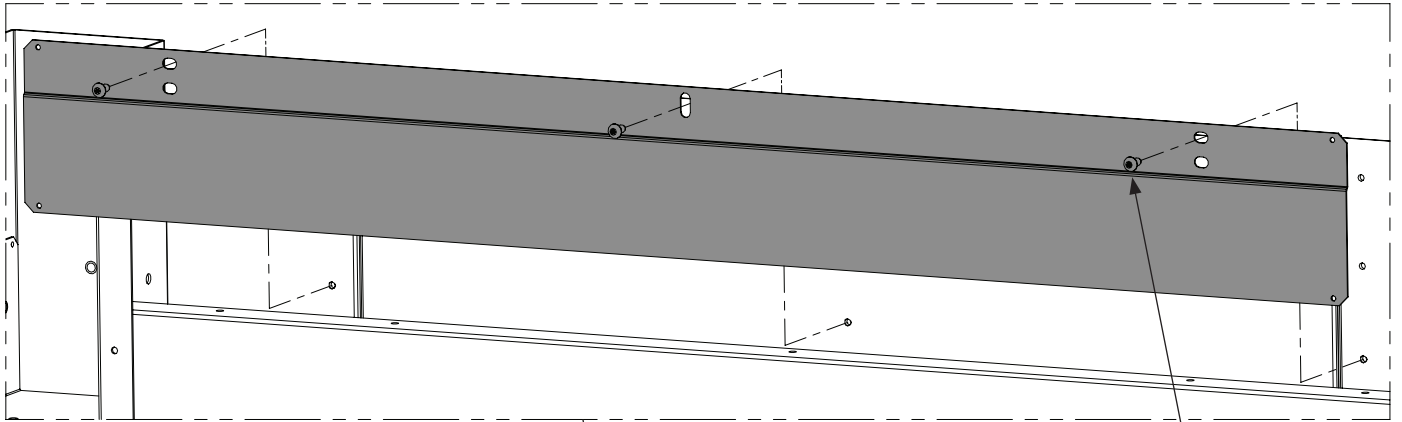
Attaching Panel with End Cap Clamps

- Install the panel into the lip of the End Cap Base Assembly.
- Raise then lower the lip of the End Cap Header Assembly over the Panel. Tighten the screws.
- Finish securing the Panel with (2) End Cap Clamps and screws.

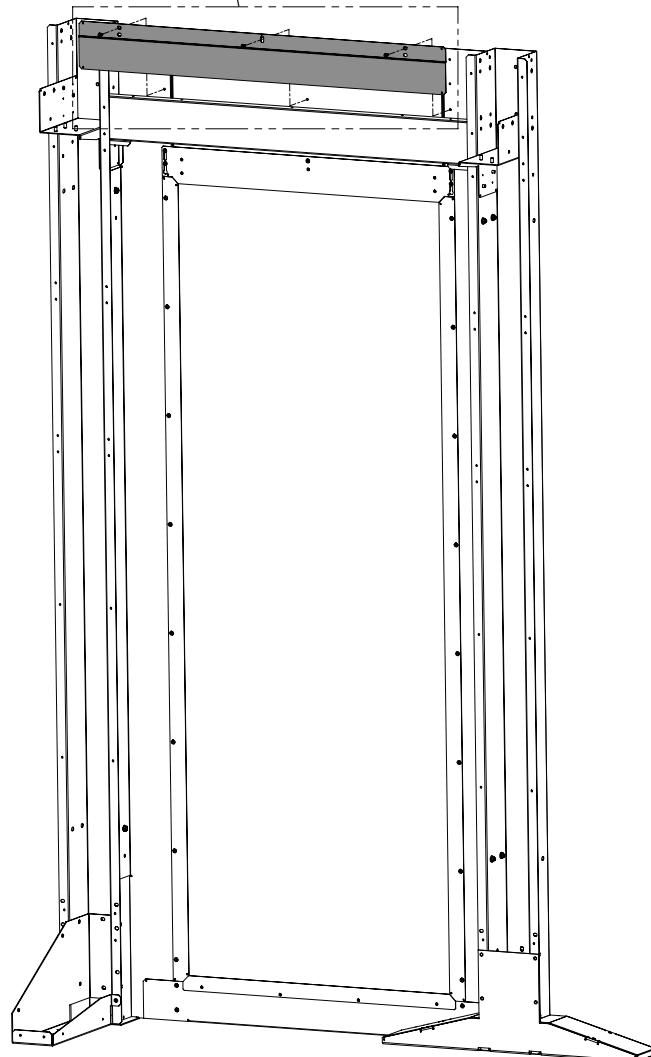


Attaching End Cap Shield

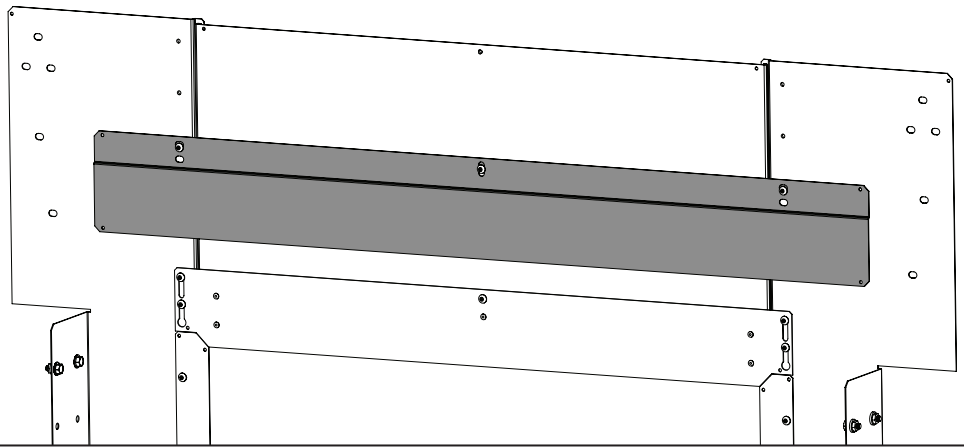
- Orientation and Location of the End Cap Shield differs depending on what RU height is being installed.
- See next page for views of End Cap Shield installed at the different RU heights.



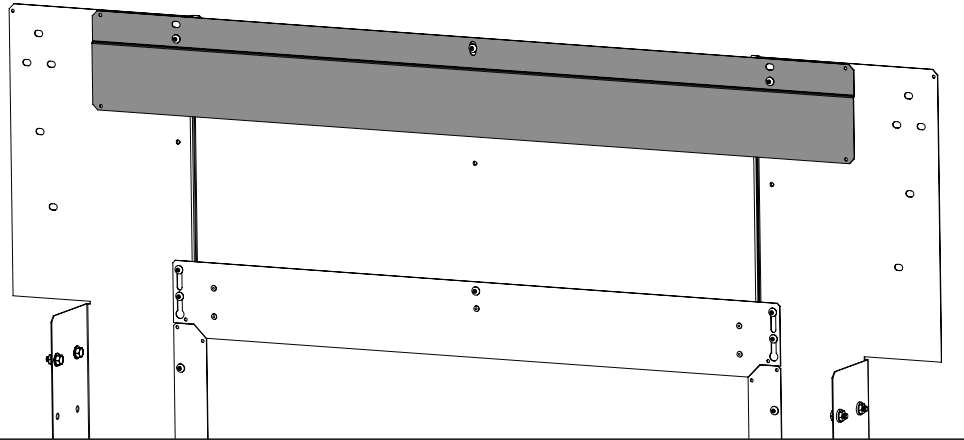
M5 x 0.8 x 12mm
Button Head Torx Drive Serrated
Trilobular Screw w/ Dog Point
3 places



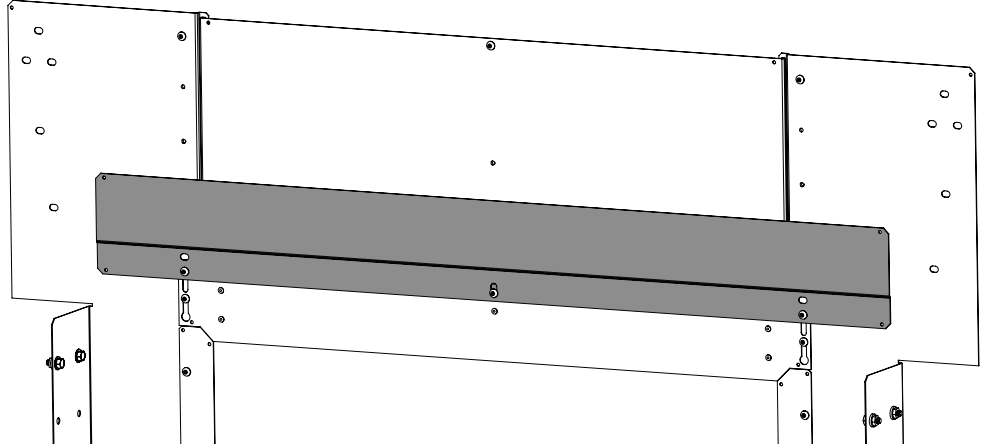
End Cap Shield installed
in 42RU position
Some components removed
from view for clarity



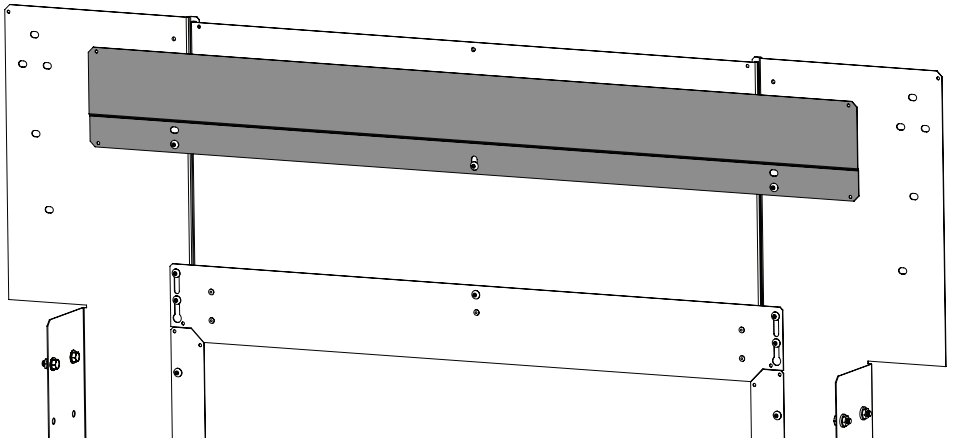
End Cap Shield installed
in 45RU position
Some components removed
from view for clarity



End Cap Shield installed
in 48RU position
Some components removed
from view for clarity



End Cap Shield installed
in 52RU position
Some components removed
from view for clarity



SECTION 8

Installation of the USRC Blanking Panels

Part Number(s)

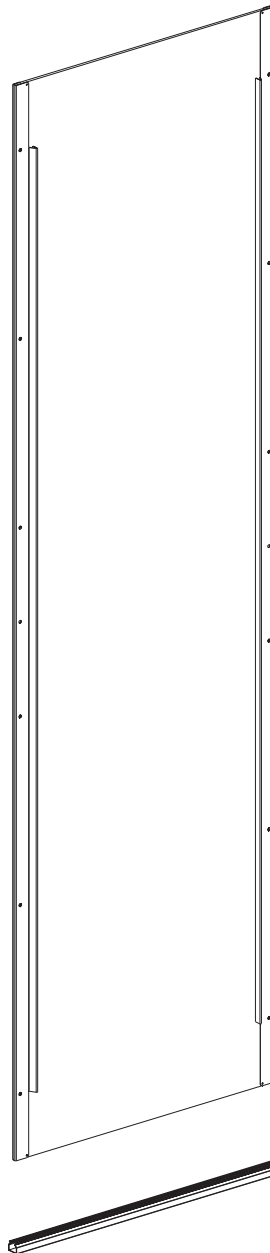
CUFBPR4206HB**

CUFBPR4506HB**

CUFBPR4806HB**

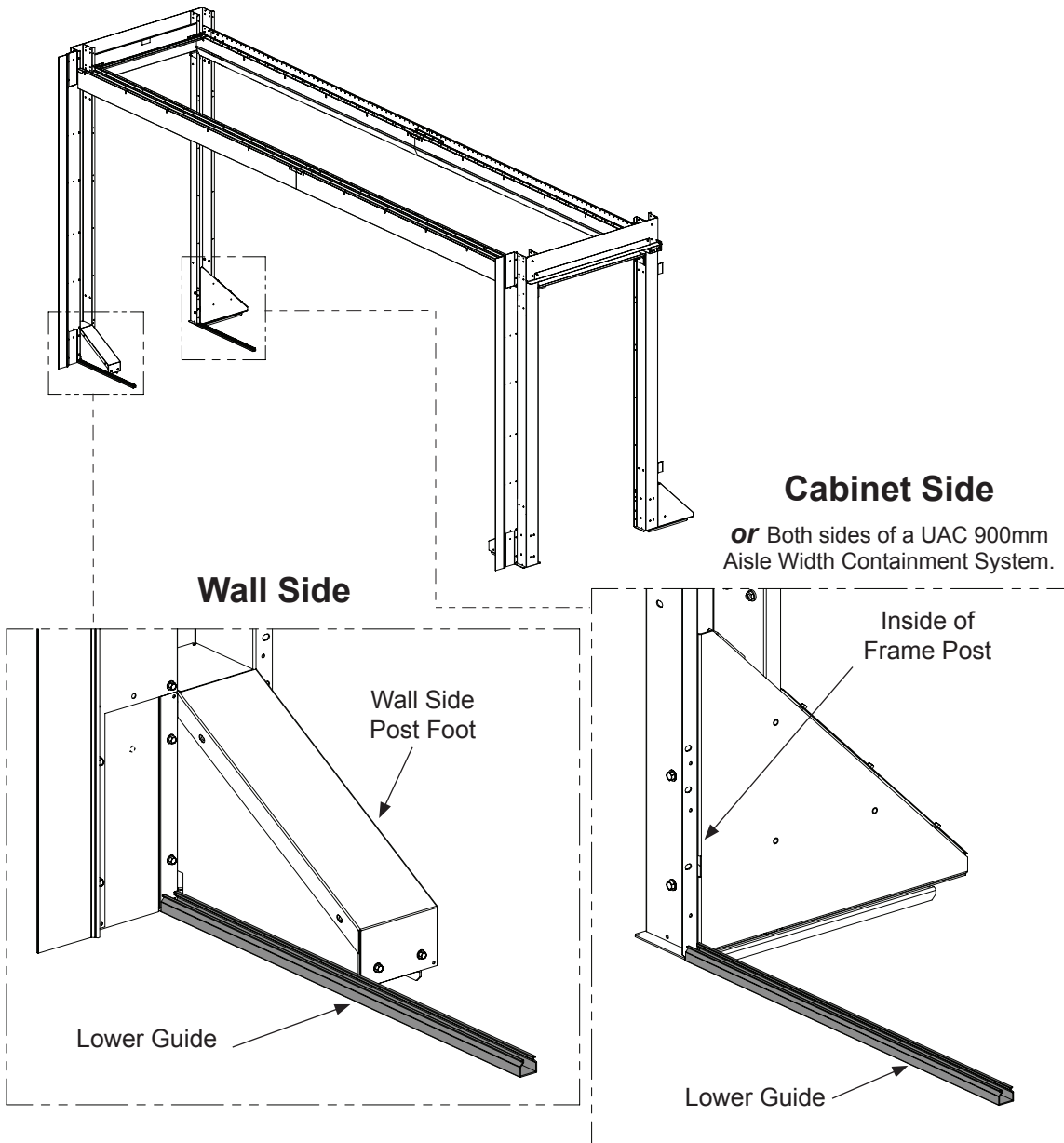
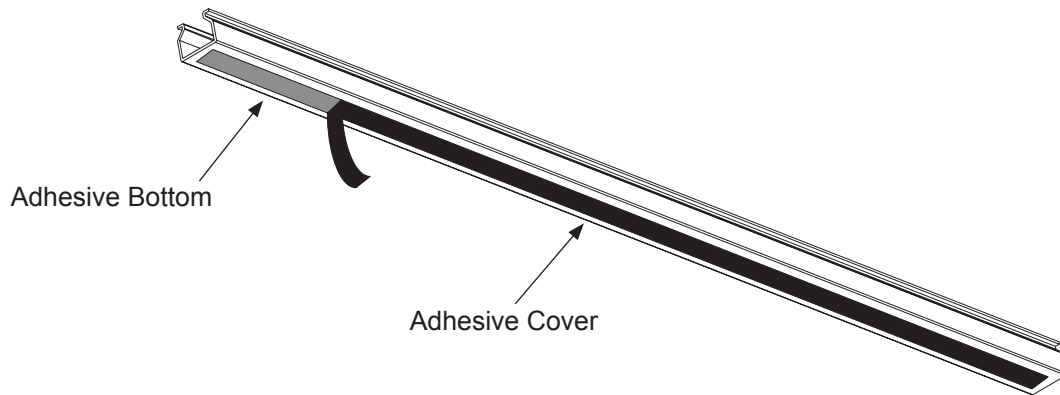
CUFBPR5206HB**

CUTBPR0610HBN1**



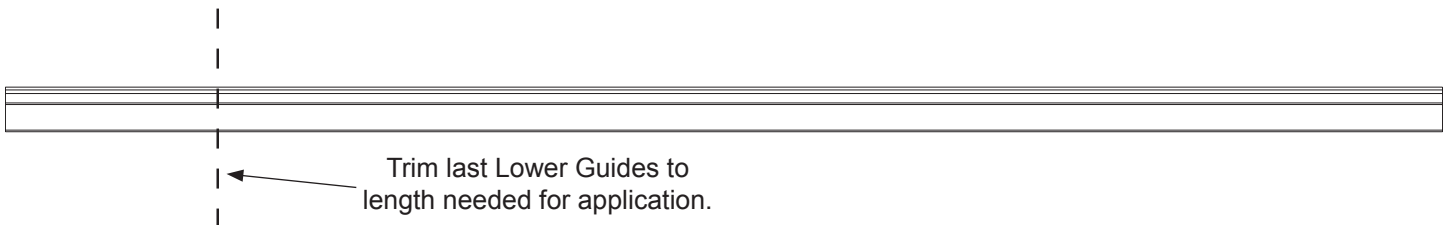
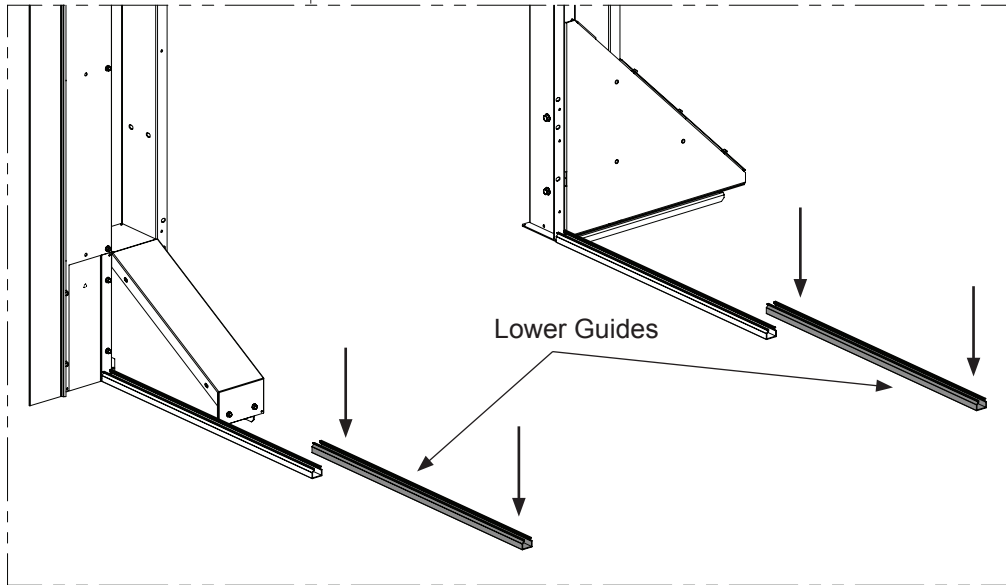
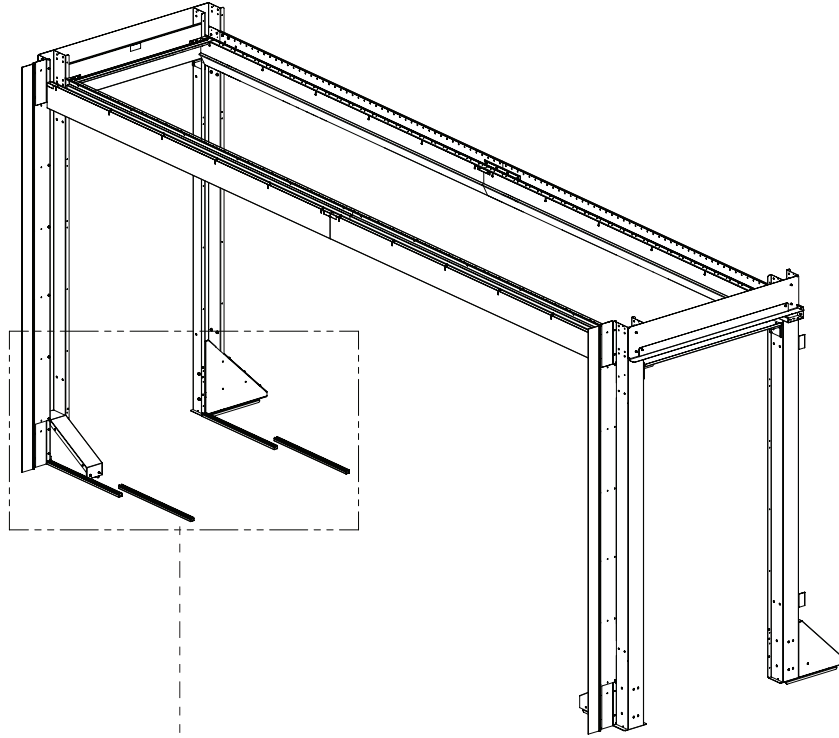
Placement of first Lower Guides

- Remove adhesive cover from the adhesive strip on the bottom of the Lower Guide.
- For wall side - Attach the Lower Guide along the Post Foot on the side of the wall.
- For cabinet side - Attach the Lower Guide against the inside of the Frame Post.



Placement of additional Lower Guides

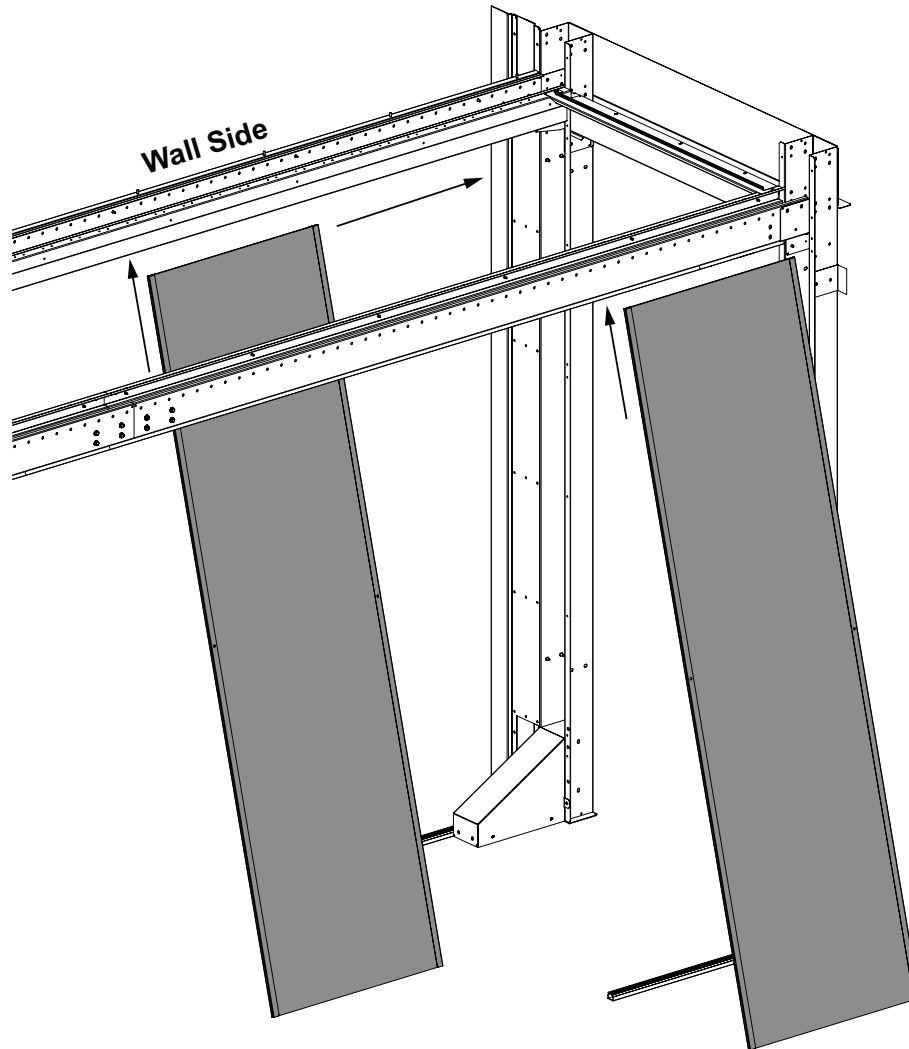
- Place each additional Lower Guide end to end to the other side of the Containment.
- Trim last Lower Guide to length needed for application.



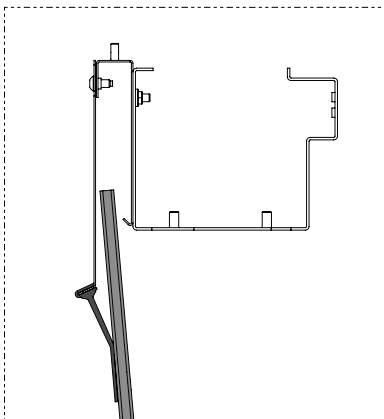
Installing Blanking Panels

- For cabinet side - With the Blanking Panels on a slight angle, insert the top of the Blanking Panels into the gap between the Wall Beam and the Wall Beam Clamp with Flap Seal.
- For wall side - With the Blanking Panels on a slight angle, insert the top of the Blanking Panels into the gap between the Wall Beam and the Wall Beam-to-Wall Clamp with Flap Seal. The first Blanking Panel on the wall side will have to be installed away from the Post Foot, then slid in to the Post.
- Rotate Blanking Panels and let the Blanking Panels slide down into the Lower Guides.

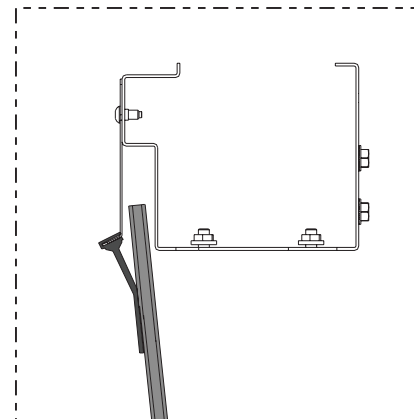
①



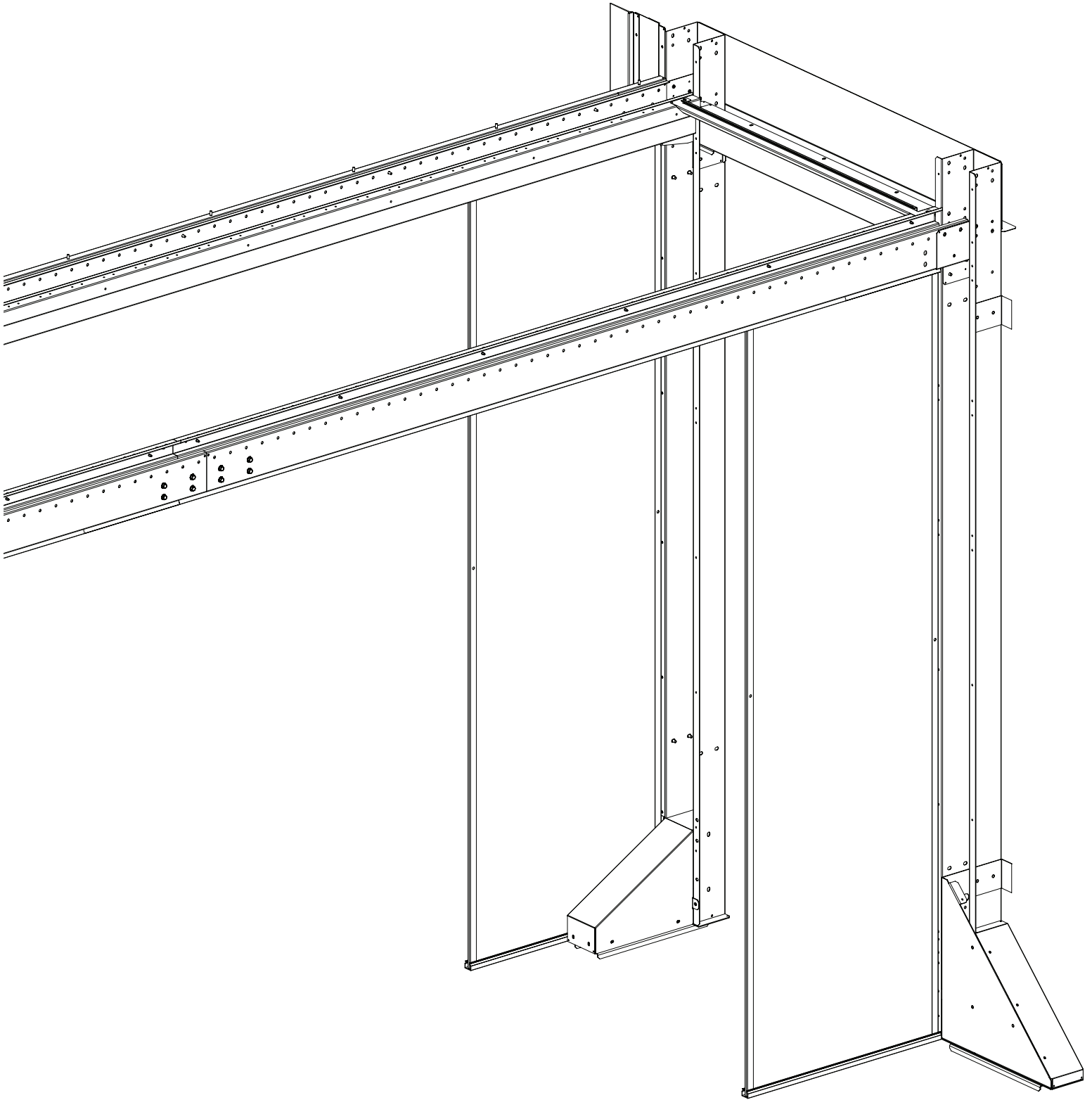
Wall Side Profile



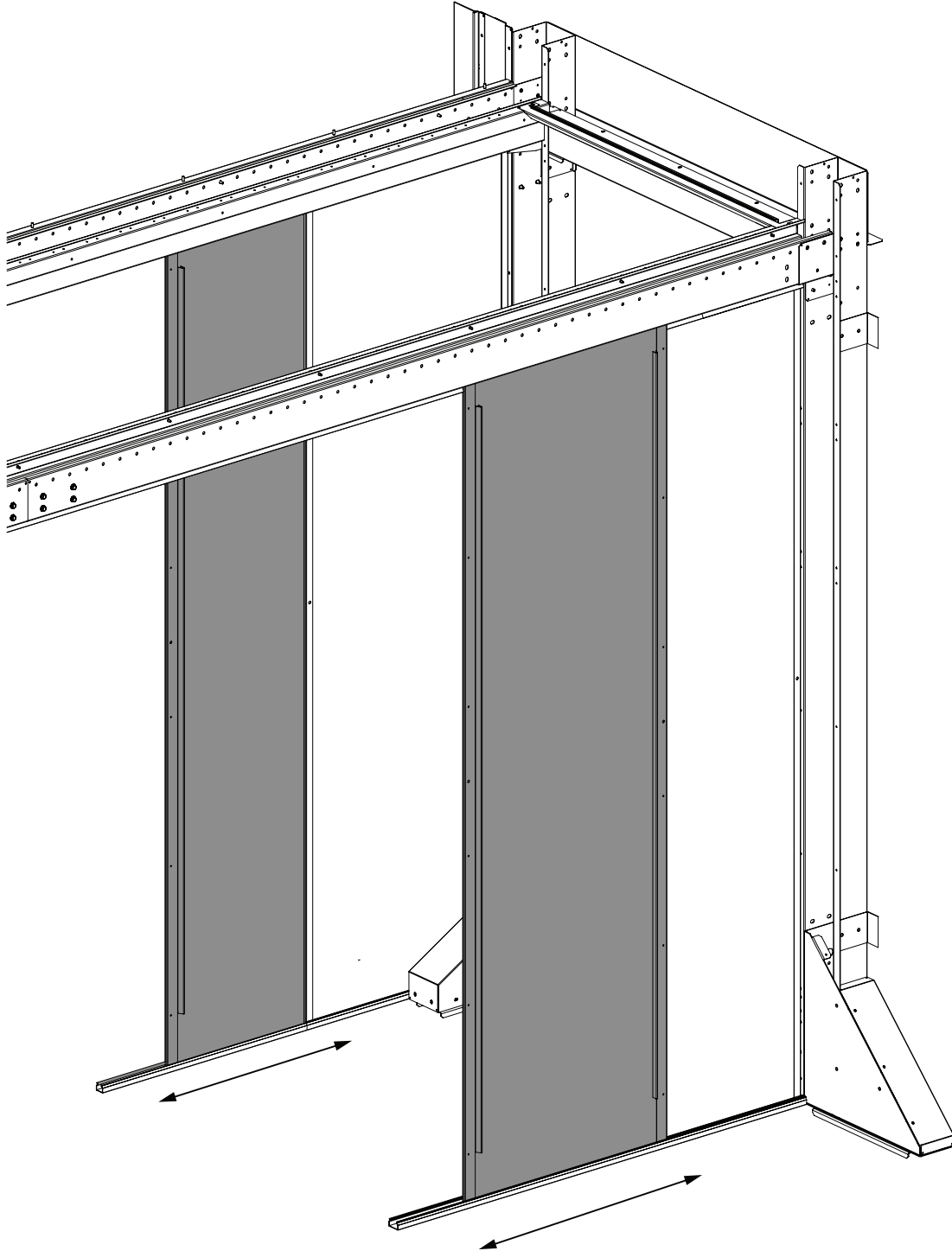
Cabinet Side Profile



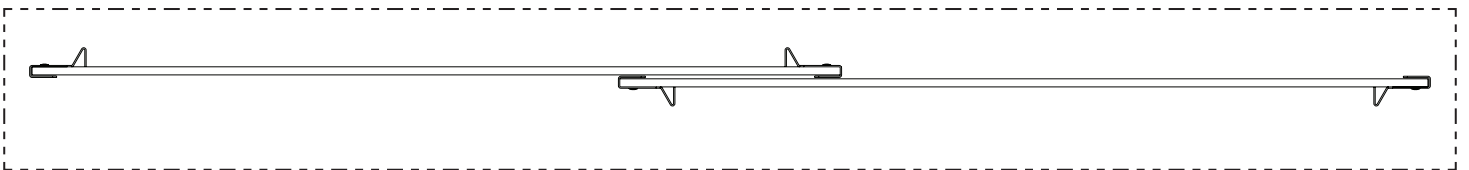
2



Overlapping Blanking Panels



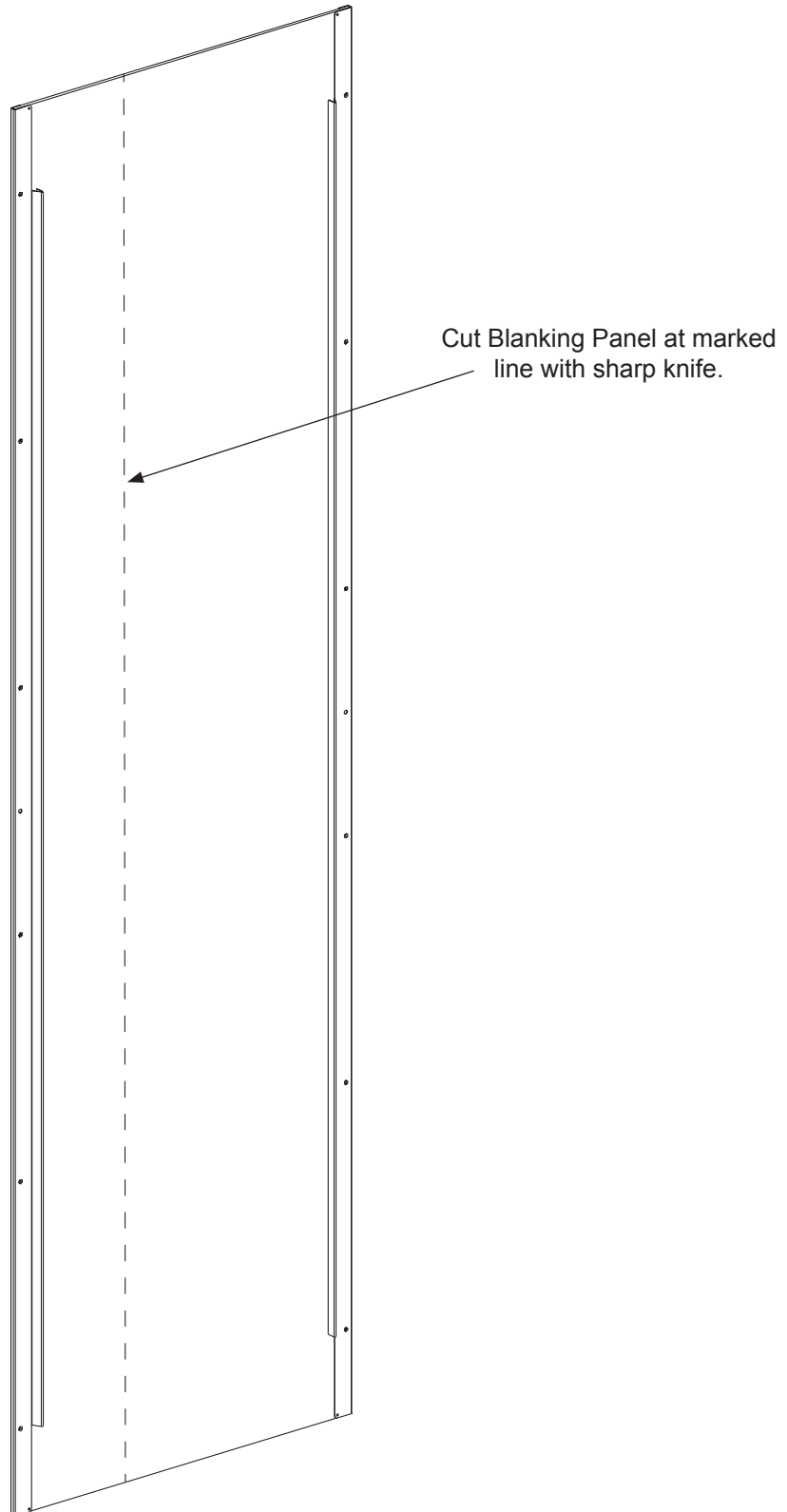
Top View of Overlapping Blanking Panels



For Technical Support: www.panduit.com/resources/install_maintain.asp

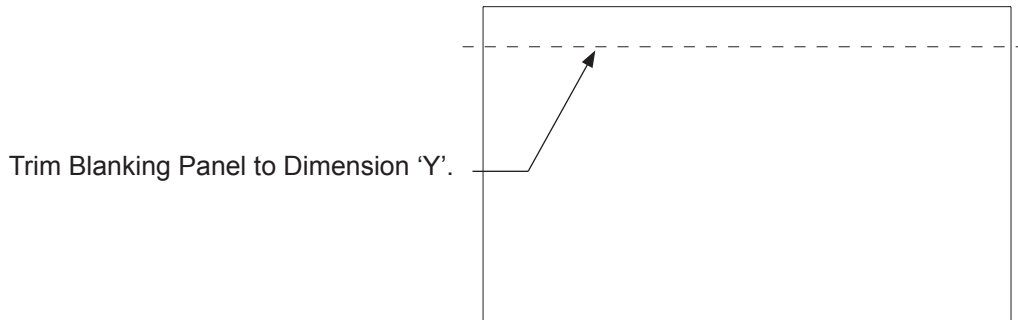
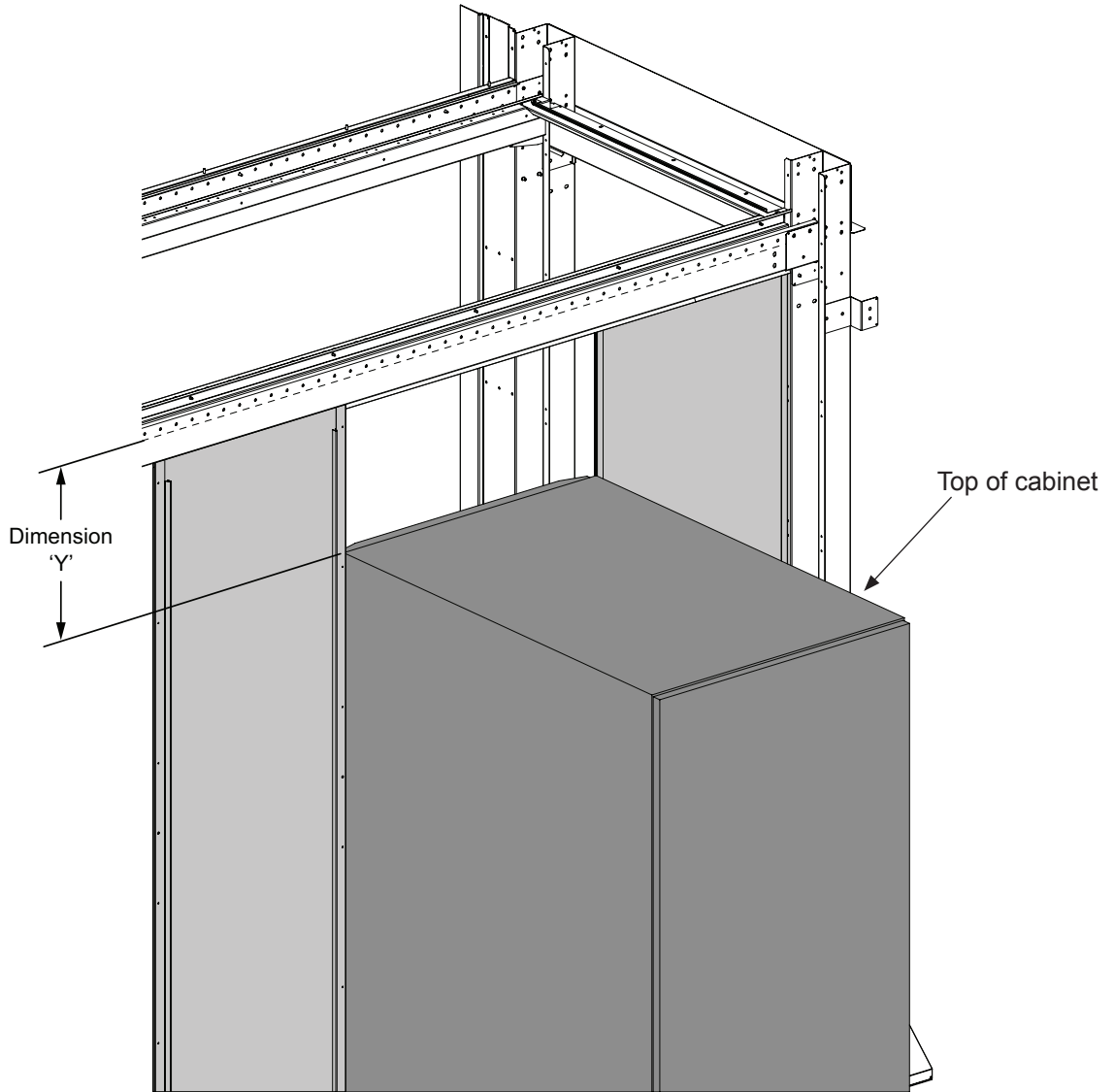
Cutting Blanking Panels

- Blanking panels must be cut to fill gaps that are smaller than 600mm.
- Measure what width is needed and mark on Blanking Panel using a straight edge.
- Cut Blanking Panel on line using a straight edge and sharp knife.



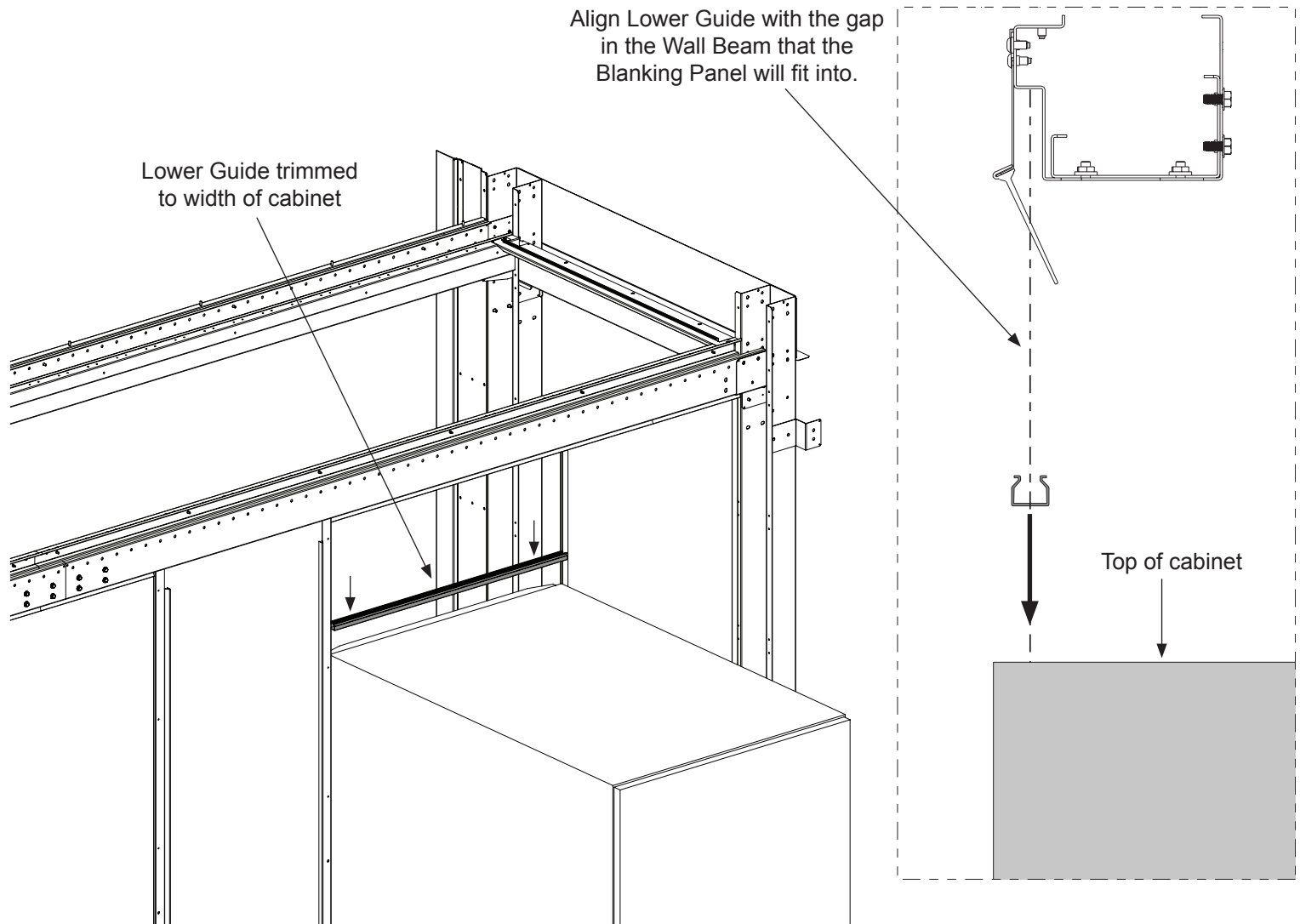
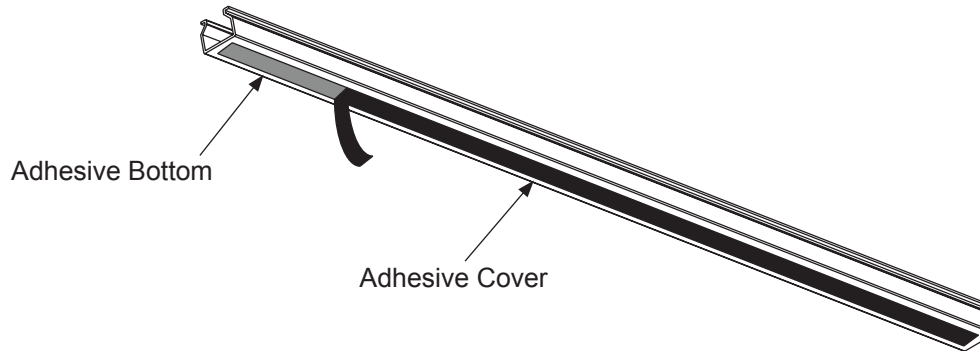
Cutting Blanking Panels for above cabinet

- Measure from top of cabinet up into the gap of the Wall Beam to determine Dimension 'Y'.
- Trim the Blanking Panel to match Dimension 'Y'.



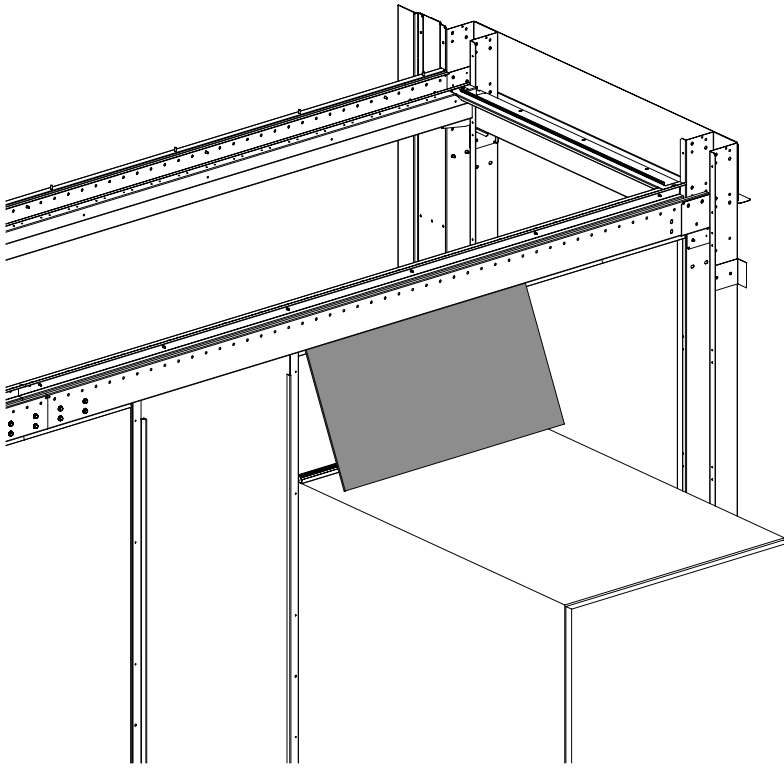
Placement of Lower Guides on top of cabinet

- Trim lower guide to the width of the cabinet.
- Remove adhesive cover from the adhesive strip on the bottom of the Lower Guide.
- Adhere lower guide to the top of the cabinet in alignment with the gap in the Wall Beam that the Blanking Panel will extend into.

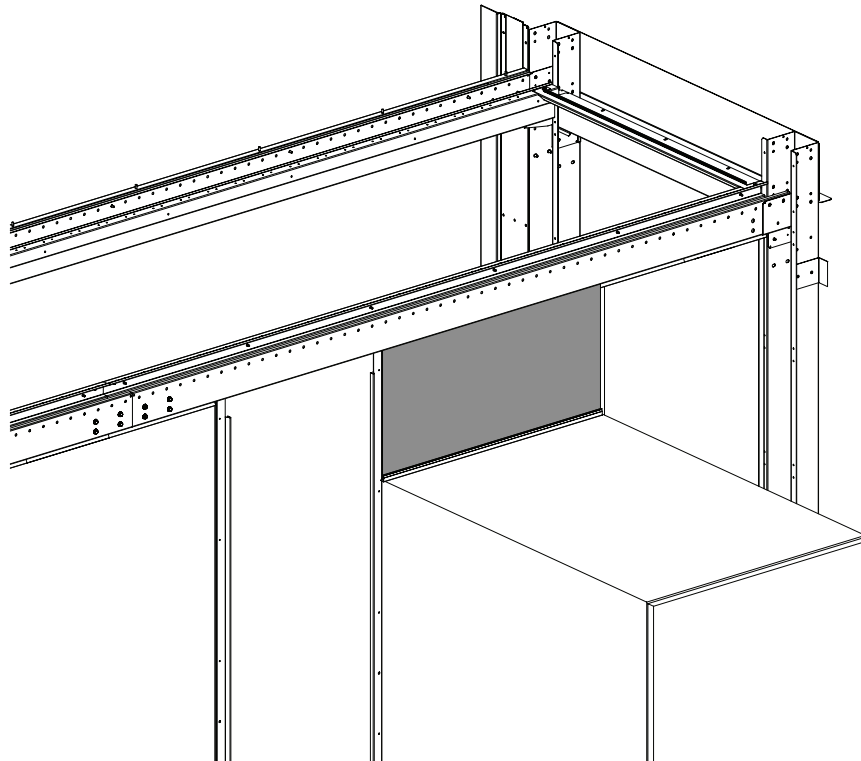
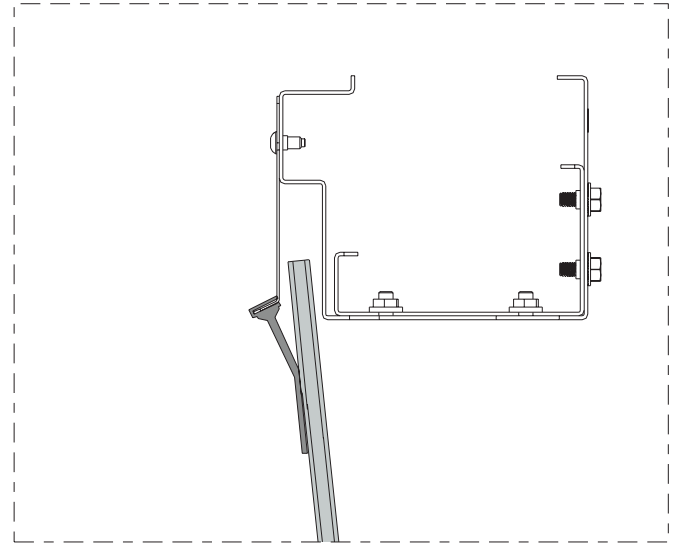


Installing the Blanking Panel above a Cabinet

- With the Blanking Panels on a slight angle, insert the top of the Blanking Panels into the gap between the Wall Beam and the Wall Beam Clamp with Flap Seal.
- Rotate Blanking Panels and let the Blanking Panels slide down into the Lower Guides.



Profile View



For Instructions in Local Languages
and Technical Support:

www.panduit.com/resources/install_maintain.asp

PANDUIT
www.panduit.com

E-mail:
techsupport@panduit.com

Phone:
866-405-6654