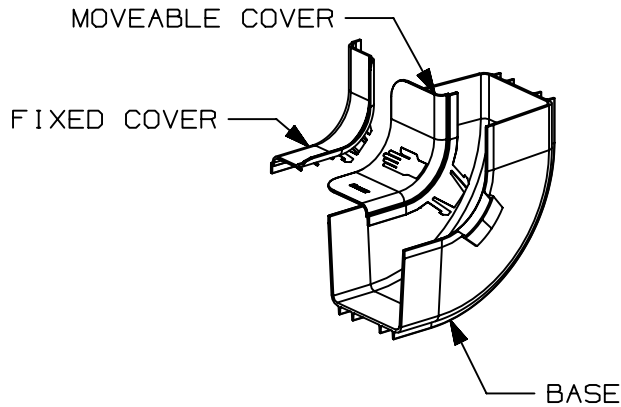


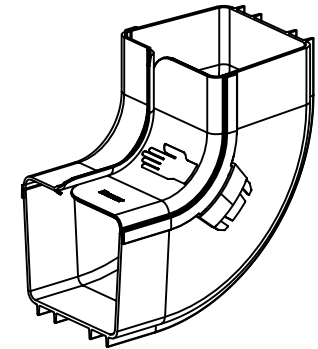
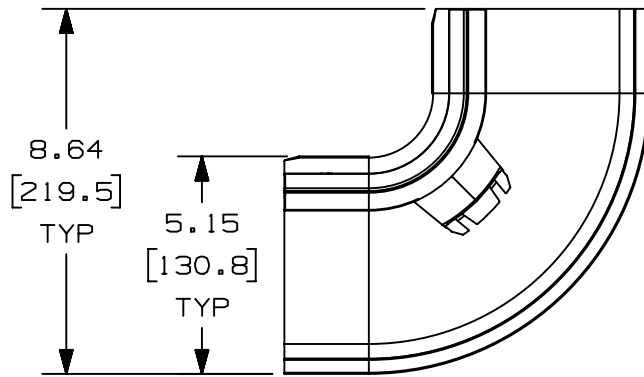
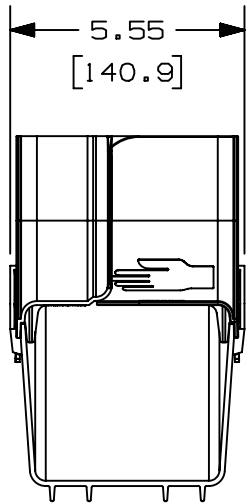
THIS COPY IS PROVIDED ON A RESTRICTED BASIS AND IS NOT TO BE USED IN ANY WAY DETRIMENTAL TO THE INTERESTS OF PANDUIT CORP.



NOTES:

1. SEE CURRENT CATALOG FOR ADDITIONAL PART SUFFIXES TO INDICATE COLOR AND/OR PACKAGE QUANTITY.
2. THE FIBERRUNNER 4x4 INSIDE VERTICAL RIGHT ANGLE FITTING IS DESIGNED WITH A MINIMUM 2" (50.8) BEND RADIUS TO PROTECT FIBER OPTIC CABLES.
3. PARTS SUPPLIED:
 (1)- INSIDE VERTICAL RIGHT ANGLE BASE
 (1)- FIXED COVER SECTION
 (1)- MOVEABLE COVER SECTION
4. DIMENSIONS IN PARENTHESES ARE IN METRIC.

PANDUIT PART NUMBER	WEIGHT	MATERIAL
FRIVRA4X4**	1.09 LB/EACH 494g/EACH	ABS
FRIVRA4X4L**	1.09 LB/EACH 494g/EACH	PC/ABS



A

A

TITLE
**FIBERRUNNER 4x4 INSIDE VERTICAL
 RIGHT ANGLE FITTING (FRIVRA4X4**, FRIVRA4X4L**)**

CUSTOMER DRAWING

ITEM REVISION NAME

D38778BJ/01

DATASET FILE NAME

D38778BJ_DC/01B

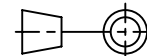
PANDUIT

MATERIAL:

SEE PART NUMBER
TABLE ABOVE

DRAWING NUMBER:

38778-10



THIRD ANGLE
PROJECTION

DRAWN BY

DATE

MSO 8/17/04

CHK

SCALE

SMF NONE

SHT 1 OF 1

SIZE

A

REV	DATE	BY	CHK	APR	DESCRIPTION	ECN
01B	8/26/20	MEX-JAGC	DWR	DWR	ADDED PART NUMBER UPDATED DRAWING BORDER & TITLE BLOCK	V09002DZ/11

D10100DA/20