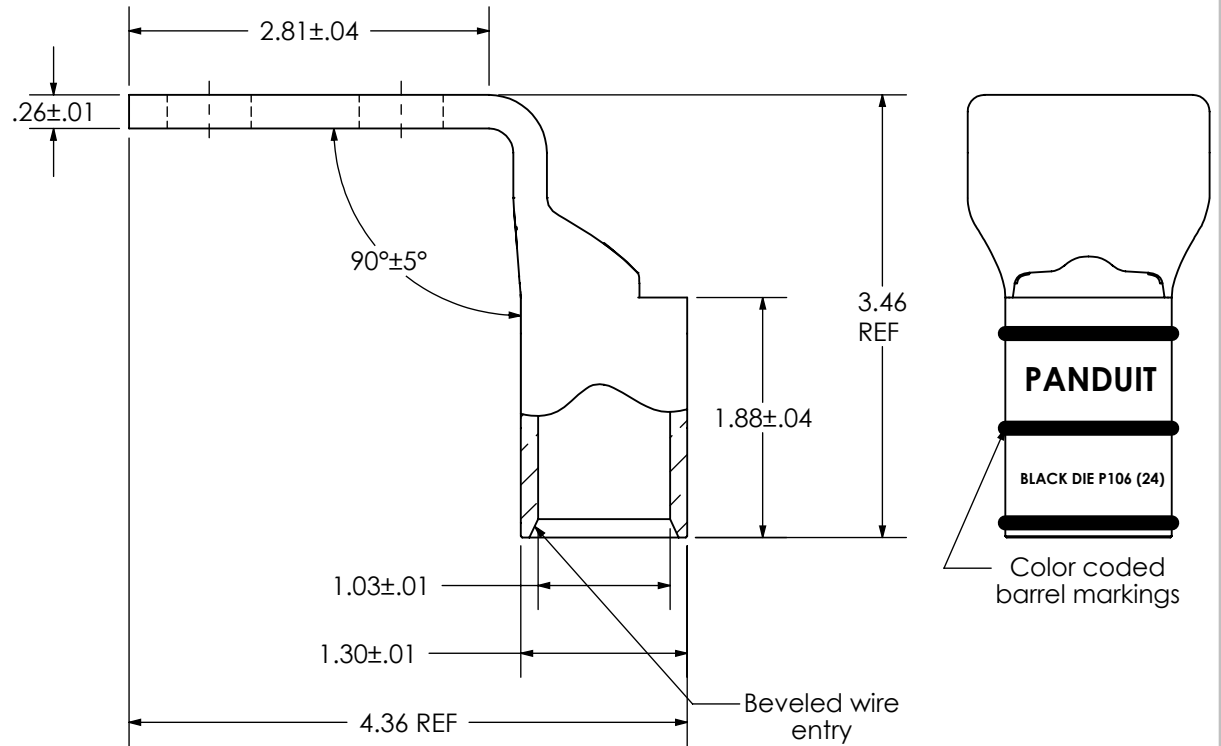
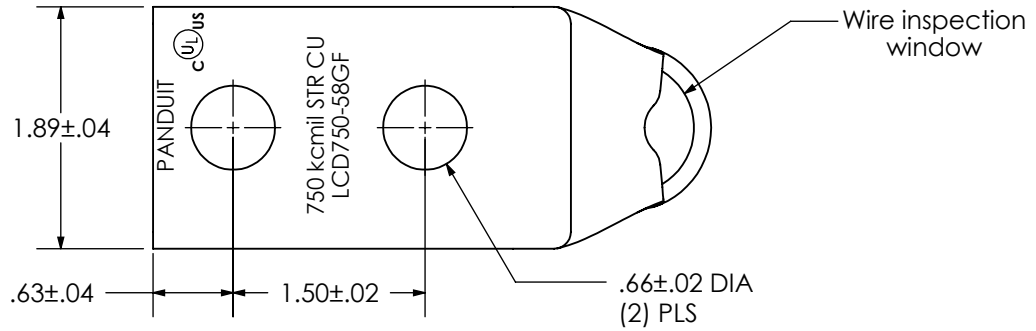


THIS COPY IS PROVIDED ON A RESTRICTED BASIS AND IS NOT TO BE USED IN ANY WAY DETRIMENTAL TO THE INTERESTS OF PANDUIT CORP.

| | |
|--|--|
| Material | High Conductivity Seamless Copper Tube |
| Plating | Electro-Tin |
| Wire Size | 750 kcmil |
| Wire Type | Stranded Copper; Class B: Compact, Compressed or Concentric, Class C: Concentric |
| Wire Strip Length | 1-15/16 in. |
| Stud Size | 5/8 in. |
| UL Listed Wire Connector | Yes, for applications up to 35kv. Consult cable manufacturer for voltage stress relief instructions with applications greater than 2000 volts. |
| UL Temperature Rating | 90° C |
| C.S.A Certified Wire Connector | N/A |
| Panduit Color Code on Barrel | BLACK |
| Panduit Die Index No. on Barrel | P106 |
| Alternate Industry Die Index No. () on Barrel | (24) |



| | | | | | |
|-----|------|------|------|------------------|--------|
| 00 | 6/17 | JHNU | JHNU | | |
| REV | DATE | BY | CHK | DESCRIPTION | ECN |
| | | | | DRAWING RELEASED | 022679 |

PANDUIT CORP. TINLEY PARK, ILLINOIS

LCD750-58GF-6
Copper Lug - Two-Hole, Standard Barrel, 90° Angle Tongue

SCALE N/A DRAWING NO / CAD FILE LCD750-58GF-CUST