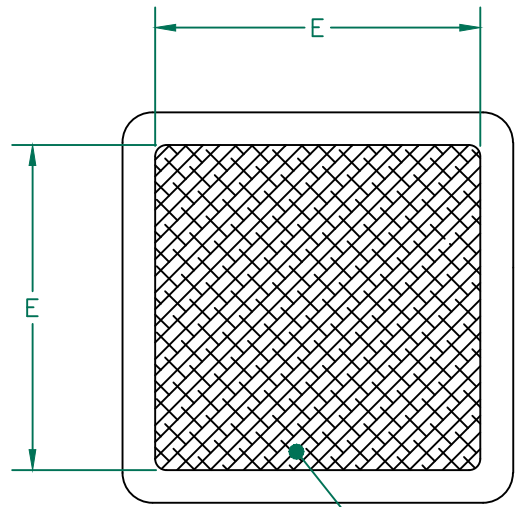


R 2.00 [.080]
4 PLCS



ADHESIVE TAPE



NOTES:

1. CORE: MP1040-1B0.
2. ADHESIVE: P/N 21228.
3. REFERENCE 3M TAPE 468MP ADHESIVE TRANSFER TAPE OR ENGINEER APPROVED ALTERNATIVE.
4. COSMETIC SPECIFICATION REFER TO WI-QA-038.

DIMENSIONS:

A	26.42 [1.040]	± 0.38 [.015]
B	26.42 [1.040]	± 0.38 [.015]
C	1.27 [.050]	± 0.15 [.006]
D	0.13 [.005]	TYP.
E	21.97 [.865]	TYP.

WEIGHT/1000 4.36 kgs [9.62 Lbs]

DIMENSIONS ARE IN mm [INCHES].				This print is the property of Laird Tech. and is loaned in confidence subject to return upon request and with the understanding that no copies shall be made without the written consent of Laird Tech. All rights to design or invention are reserved.			
H	UPDATE THE LOGO	06/19/15	QIU				
G	CHANGE D DIMENSION	07/09/09	JRK				
F	REMOVE PULLTAB REVISE NOTE #3	06/12/09	JRK				
E	UPDATE COMPANY LOGO & NOTE 3	12/11/08	JRK				
D	STANDARDIZE PRINT FORMAT	09/22/05	JRK				
C	RE-ACTIVATE PRINT UPDATE PRINT FORMAT, ADD NOTE	09/27/04	JRK	PROJECT/PART NUMBER: MP1040-100	REV H	PART TYPE: FERRITE PLATE	DRAWN BY: DTR
B	UPDATE PRINT FORMAT, REVISED NOTES CHANGED DIM E, ADD NOTE 9 & CALL-OUT	08/25/99	JAJ	DATE: 02/11/98	SCALE: 2 : 1	MATERIAL: Ferrite	
A	ORIGINAL DRAFT	02/11/98	DTR	CAD # MP1040-100-H	TOOL # P1040		
REV	DESCRIPTION	DATE	INT				