

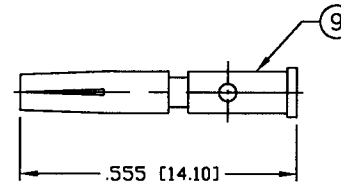
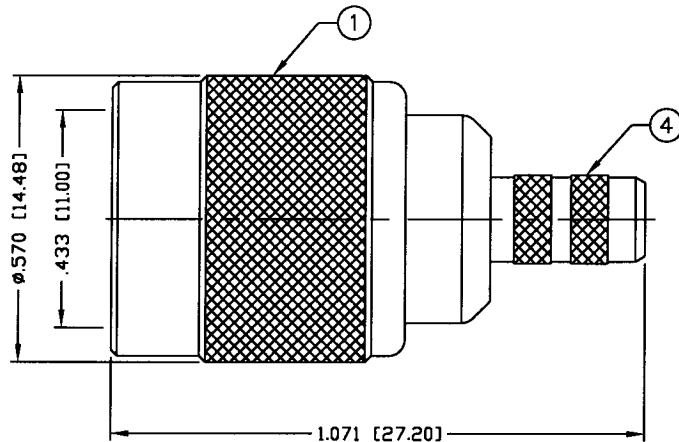
THIS DRAWING CONTAINS INFORMATION PROPRIETARY TO RF INDUSTRIES,  
 ANY UNAUTHORIZED USE OF THIS DRAWING IS EXPRESSLY PROHIBITED  
 WITHOUT WRITTEN PERMISSION FROM RF INDUSTRIES.  
 ANY VIOLATION IS PUNISHABLE UNDER U.S. COPYRIGHT LAWS.

ALL DIMENSIONS ARE REFERENCE ONLY

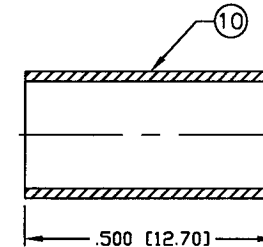
PART NO.

**RP-1202-C2**

REV	DESCRIPTION	DWN	DATE	APPROVED
-	ENGINEERING RELEASE	CZS	12/29/00	JDMc



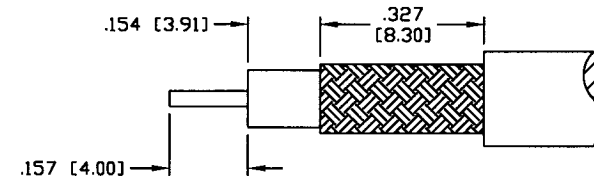
RECOMMENDED CRIMP DIE: .068"



RECOMMENDED CRIMP DIE: .213"

**SPECIFICATIONS:**

IMPEDANCE: 50 Ohms  
 FREQUENCY RANGE: 0-7 GHz  
 WORKING VOLTAGE: 500 V rms @ sea level  
 INSULATION RESISTANCE: 5k M ohms min.  
 TEMPERATURE RANGE: -65°C TO +85°C  
 FOR TIMES LMR-200, ALPHA 9848 & MSI-22



RECOMMENDED STRIPPING DIMENSIONS

#	DESCRIPTION	QTY	MATERIAL	FINISH	APPROVALS	DATE
1	SHELL	1	BRASS	NICKEL, 100μ"	008974	4/2/03
2	BODY	1	BRASS	NICKEL, 100μ"		
3	INSULATOR	1	PTFE	---		
4	FERRULE STUD	1	BRASS	NICKEL, 100μ"		
5	GASKET	1	RUBBER	---		
6	RETAINING RING	1	BRASS	NICKEL, 100μ"		
7	RING	1	DELTRIN	---		
8	WASHER	1	BRASS	NICKEL, 100μ"		
9	CONTACT	1	PHOS. BRONZE	GOLD, 3μ"		
10	FERRULE	1	BRASS	NICKEL, 100μ"		
11						
12						
13						
14						

DRAWN	C. ZUNIGA	4/2/03
CHECKED	JDMc	4/2/03
ORJ DRAWN	C. ZUNIGA	4/2/03

UNLESS OTHERWISE SPECIFIED:  
 1. REMOVE ALL BURRS  
 2. BREAK ALL CORNERS & EDGES .005 R. MAX.  
 3. CHAMFER 1ST & LAST THREADS 45°  
 4. SURFACE ROUGHNESS 63 FINISH MIL-STD-10  
 5. DIAMETERS ON COMMON CENTERS TO BE CONCENTRIC WITHIN .002 T.I.R.  
 6. ALL DIMENSIONS ARE AFTER PLATING.

DIMENSIONS ARE IN INCHES AND [MILLIMETERS]  
 UNLESS OTHERWISE NOTED TOLERANCES ARE:  
 DECIMALS      DIAMETER  
 .xxx±.003 [.08]      .xxx±.001 [.03]  
 .xx±.005 [.13]      .xx±.003 [.08]

**RF connectors** 7610 MIRAMAR RD  
 SAN DIEGO, CA 92126  
 (858) 549-6340  
 DIVISION OF RF INDUSTRIES, LTD. (858) 549-6345 FAX

**TNC PLUG, CRIMP**

REVERSE POLARITY

SIZE	CABLE GROUP	DWG NO.	REV
A	C2	RP-1202-C2	-
SCALE: NTS		CAD FILE OUTLINE	SHEET 1 OF 1