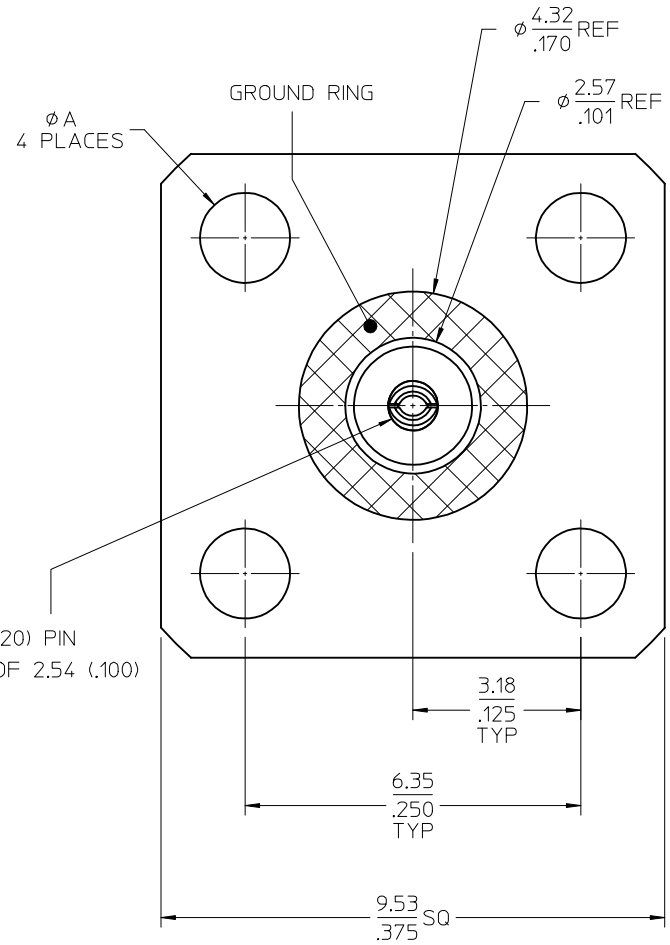
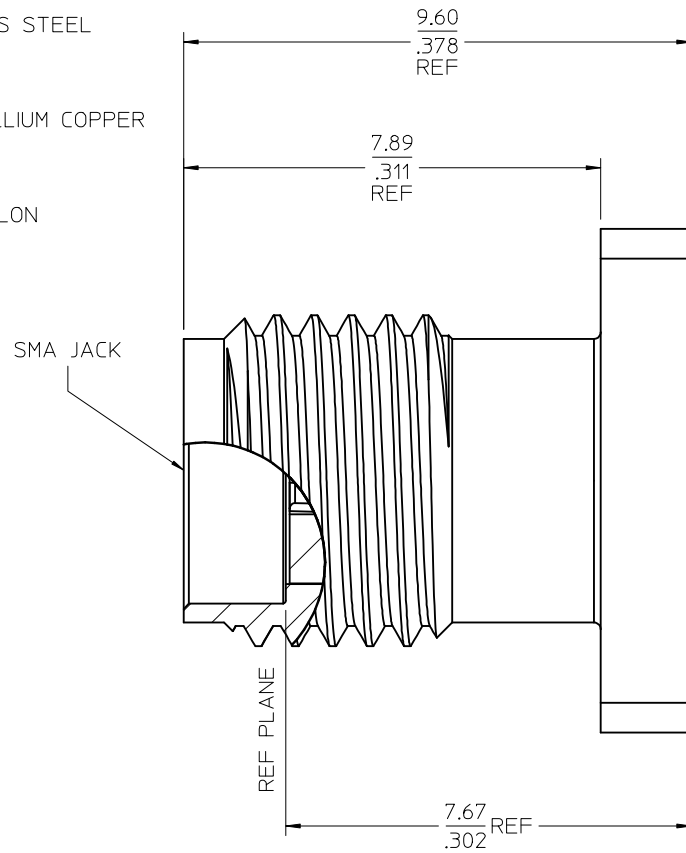


MATERIALS AND FINISHES

BODY: STAINLESS STEEL  
PASSIVATED

CONTACT: BERYLLIUM COPPER  
PLATED GOLD

INSULATOR: TEFLON



73251-0841	2.06 / .081
73251-0840	1.70 / .067
PART NO.	MM / IN
	DIM A

<p>CHG: REDREW IN SD MAX PIN DEPTH WAS .110</p> <p>EC NO: URF2013-0626 2013/05/08</p> <p>DRWN: JWIENER 2013/05/08</p> <p>CHKD: SSS 2013/05/08</p> <p>APPR: JWIENER 2013/05/09</p>	<p>QUALITY SYMBOLS</p> <p>▽=0</p> <p>▽=0</p>	<p>GENERAL TOLERANCES (UNLESS SPECIFIED)</p> <table border="1"> <thead> <tr> <th></th> <th>mm</th> <th>INCH</th> </tr> </thead> <tbody> <tr> <td>4 PLACES</td> <td>± .005</td> <td>± .0005</td> </tr> <tr> <td>3 PLACES</td> <td>± .005</td> <td>± .0005</td> </tr> <tr> <td>2 PLACES</td> <td>± .005</td> <td>± .0005</td> </tr> <tr> <td>1 PLACE</td> <td>± .005</td> <td>± .0005</td> </tr> </tbody> </table> <p>ANGULAR ± 2°</p>		mm	INCH	4 PLACES	± .005	± .0005	3 PLACES	± .005	± .0005	2 PLACES	± .005	± .0005	1 PLACE	± .005	± .0005	<p>DIMENSION STYLE</p> <p>MM/IN</p> <p>DRAWN BY: JWIENER DATE: 2013/05/08</p> <p>CHECKED BY: SSS DATE: 2013/05/08</p> <p>APPROVED BY: JWIENER DATE: 2013/05/09</p>	<p>SCALE</p> <p>DESIGN UNITS</p> <p>METRIC</p> <p>THIRD ANGLE PROJECTION</p>	<p>TITLE</p> <p>SMA JACK FIELD REPLAC. 4 HOLE FLANGE .020 PIN SMA-JR/F EWR-1594</p>
			mm	INCH																
		4 PLACES	± .005	± .0005																
		3 PLACES	± .005	± .0005																
2 PLACES	± .005	± .0005																		
1 PLACE	± .005	± .0005																		
<p>DRAFT WHERE APPLICABLE MUST REMAIN WITHIN DIMENSIONS</p>	<p>MATERIAL NO.</p> <p>SEE TABLE</p>	<p>MOLEX INCORPORATED</p>	<p>DOCUMENT NO.</p> <p>SD-73251-084</p>	<p>SHEET NO.</p> <p>1 OF 1</p>																
<p>SIZE</p> <p>THIS DRAWING CONTAINS INFORMATION THAT IS PROPRIETARY TO MOLEX INCORPORATED AND SHOULD NOT BE USED WITHOUT WRITTEN PERMISSION</p>																				
<p>REV</p> <p>A2</p>																				