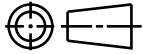
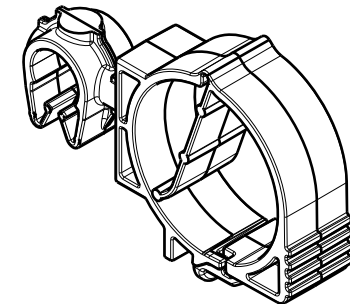
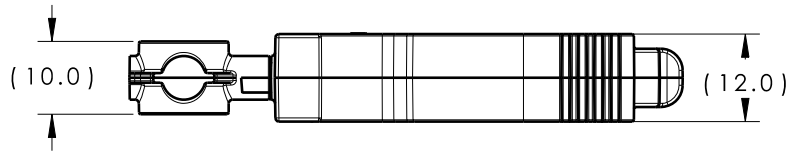


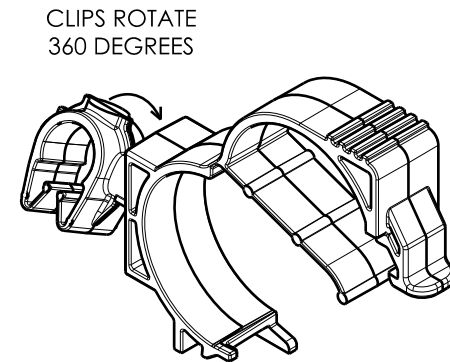
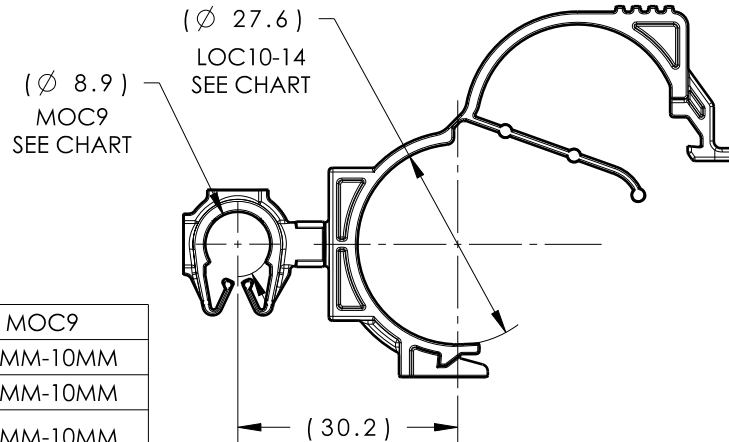
CATIA V5



Revision Level			Revision Record	Changed	Date	Approved	Date
Drawing	State	Part					
00.0	Design Release	-	SEE ECN# 014970	JMC	03/22/19	EJH	03/22/19



ISOMETRIC VIEW  
CLOSED



CLIPS ROTATE  
360 DEGREES

ISOMETRIC VIEW  
OPEN

TYPE	MOC9
HARNESS	8.5MM-10MM
HOSE	8.0MM-10MM
HARD PIPE/TUBE	9.0MM-10MM

\*RECOMMENDED SIZES MAY DIFFER DEPENDING ON THE APPLICATION, PRODUCT, REQUIRMENTS AND MATERIALS USED

\*\*PATENT PENDING 29/582,271

GLOBAL PART DESCRIPTION	MOC9**			LOC20-25		
	DRAWING	MATERIAL	COLOR	DRAWING	MATERIAL	COLOR
MOC9FLOC20-25-PA66HIRHSUV-BK	16-0317-001-CSU	PA66HIRHSUV	BLACK	12-0631-051-CSU	PA66HIRHSUV	BLACK

Material SEE CHART COLOR: SEE CHART	Units	millimeters	The copyright of this drawing is reserved by HellermannTyton. It is issued on condition that it is not reproduced, copied or disclosed to a third party, either wholly or in part, without the consent of HellermannTyton.	Drawn	JMC	03/22/19	Article/Type-No MOC9FLOC20-25	Scale	1:1				
	Tolerance defined on each dimension	Approved		EJH	03/22/19	Title 9MM MOC COUPLED TO 20-25MM LOC		Project Number	16-0327				
		<b>HellermannTyton</b>						Drawing-No	PRODUCTION : Phase	Format	AH		
								North America Email: corp@htamericas.com Web: www.hellermann.tyton.com					