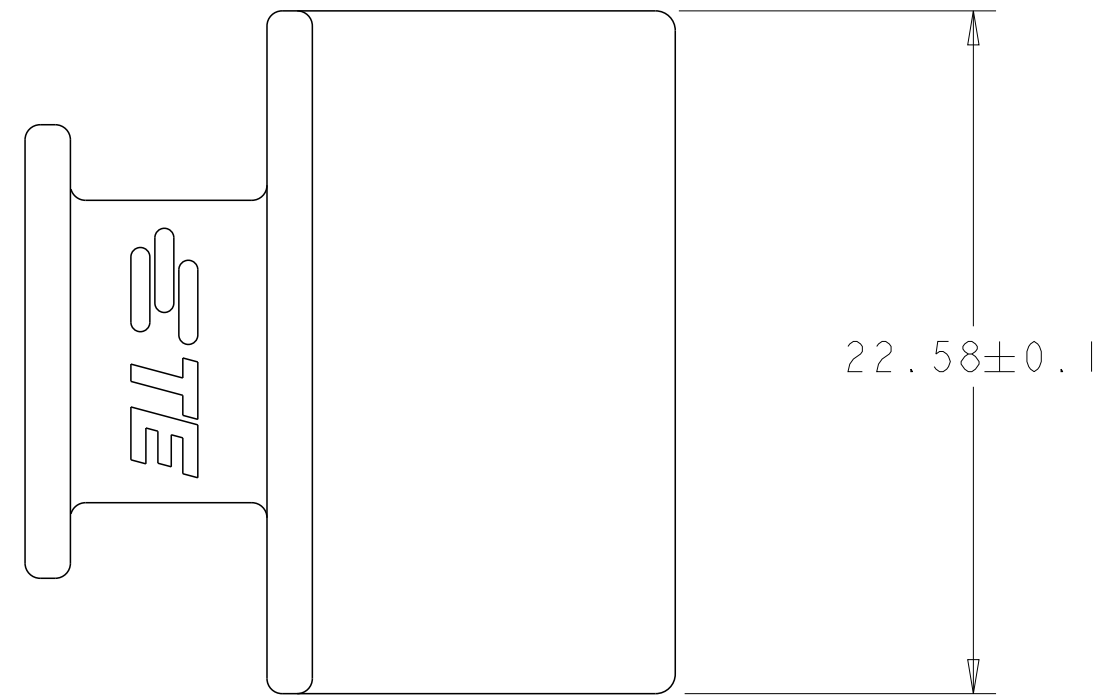
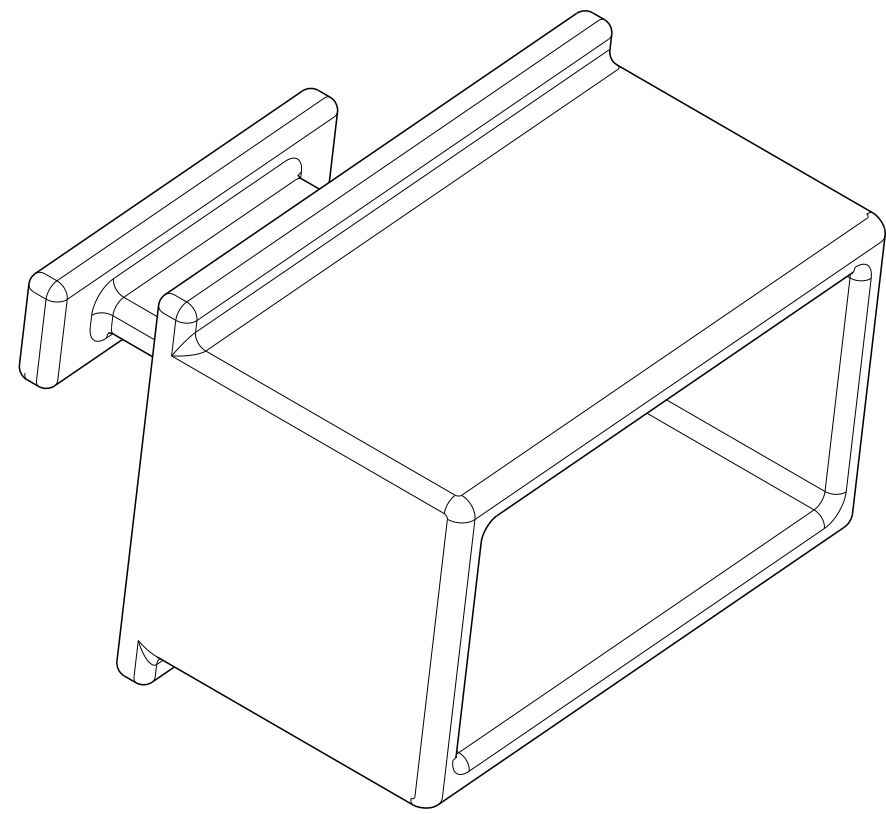
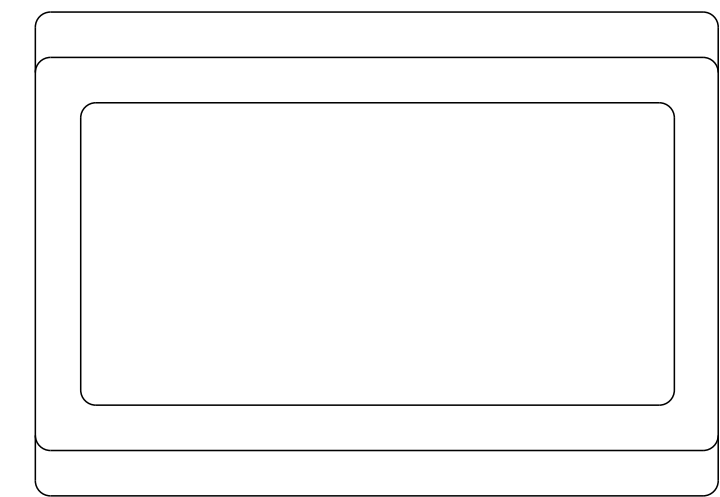
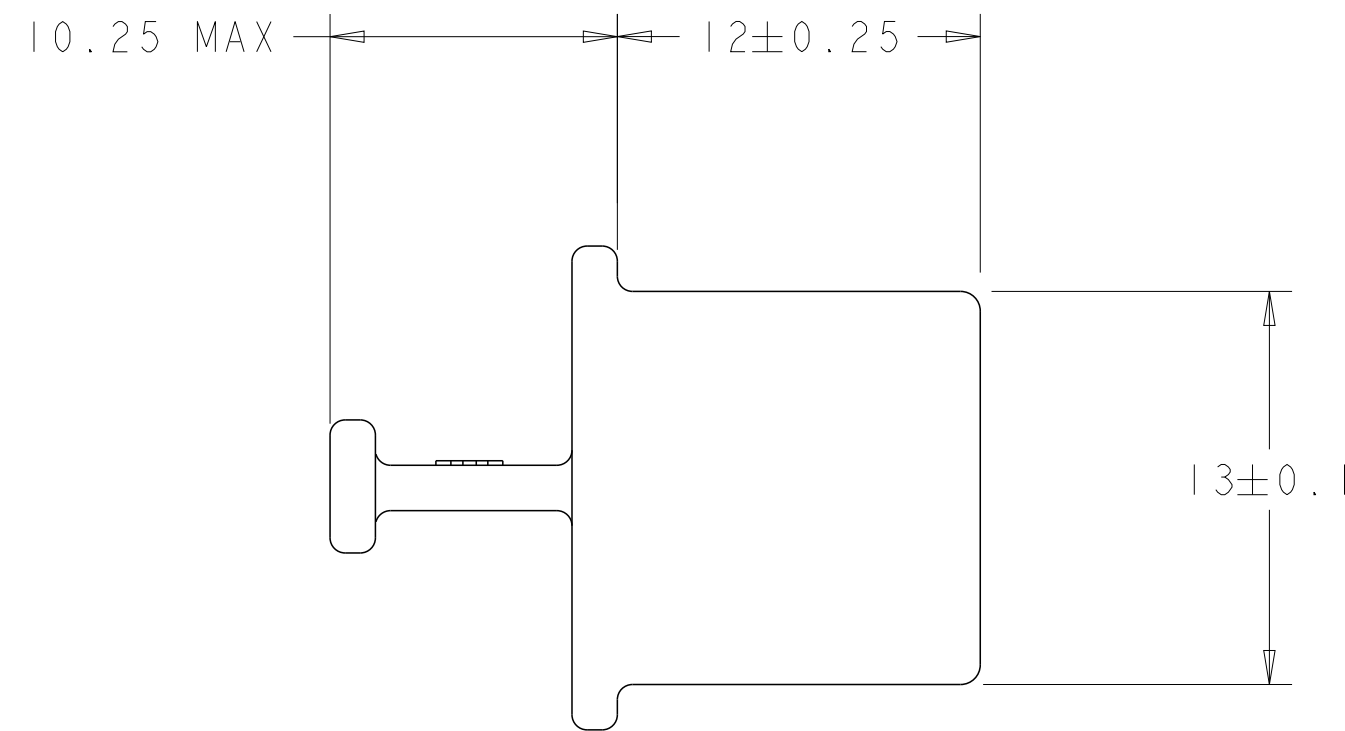
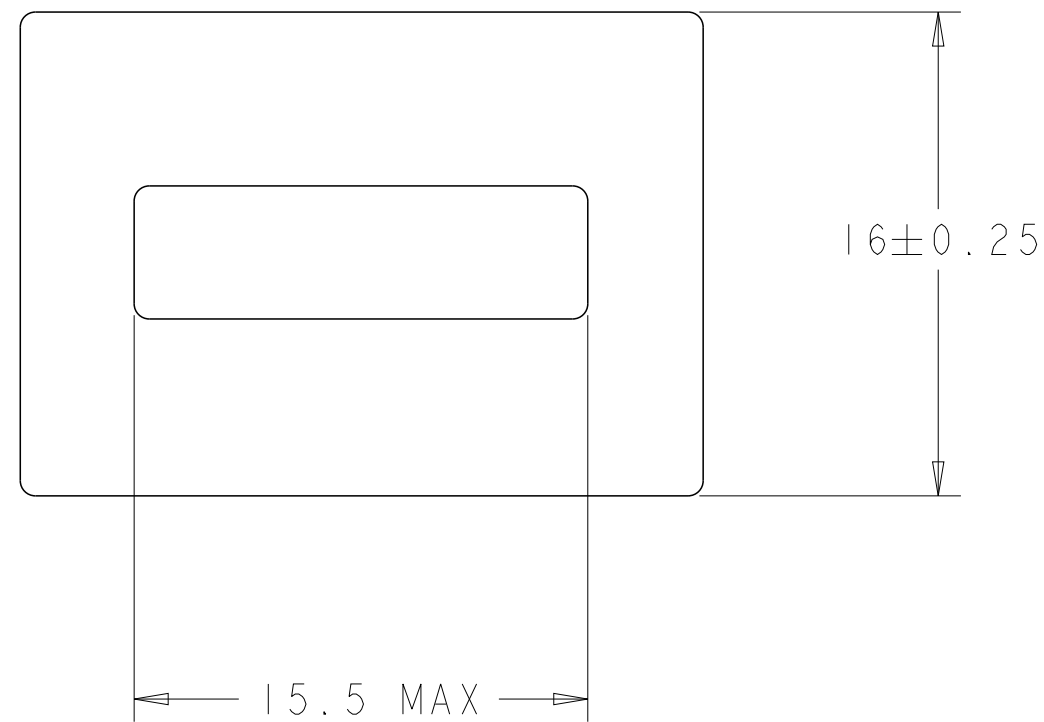


THIS DRAWING IS UNPUBLISHED. RELEASED FOR PUBLICATION 2017
 © COPYRIGHT 2017 BY - ALL RIGHTS RESERVED.


REVISIONS					
P	LTR	DESCRIPTION	DATE	DWN	APVD
A		RELEASED PER ECO-18-008361	29MAY2018	CJV	EDB
B		REVISED PER ECO-18-010531	05JUL2018	CJV	EDB
B2		REVISED PER ECN-22-181135	21OCT2022	ES	SZ



- 1. MATERIAL: ABS, BLACK.
- 2. FLAMMABILITY RATING: UL 94 V-0.



2324698-1
 PART NUMBER

THIS DRAWING IS A CONTROLLED DOCUMENT.		DWN M. SHIRK 05SEP2017	 TE Connectivity		
DIMENSIONS: mm		CHK E. BRIANT 05SEP2017			
TOLERANCES UNLESS OTHERWISE SPECIFIED:		APVD E. BRIANT 05SEP2017	NAME DUST COVER, OSFP		
0 PLC ±	1 PLC ±	PRODUCT SPEC 108-60117	RESTRICTED TO		
2 PLC ±	3 PLC ±	APPLICATION SPEC 114-130009	SIZE A2	CAGE CODE 00779	DRAWING NO C-2324698
4 PLC ±	ANGLES ±	WEIGHT -	SHEET 1 OF 1		
MATERIAL 1	FINISH	CUSTOMER DRAWING	SCALE 4:1	REV B2	